



Parts Manual

Metering Unit

evolution VR

Issue 5.8 06/06/23
Ref. NR-00014-ENG



Before installing the unit and starting it up, carefully read all the technical and safety documentation included in this manual. Pay special attention to the information to know and understand the handling and the conditions of use of the unit. All of the information is aimed at enhancing User Safety and avoiding possible breakdowns derived from the incorrect use of the unit.



WARRANTY

HI-TECH SPRAY EQUIPMENT, S. A. (hereinafter "HI-TECH") grants this Limited Guarantee to the original buyer (hereinafter the "Client") for the unit and the original accessories given with the unit (hereinafter the "Product") against any fault in the design, materials or manufacture of the Product at the time of the first purchase by the user and for a duration of two (2) years thereafter.

If during the guarantee period and under normal conditions of use, the Product should fail to work correctly due to defects of design, material or manufacture, the authorised distributor of the country where the HI-TECH Product or technical assistance service has been purchased shall repair or replace the Product in accordance with what is established in the following:

CONDITIONS

- a) The validity of this guarantee will be subject to the presentation of the original invoice issued by the HI-TECH authorised distributor for the sale of the Product along with the Product handed over for repair or replacement, which must show the date of purchase and the serial number. HI-TECH reserves the right to refuse to give the guarantee service when the indicated data fail to appear on the invoice or have been modified after the purchase of the Product.
- b) The repaired or replaced Product will continue to maintain the original guarantee for the time remaining until the end of the guarantee or for three (3) months from the repair date, if the remaining period of the original guarantee were shorter.
- c) This guarantee will not be applied to the faults in the Product caused by its faulty installation, the natural wear and tear of the components, any use other than that considered normal for this Product or which should fail to strictly comply with the instructions of use provided by HI-TECH; due to accident, carelessness, adjustments, alterations or modifications of the Product not authorised by HI-TECH or due to the use of accessories, heating devices, pumping equipment and/or dispensers that have not been approved or manufactured by HI-TECH.
- d) The guarantee applicable to the components and accessories forming part of the Product and which have not been made by HI-TECH will be limited to the guarantee offered by the original manufacturer thereof.

HI-TECH WILL NOT RECOGNISE ANY EXPRESS ORAL OR WRITTEN GUARANTEES OTHER THAN THIS PRINTED LIMITED GUARANTEE. ALL IMPLICIT GUARANTEES, INCLUDING, WITHOUT LIMIT, ADAPTATION FOR A SPECIFIC USE, ARE SUBJECT TO THE DURATION OF THIS WRITTEN GUARANTEE. HI-TECH DOES NOT ASSUME ANY KIND OF COMMITMENT OR RESPONSIBILITY FOR ALL POSSIBLE DAMAGE OR EXPENSE CAUSED BY FAULTS IN THE OUTPUT OF THE PRODUCT, ITS WORKING OR THE DISPENSING OF MATERIAL THROUGH THE PRODUCT, INCLUDING, WITHOUT LIMITATION, ALL EXPENSES CAUSED BY DAMAGE TO PEOPLE OR PROPERTY. EQUALLY, HI-TECH WILL IN NO CASE ACCEPT LIABILITY FOR THE LOSS OF SPECULATIVE PROFITS OR COMMERCIAL LOSSES. ALL REPAIRS OR REPLACEMENT OF FAULTY PRODUCTS WILL CONSTITUTE THE COMPREHENSIVE FULFILMENT OF HI-TECH'S OBLIGATIONS WITH RESPECT TO THE CLIENT. HI-TECH DOES NOT IN ANY WAY GUARANTEE THE SUITABILITY OR APTITUDE OF ITS PRODUCT FOR ANY PARTICULAR PURPOSE OR APPLICATION.

All information provided on components which have not been manufactured by HI-TECH and which is based on reports received from the original manufacturer, though considered precise and reliable, is provided without any guarantee or responsibility of any explicit or implicit kind.

All concession, sale or financial leasing of the Product by HI-TECH in no case explicitly or implicitly constitutes any authorisation, acceptance or concession for the use of any rights or patents, nor does it encourage, nurture or back their infringement.

The restrictions on the guarantee suppose no limitation on the legal rights of the consumer established in applicable national legislation, nor do they affect any rights derived from the bargain and sale agreement between the consumer and supplier.

All information provided in this manual has been included in the confidence that it is true, although it does not constitute any responsibility or implicit or explicit guarantee. HI-TECH reserves the right at any time and without prior warning to make all improvements and modifications necessary to this manual, in order to rectify any possible typographical errors, increase the information contained or insert the changes caused to the characteristics and performance of the unit.



SAFETY AND HANDLING

The equipment described in this manual has been designed and manufactured in compliance with the following European Directives, following as application guide the harmonized standards detailed and in conformity with the relevant UK Statutory Instruments (and their amendments):

Directive 2006/42/EC on machinery (UK Supply of Machinery (Safety) Regulations 2008)

UNE EN 12100:2012 (BS EN ISO 12100:2010)

Directive 2014/30/EU on electromagnetic compatibility (UK Electromagnetic Compatibility Regulations 2016)

UNE EN 55011 (BS UNE EN 55011)

UNE EN 55016-2-1 (BS UNE EN 55016-2-1); UNE EN 55016-2-3 (BS UNE EN 55016-2-3);
UNE EN 55032 (BS UNE EN 55032)

UNE EN 61000-3-2 (BS UNE EN 61000-3-2); UNE EN 61000-3-3 (BS UNE EN 61000-3-3);
UNE EN 61000-4-2 (BS UNE EN 61000-4-2); UNE EN 61000-4-3 (BS UNE EN 61000-4-3);
UNE EN 61000-4-4 (BS UNE EN 61000-4-4); UNE EN 61000-4-5 (BS UNE EN 61000-4-5);
UNE EN 6100-4-6 (BS UNE EN 6100-4-6); UNE EN 61000-4-8 (BS UNE EN 61000-4-8); UNE
EN 61000-4-11 (BS UNE EN 61000-4-11)

Directive 2014/68/EU on pressure equipment (UK Pressure Equipment (Safety) Regulations 2016)

UNE EN 809:1999 +A1 (BS EN 809:1998 +A1:2009)

Directive 2014/35/EU on electrical safety (UK Electrical Equipment (Safety) Regulations 2016)

UNE EN 60204-1:2019 (BS EN 60204-1:2018)

Directive 2003/10/EC on noise level (UK The Control of Noise at Work Regulations 2005)

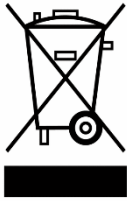
UNE EN ISO 3740 (BS EN ISO 3740:2019)

UNE EN ISO 3746 (BS EN ISO 3746:2010)

Directive 2011/65/EU on the restriction of the use of certain hazardous substances in electrical and electronic equipment with amendment 2015/863/EU (UK The Restriction of the Use of Certain Hazardous Substances in Electrical and Electronic Equipment Regulations 2012)

Directive 2012/19/EU on waste electrical and electronic equipment (UK The Waste Electrical and Electronic Equipment Regulations 2013)





Electrical products cannot be thrown out with the rubbish. They must be taken to a dedicated collection point for an environmentally sound disposal in accordance with local regulations. You must contact your local collective or retailer for information about recycling. Before leaving WEEE at appropriate collection facilities, batteries must be removed and disposed of separately for proper recycling. The packaging materials are recyclable. Dispose of packaging materials in an environmentally sound manner and place them at the disposal of recycling

sectors.

TRANSPORT AND STORAGE

Proper precautions must be taken so that the equipment can withstand the effects of transport and storage temperatures between -25°C and $+55^{\circ}\text{C}$ or up to $+70^{\circ}\text{C}$ for short periods that do not exceed 24 hours. Also, appropriate means to prevent damage from moisture, vibrations or shocks must be foreseen.



METERING UNIT evolution VR MODEL

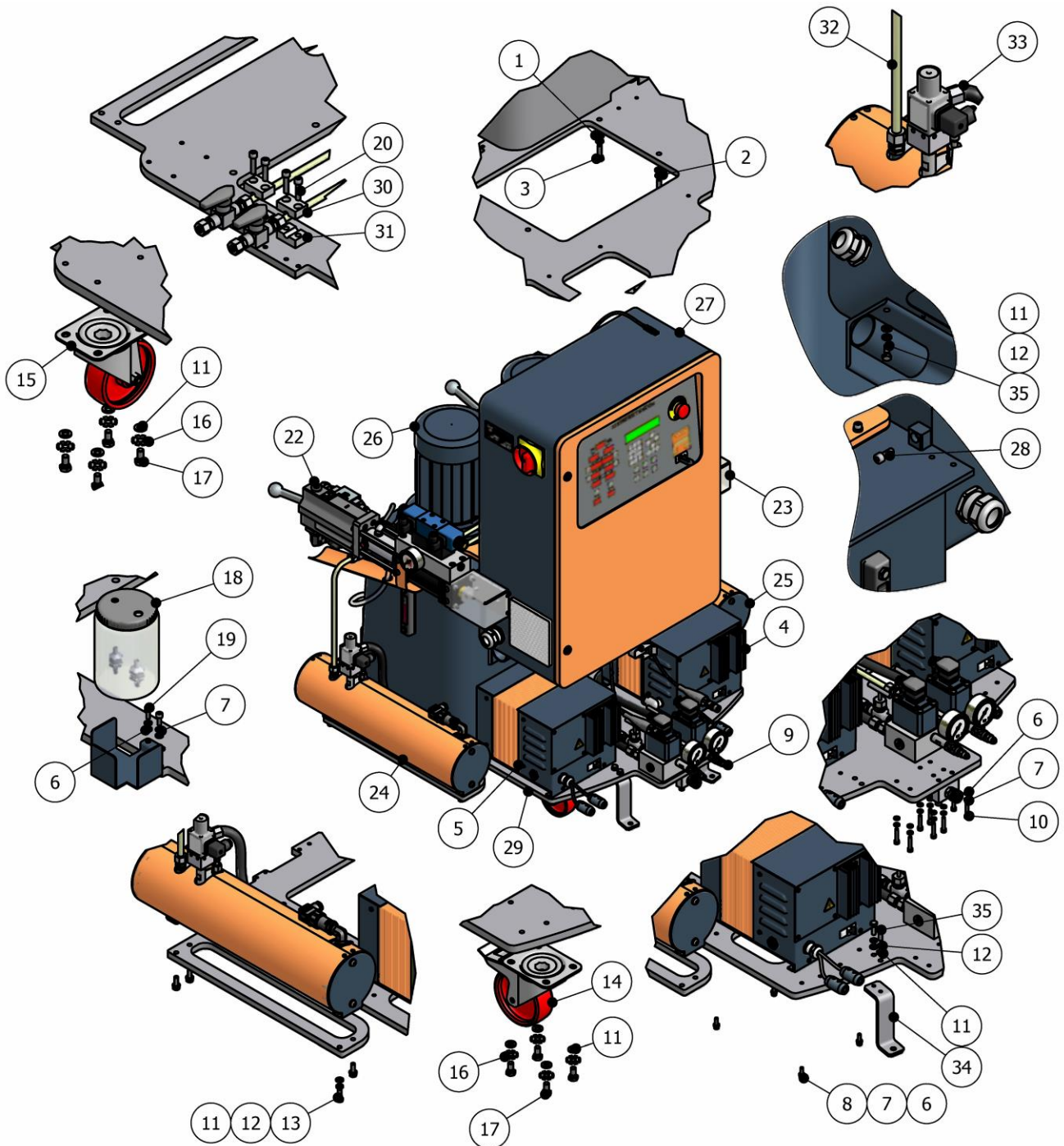


Figure 1. Metering Unit evolution VR Model



Table 1. Metering Unit evolution VR Model, Parts List

Ref.	Description	Parts Number	Qty.
1	Washer	TN-00162	4
2	Lock Washer	TN-00087	4
3	Hex Head Cap Screw	TN-00163	4
4	R Transformer (3x400v-N)	EL-00127-15	1
5	A Transformer (3x400v-N)	EL-00127-15	1
6	Washer	TN-00024	18
7	Lock Washer	TN-00025	18
8	Socket Head Cap Screw	TN-00026	8
9	Recirculation Kit (Manual – Automatic)	See Table 3	1
10	Socket Head Cap Screw	TN-00014	8
11	Washer	TN-00119	40
12	Lock Washer	TN-00028	31
13	Hex Head Cap Screw	TN-00146	8
14	Front Wheel with Brake	MQ-01002	2
15	Back Wheel	MQ-01016	2
16	Lock Washer	TN-00038	16
17	Hex Head Cap Screw	TN-00114	16
18	Lube Reservoir Assembly	MQ-01009-01	1
19	Socket Head Cap Screw	TN-00248	2
20	Socket Head Cap Screw	TN-00245	4
22	A Pump/Heater Hose Assy.	See Table 4	1
23	R Pump/Heater Hose Assy.	See Table 5	1
24	A Primary Heater	See Table 2	1
25	R Primary Heater	See Table 2	1
26	Pump Motor Assembly	See Table 6	1
27	Electrical Console Assy.	EL-00077-00	1
28	Socket Head Cap Screw	TN-00176	2
29	Base Plate	MQ-05001	1
30	Upper Tube Clamp	MQ-05013	2



Ref.	Description	Parts Number	Qty.
31	Lower Tube Clamp	MQ-05014	2
32	Tube Inlet to Heater	HI-00186 (*)	2
33	Heater Output Hose	MA-00051	2
34	"Z" Bracket without Transfer Pumps Bracket	MQ-01017	2
35	Hex. Head Cap Screw	TN-00187	7

() For replacement part, the tube HI-00186 is delivered curved with excess material at both ends to adapt it to the existing assembly.*

Table 2. List of heaters as the Main Voltage of the unit

Main Voltage	"A" Heater	"R" Heater	Power & Voltage of Resistance
3PE~400V	CLH-05001-00C	CLH-05002-00C	9000W(6x1500W) @ 400V
	CLH-05001-00D	CLH-05002-00D	7500W(6x1250W) @ 400V



DESCRIPTION OF THE NOMENCLATURE

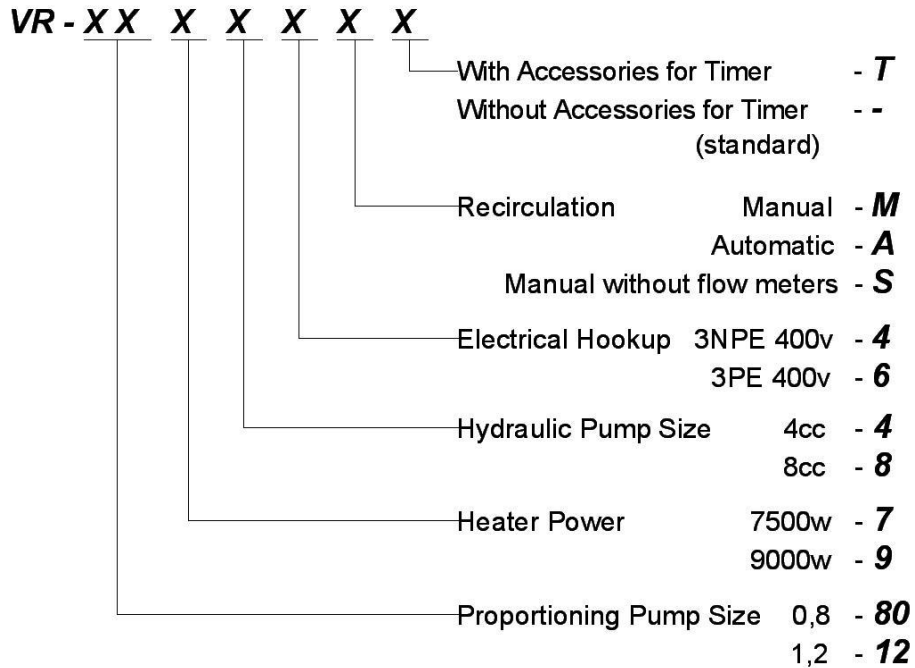


Table 3. Recirculation Kit, Parts Number List

Part Number Unit	Ref. 9	Description
VR-XXXXXA-	KT-00055	Automatic Recirculation Kit
VR-XXXXXM-	KT-00054	Manual Recirculation Kit
VR-XXXXXS-	KT-00056	Manual Recirculation Kit without Flow Meters

N:B.:

Optionally the recirculation kits will be completed up to the tanks with the KT-00038-06

Table 4. A Pump Line Assembly, Parts Number List

Part Number Unit	POS. 22	Description
VR-80XXXXX	PU-06200-008G	A Pump Line Assembly # 0.8
VR-12XXXXX	PU-06200-012G	A Pump Line Assembly # 1.2



Table 5. R Pump Line Assembly, Parts Number List

Part Number Unit	POS. 23	Description
VR-80XXXXX	PU-06300-008G	R Pump Line Assembly # 0.8
VR-12XXXXX	PU-06300-012G	R Pump Line Assembly # 1.2

Table 6. Pump Motor Assembly, Parts List

Part Number Unit	POS. 26	Description
VR-XXX4XXX	HI-00055-02	Motor 3kW and Hydraulic Pump 4cc
VR-XXX8XXX	HI-00055-03	Motor 3kW and Hydraulic Pump 8cc
VR-12X8XXX	HI-00055-04	Motor 4kW and Hydraulic Pump 8cc

ELECTRICAL CONSOLE ASSEMBLY

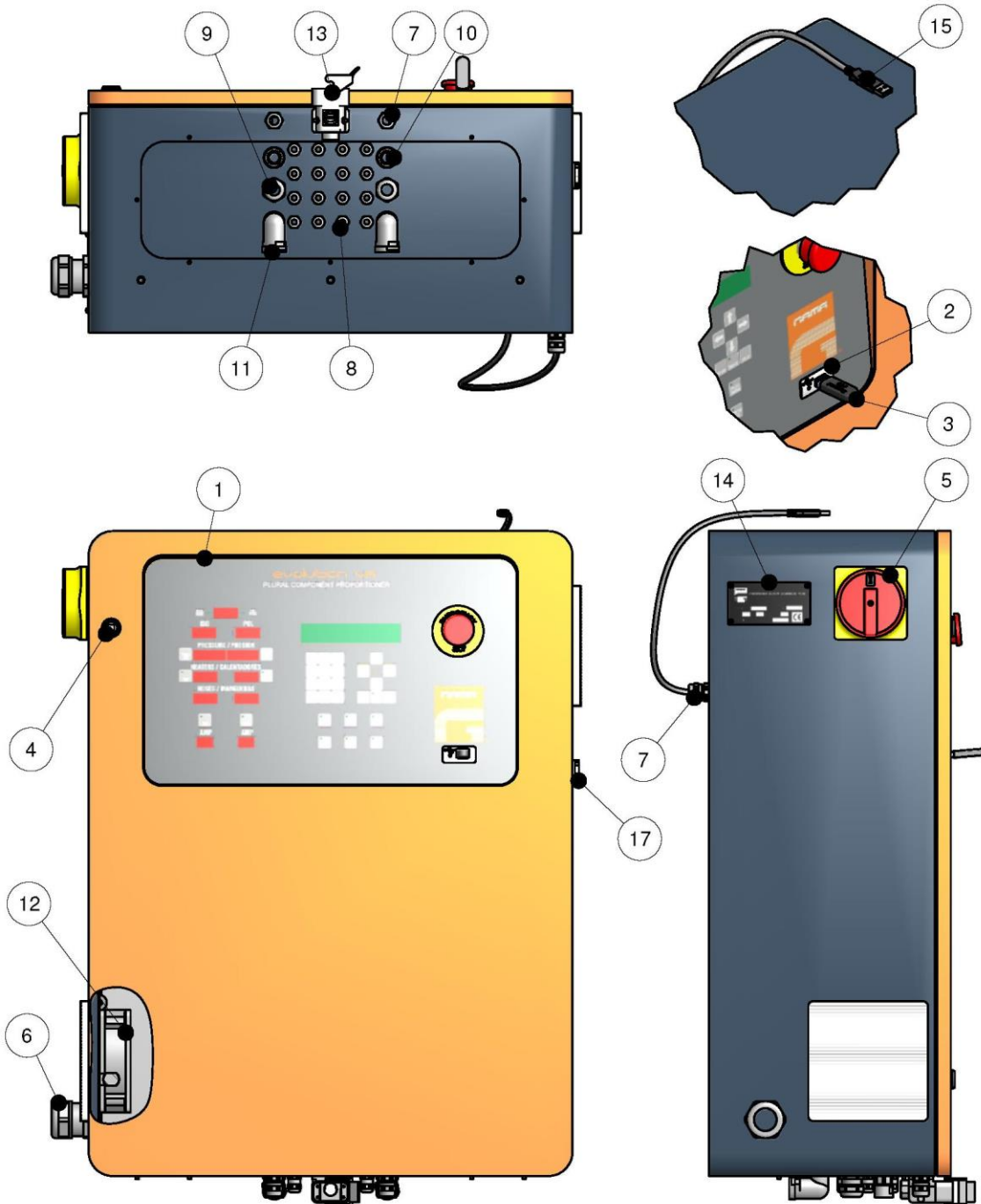


Figure 2. Electrical Console Assembly, evolution VR



Table 7. Electrical Console, Parts List

Ref.	Description	Parts Number	Qty.
1	Bezel	EL-00078-01	1
	Electric Circuit	EL-00078-02	1
2	USB Port (Included in Ref.1)	EL-00078-04	1
3	Pen Drive 1 GB (Included in Ref.1)	EL-00078-05	1
4	Lock Electrical Console Assembly	EL-00034	2
5	Main Switch	EL-00107-23	1
	Command Switch	EL-00107-19	1
6	Cable Connector	EL-00088-04	1
	Nut	EL-00090-05	1
7	Strain Relief	EL-00088-05	3
	Nut	EL-00090-06	3
8	Strain Relief	EL-00088-00	16
	Nut	EL-00090-00	16
9	Strain Relief	EL-00088-02	2
	Nut	EL-00090-01	2
10	Strain Relief	EL-00087-00	2
	Nut	EL-00090-01	2
11	Strain Relief	EL-00087-02	2
	Nut	EL-00090-01	2
12	Fan	EL-00133-00	1
13	Base Connector	EL-00096-04	1
14	Standard Features Bezel	MQ-01010	1
15	Aerial USB Port	EL-00078-08	1
16	Internal Electronic Board	EL-00078-09	1
17	Acoustic adviser	EL-00130-00	1
18	Power Circuit (not show in drawing)	EL-00078-03	1

HIDRAULIC MANIFOLD (PUMPS WITH SAE CONNECTIONS)

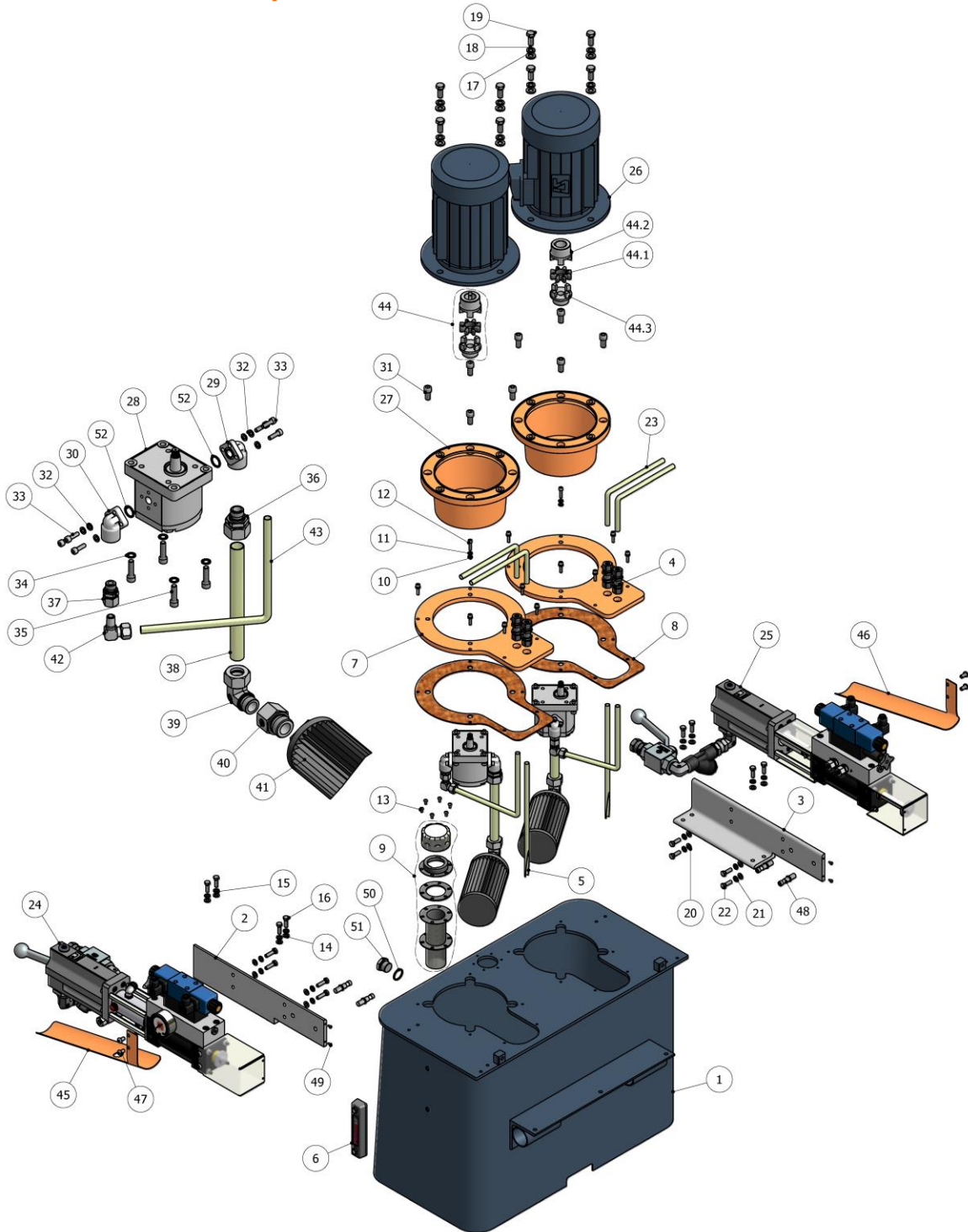


Figure 3. Hyd. Manifold (Pumps with SAE Connections),exploded View



Table 8. Hydraulic Manifold (Pumps with SAE Connections), Parts List

Ref.	Description	Parts Number	Qty.
1	Oil Tank	HI-00055-01	1
2	A Pump Bracket	MQ-05005	1
3	R Pump Bracket	MQ-05006	1
4	Adapter Bulkhead Union	RA-00025	4
5	Return Tube	MP-00002 (*)	2
6	Thermometer and Fluid Level Gauge	HI-00001	1
7	Motor Support	HI-00055-01G	2
8	Gasket	HI-00055-01H	2
9	HYD-Oil Filler	HI-00002	1
10	Washer	TN-00024	14
11	Lock Washer	TN-00025	14
12	Socket Head Cap Screw	TN-00169	14
13	ULS Screw	TN-00166	6
14	Washer	TN-00119	8
15	Lock Washer	TN-00028	8
16	Hex Head Cap Screw	TN-00146	8
17	Washer	TN-00040	8
18	Lock Washer	TN-00015	8
19	Hex Head Cap Screw	TN-00060	8
20	Washer	TN-00119	8
21	Lock Washer	TN-00028	8
22	Hex Head Cap Screw	TN-00146	8
23	Tube	MP-00002 (*)	4
24	A Pump Line assembly	See Table 10	1
25	R Pump Line Assembly	See Table 10	1
26	Electric Motor	See Table 10	2
27	Bell Housing	HI-00056	2
28	Hydraulic Pump	See Table 10	2
29	Suction Bridle	HI-00072	2
30	Pressure Bridle	HI-00071	2
31	Socket Head Cap Screw	TN-00177	8



Ref.	Description	Parts Number	Qty.
32	Lock Washer	TN-00025	12
33	Socket Head Cap Screw	TN-00257	12
34	Lock Washer	TN-00038	8
35	Socket Head Cap Screw	TN-00062	8
36	Male Stud Connector	RA-00198	2
37	Male Stud Connector	RA-00036	2
38	Tube	HI-00074 (*)	2
39	Street Elbow	RA-00199	2
40	Thread Reducer	RA-00175	2
41	Filter	HI-00070	2
42	Street Elbow	RA-00196	2
43	Tube	MP-00002 (*)	2
44	Couple Assembly	HI-00069-00	2
44.1	Alignment Spider	HI-00069-01	2
44.2	Shaft Coupling	HI-00069-02	2
44.3	Shaft Coupling	HI-00069-03	2
45	A Drip Pan	MQ-05017	1
46	R Drip Pan	MQ-05018	1
47	ULS Screw	TN-00135	4
48	Inductive Detector	EL-00136-03	4
49	ULS Screw	TN-00031	4
50	O-Ring	OR-00082	1
51	Plug	RA-00022	1
52	O-Ring	OR-00087	4

The codes of the marked parts (), are referenced to the code of the raw material.*

HIDRAULIC MANIFOLD (PUMPS WITH THREADED CONNECTIONS)

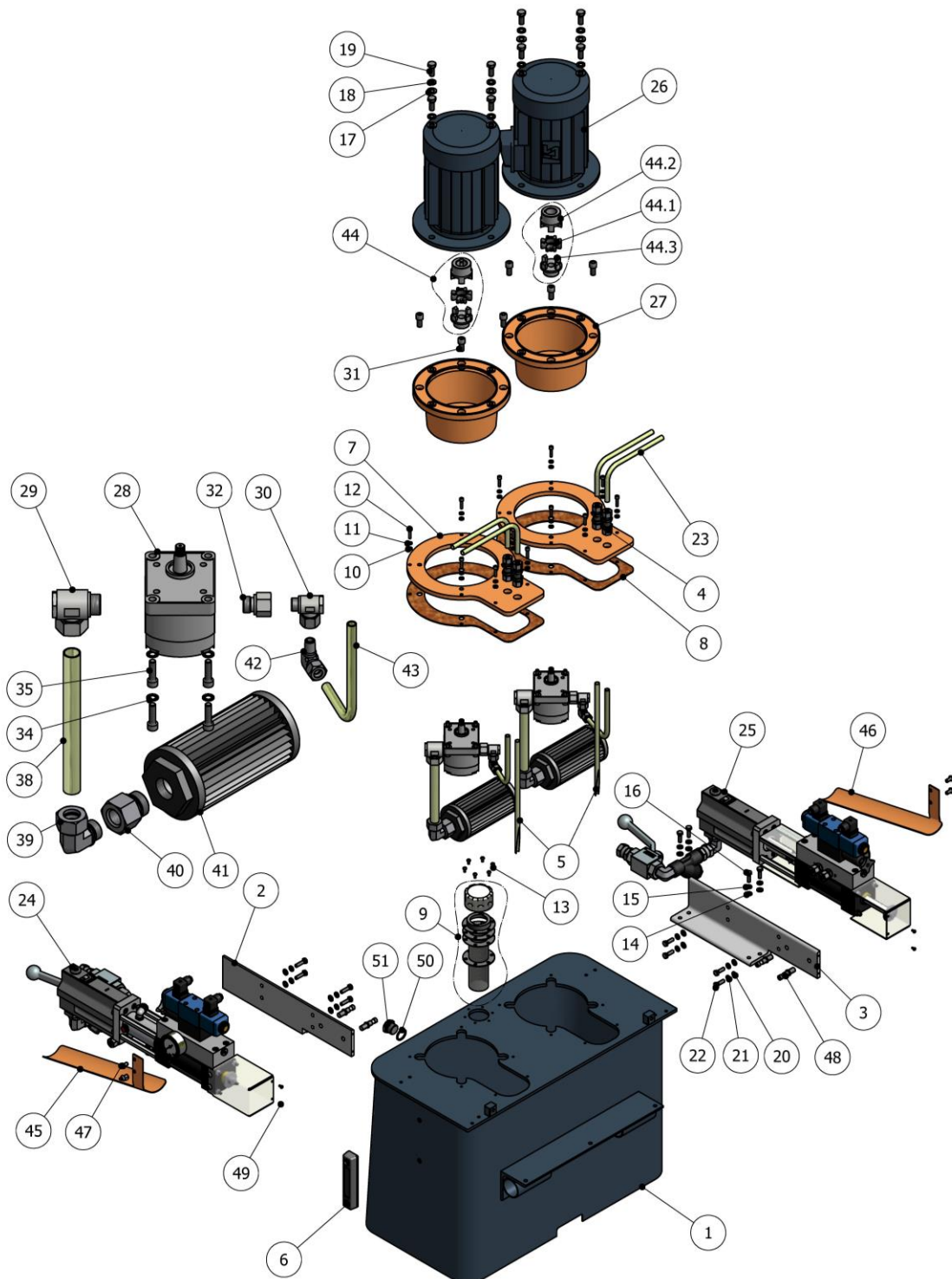


Figure 4. Hyd. Manifold (Pumps with Threaded Connections),exploded View



Table 9. Hydraulic Manifold (Pumps with Threaded Connections), Parts List

Ref.	Description	Parts Number	Qty.
1	Oil Tank	HI-00055-01	1
2	A Pump Bracket	MQ-05005	1
3	R Pump Bracket	MQ-05006	1
4	Adapter Bulkhead Union	RA-00025	4
5	Return Tube	MP-00002 (*)	2
6	Thermometer and Fluid Level Gauge	HI-00001	1
7	Motor Support	HI-00055-01G	2
8	Gasket	HI-00055-01H	2
9	HYD-Oil Filler	HI-00002	1
10	Washer	TN-00024	14
11	Lock Washer	TN-00025	14
12	Socket Head Cap Screw	TN-00169	14
13	ULS Screw	TN-00166	6
14	Washer	TN-00119	8
15	Lock Washer	TN-00028	8
16	Hex Head Cap Screw	TN-00146	8
17	Washer	TN-00040	8
18	Lock Washer	TN-00015	8
19	Hex Head Cap Screw	TN-00060	8
20	Washer	TN-00119	8
21	Lock Washer	TN-00028	8
22	Hex Head Cap Screw	TN-00146	8
23	Tube	MP-00002 (*)	4
24	A Pump Line assembly	See Table 10	1
25	R Pump Line Assembly	See Table 10	1
26	Electric Motor	See Table 10	2
27	Bell Housing	HI-00056	2
28	Hydraulic Pump	See Table 10	2
29	Suction Banjo Elbow	RA-00008	2
30	Pressure Banjo Elbow	RA-00007	2
31	Socket Head Cap Screw	TN-00177	8



Ref.	Description	Parts Number	Qty.
32	Reduction	RA-00011	2
33			
34	Lock Washer	TN-00038	8
35	Socket Head Cap Screw	TN-00062	8
36			
37			
38	Tube	HI-00074 (*)	2
39	Street Elbow	RA-00199	2
40	Thread Reducer	RA-00175	2
41	Filter	HI-00070	2
42	Street Elbow	RA-00196	2
43	Tube	MP-00002 (*)	2
44	Couple Assembly	HI-00069-00	2
44.1	Alignment Spider	HI-00069-01	2
44.2	Shaft Coupling	HI-00069-02	2
44.3	Shaft Coupling	HI-00069-03	2
45	A Drip Pan	MQ-05017	1
46	R Drip Pan	MQ-05018	1
47	ULS Screw	TN-00135	4
48	Inductive Detector	EL-00136-03	4
49	ULS Screw	TN-00031	4
50	O-Ring	OR-00082	1
51	Plug	RA-00022	1

The codes of the marked parts (), are referenced to the code of the raw material.*

Table 10. Hydraulic Manifold, Parts List

Part Number Unit	24	25	26	28
VR-80X44XX	PU-06201-008G	PU-06301-008G	EL-00138-06	HI-00057
VR-80X84XX	PU-06201-008G	PU-06301-008G	EL-00138-06	HI-00058
VR-12X84XX	PU-06201-012G	PU-06301-012G	EL-00138-07	HI-00058

LUBE RESERVOIR HOSE ASSEMBLY

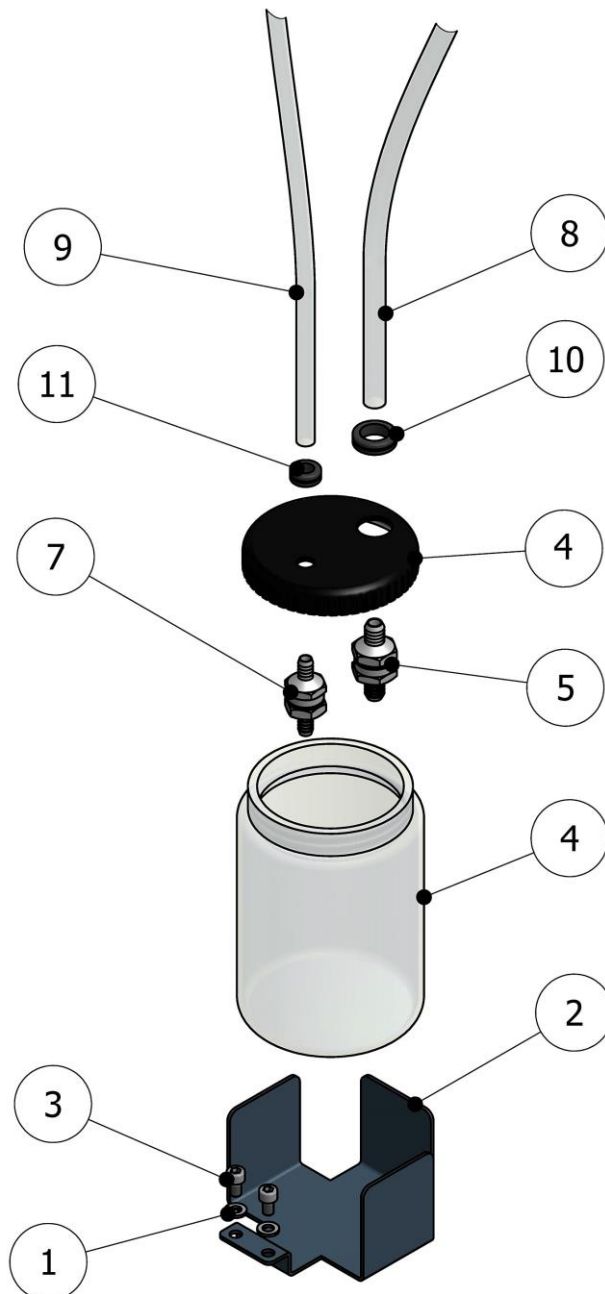


Figure 5. Lube Reservoir Hose Assembly, Exploded View



Table 11. Lube Reservoir Hose Assembly, Parts List

Ref.	Description	Parts Number	Qty.
1.1	Washer	TN-00024	2
1.2	Washer	TN-00025	2
2	Lube Reservoir Bracket	MQ-01008	1
3	Socket Head Cap Screw	TN-00248	2
4	Lube Reservoir Bottle with Drilled Cap	MQ-01009-01	1
5	Lube Reservoir Check Valve for Pipe 12x1	RA-00068	1
6			
7	Lube Reservoir Check Valve for Pipe 10x1	RA-00283	1
8	Supply Line	MA-00025	1
9	Return Line	MA-00024	1
10	Rubber Grommet	EL-00095-03	1
11	Rubber Grommet	EL-00095-01	1

“A” PUMP LINE ASSEMBLY

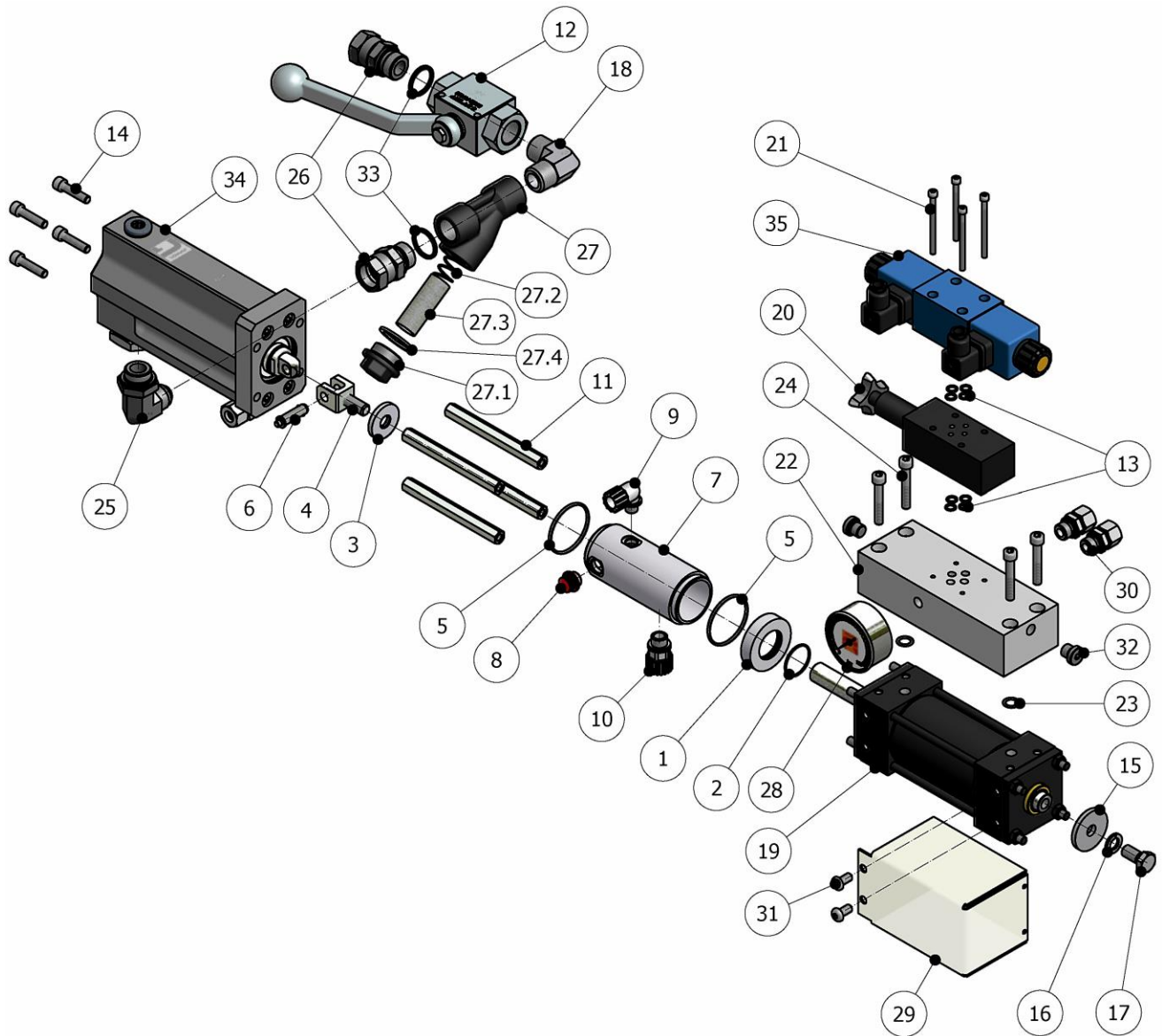


Figure 6. “A” Pump Line Assembly, Exploded View



Table 12. “A” Pump Line Assembly, Parts List

Ref.	Description	Parts Number	Qty.
1	Lube Cylinder Adapter Plate	PU-01021	1
2	O-Ring	OR-00021	1
3	Baffle	PU-01019	1
4	Hydraulic Cylinder Clevis	PU-01043	1
5	Lube Cylinder O-Ring	OR-00020	2
6	“A” Clevis Pin Assembly (Include 6.1 + 6.2+6.3)	PU-01044-00	1
6.1	Clevis Pin (included in Ref. 6)	PU-01044-01M	1
6.2	Clevis Pin Clip (included in Ref. 6)	TN-00136	1
6.3	Washer Supplement (Included in Ref. 7) not shown	TN-00024	1
7	Lube Cylinder	PU-01018	1
8	Polyethylene Pipe Plug	RA-00116	1
9	Lube Cylinder Elbow	RA-00066	1
10	Lube Cylinder fitting	RA-00067	1
11	Proportioning Pump Spacer	PU-01025	4
12	Ball Valve	RA-00293	1
13	O-Ring	OR-00035	8
14	Socket Head Cap Screw	TN-00245	4
15	Reversing Switch Activate Plate	PU-01037	1
16	Lock Washer	TN-00039	1
17	Hex Head Cap Screw	TN-00130	1
18	Street Elbow	RA-00194	1
19	Hydraulic Cylinder With Spacers	HI-00101	1
20	Safety Valve	HI-00067	1
21	Socket Head Cap Screw	TN-00243	4
22	Hydraulic Manifold	MQ-01007	1
23	O-Ring	OR-00019	2
24	Socket Head Cap Screw	TN-00090	4
25	Street Elbow	RA-00072	1
26	Swivel Union	RA-00073	2
27	Y Strainer	RA-00074-00	1



Ref.	Description	Parts Number	Qty.
27.1	Filter Plug	RA-00074-01	1
27.2	Filter Spring	SP-00017	1
27.3	Filter	RA-00074-03-30	1
27.4	Filter Gasket	OR-00061	1
28	Hydraulic Gauge	HI-00078	1
29	Activator Plate Cover	PU-01038	1
30	Hex nipple	RA-00036	2
31	ULS Screw	TN-00135	2
32	Polyethylene Pipe Plug	RA-00013	2
33	Gasket	OR-00082	2
34	A" Proportioning Pump Assembly	See Table 13	1
35	Directional valve	HI-00054	1

Table 13. "A" Proportioning Pump Size, List

Part Number Pump Line Assy.	Pump Size	Description	POS. 34
PU-06200-008G	0.8	A Pump Line Assembly # 0.8	PU-06201-008G
PU-06200-012G	1.2	A Pump Line Assembly # 1.2	PU-06201-012G

"R" PUMP LINE ASSEMBLY

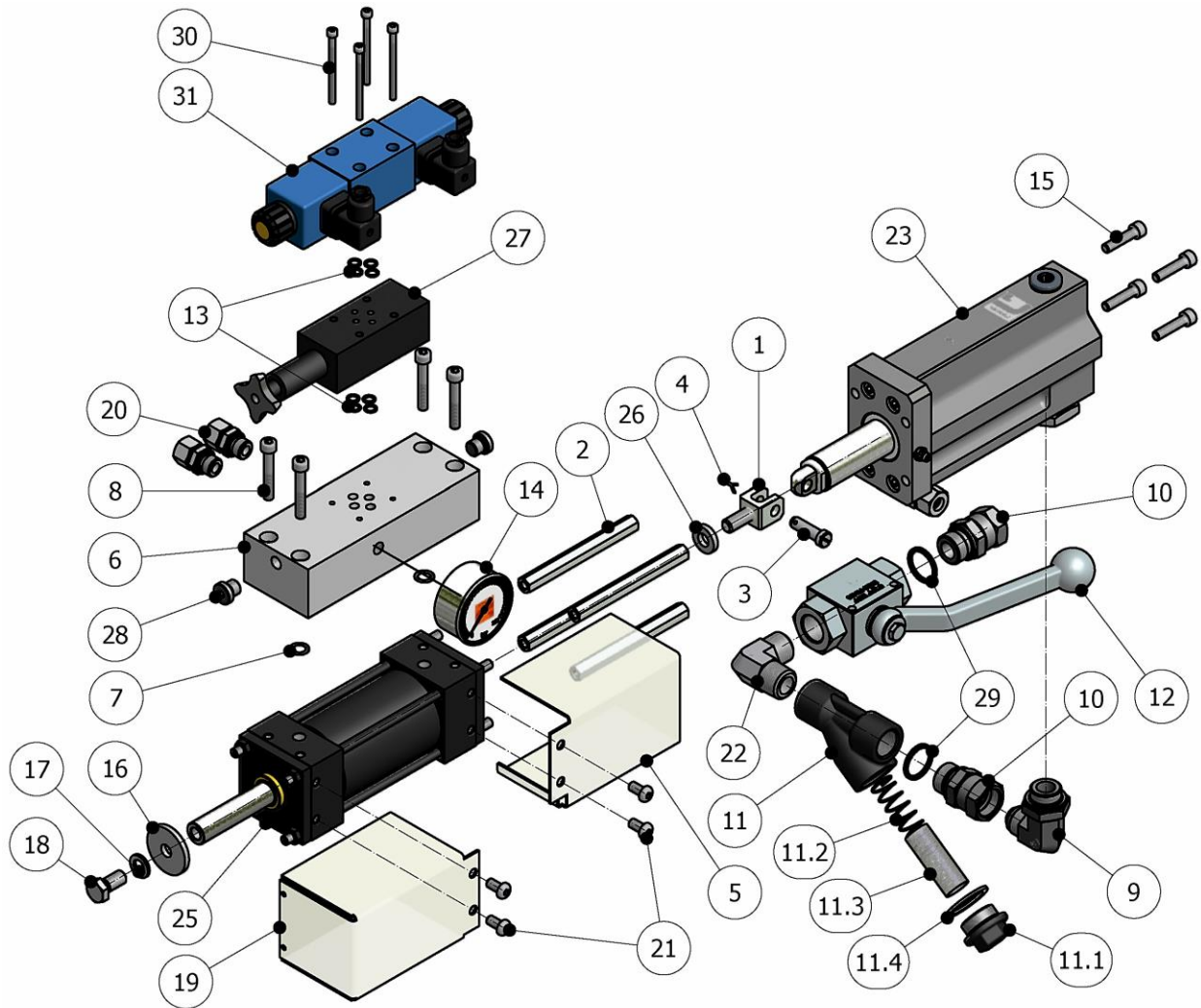


Figure 7. "R" Pump Line Assembly, Exploded View



Table 14. "R" Pump Line Assembly, Parts List

Ref.	Description	Parts Number	Qty.
1	Hydraulic Cylinder Clevis	PU-01043	1
2	Proportioning Pump Spacer	PU-01025	4
3	"R" Clevis Pin Assembly	PU-01045-01	1
4	Pin	TN-00077	1
	"R" Clevis Pin Assembly (Include ref. 3 & 4)	PU-01045-00	1
5	Activator Plate Cover	PU-01027	1
6	Hydraulic Manifold	MQ-01007	1
7	O-Ring	OR-00019	2
8	Socket Head Cap Screw	TN-00090	4
9	Street Elbow	RA-00072	1
10	Swivel Union	RA-00073	1
11	Y-Strainer	RA-00074-00	1
11.1	Filter Plug	RA-00074-01	1
11.2	Filter Spring	SP-00017	1
11.3	Filter	RA-00074-03-30	1
11.4	Filter Gasket	OR-00061	1
12	Ball Valve	RA-00293	1
13	O-Ring	OR-00035	8
14	Hydraulic Gauge	HI-00078	1
15	Socket Head Cap Screw	TN-00245	4
16	Reversing Switch Activate Plate	PU-01037	1
17	Lock Washer	TN-00039	1
18	Hex Head Cap Screw	TN-00130	1
19	Activator Plate Cover	PU-01038	1
20	Hex nipple	RA-00036	2
21	ULS Screw	TN-00135	2
22	Street Elbow	RA-00194	1
23	R Proportioning Pump Assembly	See Table 15	1
25	Hydraulic Cylinder With Spacers	HI-00101	1
26	Hydraulic Cylinder Clevis Washer	PU-01039	1



Ref.	Description	Parts Number	Qty.
27	Safety Valve	HI-00067	1
28	Polyethylene Pipe Plug	RA-00013	2
29	Gasket	OR-00082	2
30	Socket Head Cap Screw	TN-00243	4
31	Directional valve	HI-00054	1

Table 15. “R” Proportioning Pump Size, List

Part Number Pump Line Assy.	Pump Size	Description	POS. 23
PU-06300-008G	0.8	R Pump Line Assembly # 0.8	PU-06301-008G
PU-06300-012G	1.2	R Pump Line Assembly #1.2	PU-06301-012G

HYDRAULIC CYLINDER WITH SPACERS

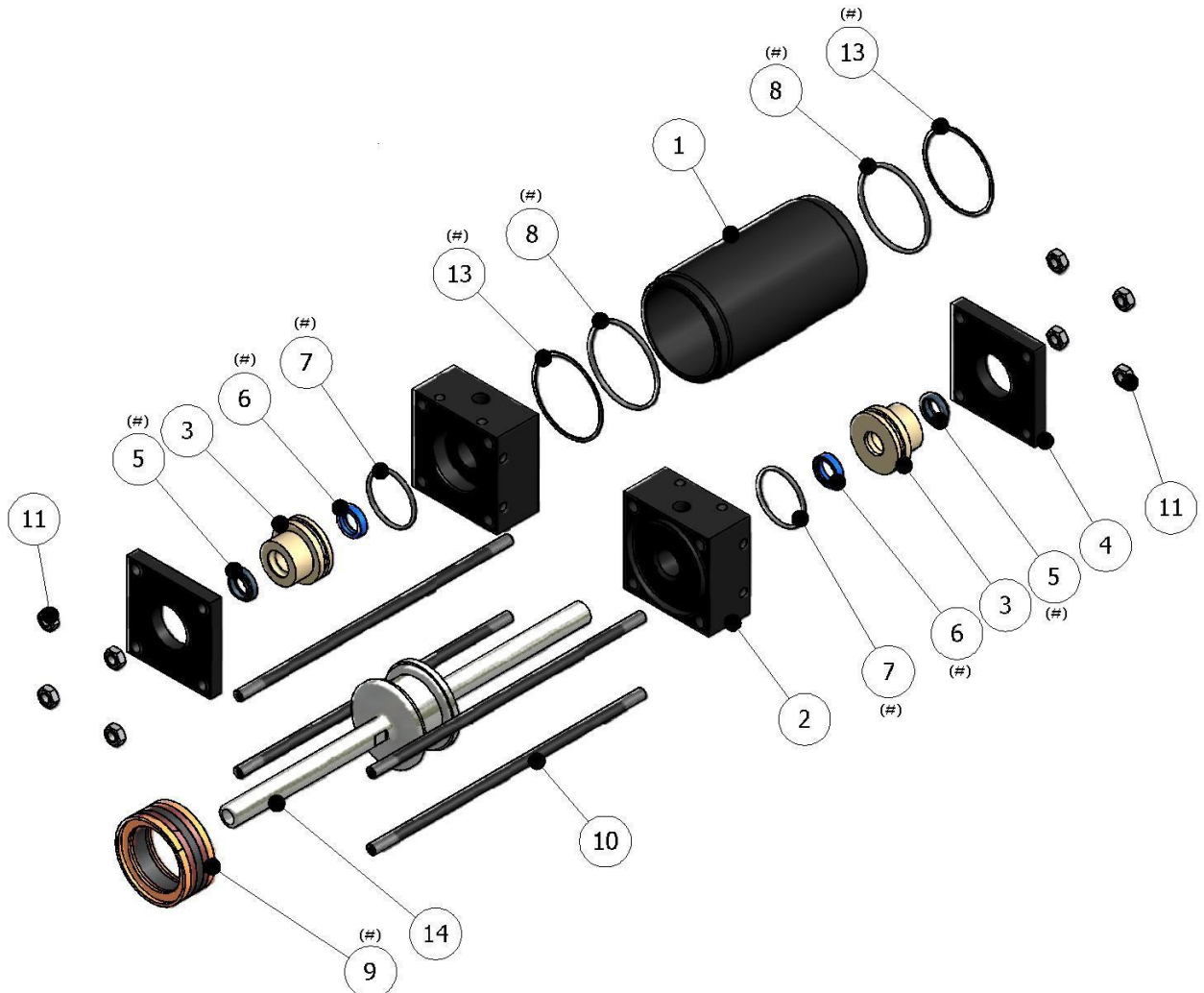


Figure 8. Hydraulic Cylinder with Spacers, Exploded View

N.B.: The indicated parts (#), are included in the repair seal kit KT-00010-01 (these are not supply separately).



Table 16. Hydraulic Cylinder with Spacers, Parts List

Ref.	Description	Parts Number	Qty.
1	Cylinder Body	HI-00025-05	1
2	Port Block	HI-00101-04	2
3	Rod Bushing	HI-00101-03	2
4	Front Plate	HI-00025-02	2
5	Rod Wiper	OR-00095	2 (#)
6	Shaft Seal	OR-00096	2 (#)
7	O-Ring	OR-00039	2 (#)
8	O-Ring	OR-00040	2 (#)
9	Piston O-ring	OR-00041-00	1 (#)
10	Hydraulic Cylinder Tie Rod	HI-00025-06	4
11	Nut (*)	TN-00029	4 (8)
13	O-Ring Anti Extrusion	OR-00063	2 (#)
14	Piston	HI-00101-01	1

() When the cylinder is supplied as a spare part 8 units are enclosed. In the Pump Line fitted in the machine, 4 units are enclosed.*

(#) Parts & Qtys. are included in the Repair Seal Kit KT-00010-01 (these parts are not supply separately).

“A” PROPORTIONING PUMP ASSEMBLY

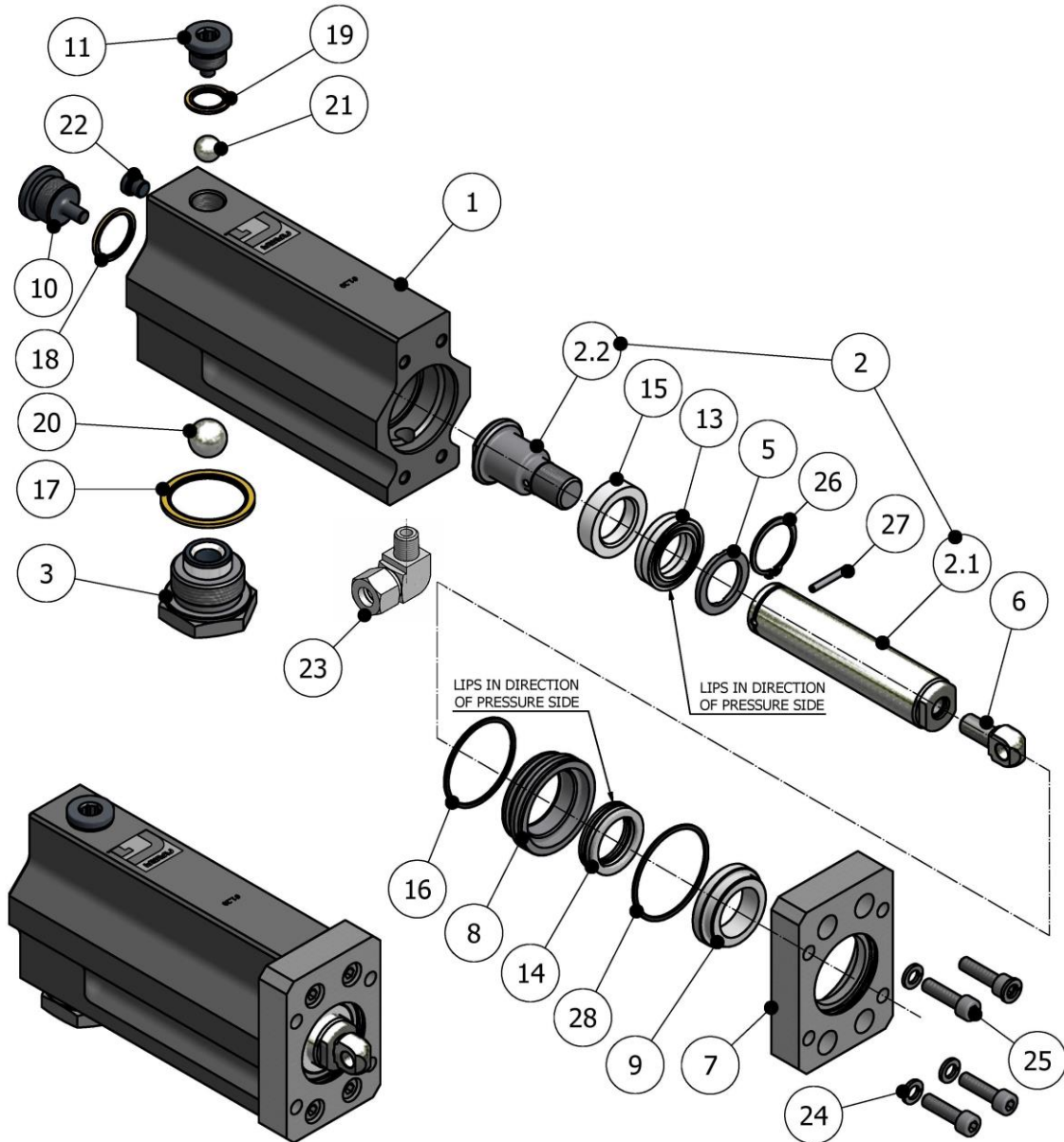


Figure 9. “A” Proportioning Pump Assembly, Exploded View



Table 17. “A” Proportioning Pump Assembly, Parts List

item.	Description	Part Number	Qty.
1	Body Pump with Check Valve Seat	See Table 18	1
2	Piston Rod Assembly (Only item. 2.1 y 2.2)	See Table 18	1
2.1	Piston Rod (Included in item 2)	See Table 18	1 (#)
2.2	Piston Head (Included in item 2)	See Table 18	1 (#)
3	Inlet Ball Seat Assembly	PU-01003-0J	1
4			
5	Piston Seal	See Table 18	1
6	Pump Clevis	See Table 18	1
7	Monoblock Flange Pump – ISO	See Table 18	1
8	Seat Seal – ISO	See Table 18	1
9	Bearing ISO	See Table 19	1 (*)
10	Plug Side Pump	PU-01003-0E	1
11	Upper Plug Pump	PU-01003-0F	1
12			
13	Piston Seal	See Table 19	1 (*)
14	Cylinder Seal	See Table 19	1 (*)
15	Piston Guide	See Table 19	1 (*)
16	O-Ring	See Table 19	1 (*)
17	Metallic Ring	OR-00088	1
18	Metallic Ring	OR-00082	1
19	Metallic Ring	OR-00023	1
20	Lower Ball	TN-00013	1
21	Upper Ball	TN-00012	1
22	Plug	See Table 18	1
23	Output Elbow	RA-00038	1
24	Washer	See Table 18	4
25	Allen Screw	See Table 18	4
26	Seeger Ring	See Table 18	1
27	Pin	See Table 18	1
28	O-Ring	See Table 19	1 (*)

N.B.: The parts marked with (*), are included in the repair seal kit of “A” pump (see Table 20).

The parts marked with (#), are not supplied separately.

Table 18. "A" Proportioning Pump Assembly, Parts List

Pump	Item 1	Item 2 (2.1 + 2.2)	Item 2.1	Item 2.2
1.20	PU-06001-012	PU-01006-012	PU-01007-012	PU-01008-012
0.80	PU-06001-008	PU-01006-008	PU-01007-008	PU-01008-008

Pump	Item 5	Item 6	Item 7	Item 8	Item 22
1.20	PU-01010-012	PU-01042	PU-06004	PU-06009-012G	RA-00211
0.80	PU-01010-008	PU-01042	PU-06004	PU-06009-008G	RA-00211

Pump	Item 24	Item 25	Item 26	Item 27
1.20	TN-00028	TN-00062	TN-00070	TN-00086
0.80	TN-00028	TN-00062	TN-00067	TN-00085

Table 19. Seals Monobloc "A" Pump

item	1.20	0.80
9	PU-06007-012	PU-06007-008
13	PU-01016-012A	PU-01016-008A
14	PU-01017-012G	PU-01017-008G
15	PU-01014-012A	PU-01014-008A
16	OR-00009	OR-00009
28	OR-00115	OR-00115

Table 20. Repair Seal Kit "A" Pump

Pump	Item
1.20	KT-00157
0.80	KT-00159

N.B : The standard proportioning pump sizes are #0.80 & #1.20. Different sizes are available under order. For delivery time, please consult with Marketing department.

The Repair seal kit include the parts indicated with (*) in the Table 17.

“R” PROPORTIONING PUMP ASSEMBLY

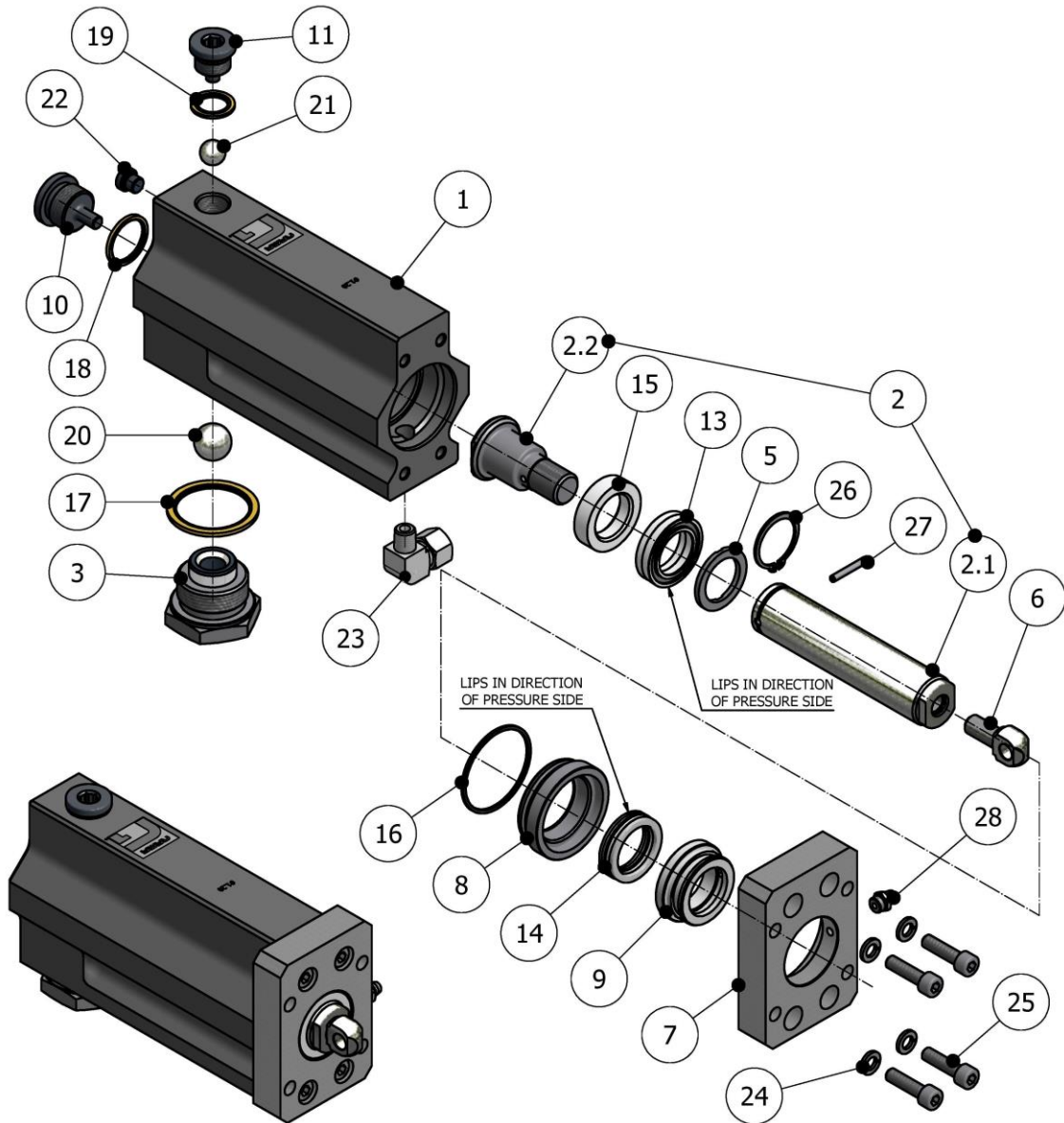


Figure 10. “R” Proportioning Pump Assembly, Exploded View



Table 21. “R” Proportioning Pump Assembly, Parts List

item.	Description	Part Number	Qty.
1	Body Pump with Check Valve Seat	See Table 22	1
2	Piston Rod Assembly (Only item. 2.1 y 2.2)	See Table 22	1
2.1	Piston Rod (Included in item 2)	See Table 22	1 (#)
2.2	Piston Head (Included in item 2)	See Table 22	1 (#)
3	Inlet Ball Seat Assembly	PU-01003-0J	1
4			
5	Piston Seal	See Table 22	1
6	Pump Clevis	See Table 22	1
7	Monoblock Flange Pump – POL	See Table 22	1
8	Seat Seal – POL	See Table 22	1
9	Bearing POL	See Table 23	1 (*)
10	Plug Side Pump	PU-01003-0E	1
11	Upper Plug Pump	PU-01003-0F	1
12			
13	Piston Seal	See Table 23	1 (*)
14	Cylinder Seal	See Table 23	1 (*)
15	Piston Guide	See Table 23	1 (*)
16	O-Ring	See Table 23	1 (*)
17	Metallic Ring	OR-00088	1
18	Metallic Ring	OR-00082	1
19	Metallic Ring	OR-00023	1
20	Lower Ball	TN-00013	1
21	Upper Ball	TN-00012	1
22	Plug	See Table 22	1
23	Exit Elbow	RA-00038	1
24	Washer	See Table 22	4
25	Allen Screw	See Table 22	4
26	Seeger Ring	See Table 22	1
27	Pin	See Table 22	1
28	Grease Fiting	See Table 22	1

N.B.: The parts marked with (*), are included in the repair seal kit of “R” pump (see Table 24)

The parts marked with (#), are not supplied separately.



Table 22. "R" Proportioning Pump Assembly, Parts List

Pump	Item 1	Item 2 (2.1 + 2.2)	Item 2.1	Item 2.2
1.20	PU-06001-012	PU-01006-012	PU-01007-012	PU-01008-012
0.80	PU-06001-008	PU-01006-008	PU-01007-008	PU-01008-008

Pump	Item 5	Item 6	Item 7	Item 8	Item 22
1.20	PU-01010-012	PU-01042	PU-06005	PU-06006-012G	RA-00211
0.80	PU-01010-008	PU-01042	PU-06005	PU-06006-008G	RA-00211

Pump	Item 24	Item 25	Item 26	Item 27	Item 28
1.20	TN-00028	TN-00062	TN-00070	TN-00086	TN-00073
0.80	TN-00028	TN-00062	TN-00067	TN-00085	TN-00073

Table 23. Seals Monobloc "R" Pump

Pump	Item 9	Item 13	Item 14	Item 15	Item 16
1.20	PU-06008-012	PU-01016-012A	PU-01017-012G	PU-01014-012A	OR-00009
0.80	PU-06008-008	PU-01016-008A	PU-01017-008G	PU-01014-008A	OR-00009

Table 24. Repair Seal Kit "R" Pump

Pump	Item
1.20	KT-00158
0.80	KT-00160

N.B : The standard proportioning pump sizes are #0.80 & #1.20. Different sizes are available under order. For delivery time, please consult with Marketing department.

The Repair seal kit include the parts indicated with (*) in the Table 21.

“A” PRIMARY HEATER

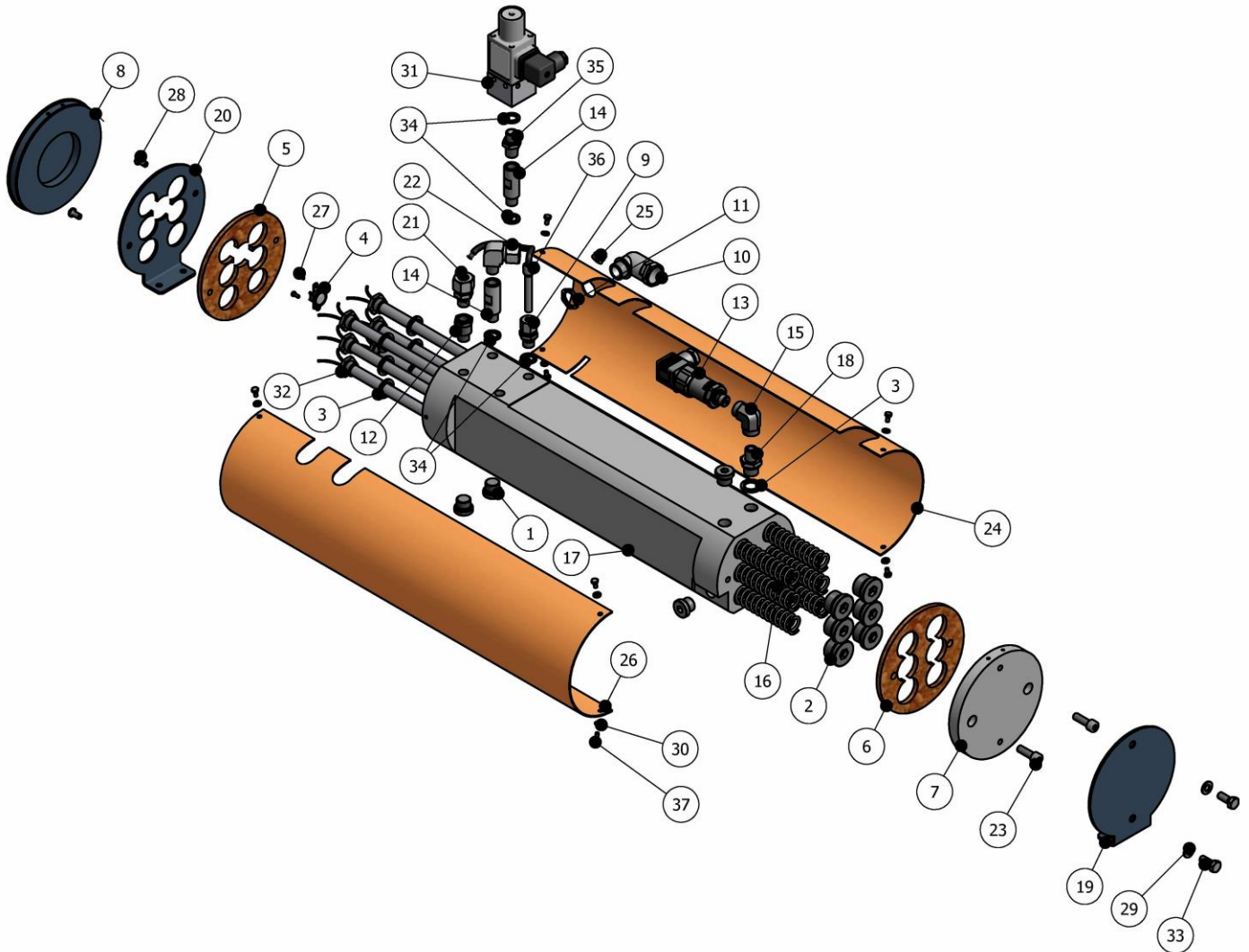


Figure 11. “A” Primary Heater, Exploded View



Table 25. "A" Primary Heater, Parts List

Ref.	Description	Part Number	Qty.
1	Pipe Plug	RA-00049	4
2	Pipe Plug	RA-00012	6
3	Seal	OR-00018	7
4	Thermal Limit Switch	EL-00006	1
5	Top Insulate Plate	CL-01001-04	1
6	Bottom Insulate Plate	CL-01001-03	1
7	Bottom Cap	CL-01001-02	1
8	Cover	CL-01001-07	1
9	Thermocouple Nipple	RA-00231	1
10	Conduit Connector	EL-00087-02	1
11	Nut	EL-00090-01	1
12	Swivel Union	RA-00077	1
13	Pressure Transducer	HI-00033	1
14	Swivel Union	RA-00100	2
15	Male Elbow	RA-00105	1
16	Spring	SP-00009	6
17	Heat Block	CLH-01001-01A	1
18	Thread Reducer	RA-00160	1
19	Heater Support Front	CL-05001-08	1
20	Heater Support Back	CL-05001-07	1
21	Tube Fitting	RA-00182	1
22	Elbow Tube Fitting	RA-00038	1
23	Socket Head Cap Screw	TN-00027	2
24	Heater Cover	CL-05001-05	1
25	Rubber Grommet	EL-00095-00	1
26	Heater Cover	CL-05001-06	1
27	Screw	TN-00128	2
28	ULS Screw	TN-00170	2
29	Washer	TN-00119	2
30	Washer	TN-00104	8



Ref.	Description	Part Number	Qty.
31	Pressure Switch	HI-00021	1
32	Heat Resistance	See Table 26	6
33	Hex. Screw	TN-00187	2
34	Seal	OR-00054	4
35	Swivel Union	RA-00138	1
36	Thermocouple	EL-00146-00	1
37	Hex. Screw	TN-00317	8

Table 26. Parts List for each model of "A"-Heater

Part Number	Description	POS. 32
CLH-05001-00C	"A"-Heater 9000 W 400 V	EL-00179
CLH-05001-00D	"A"-Heater 7500 W 400 V	EL-00197

“R” PRIMARY HEATER

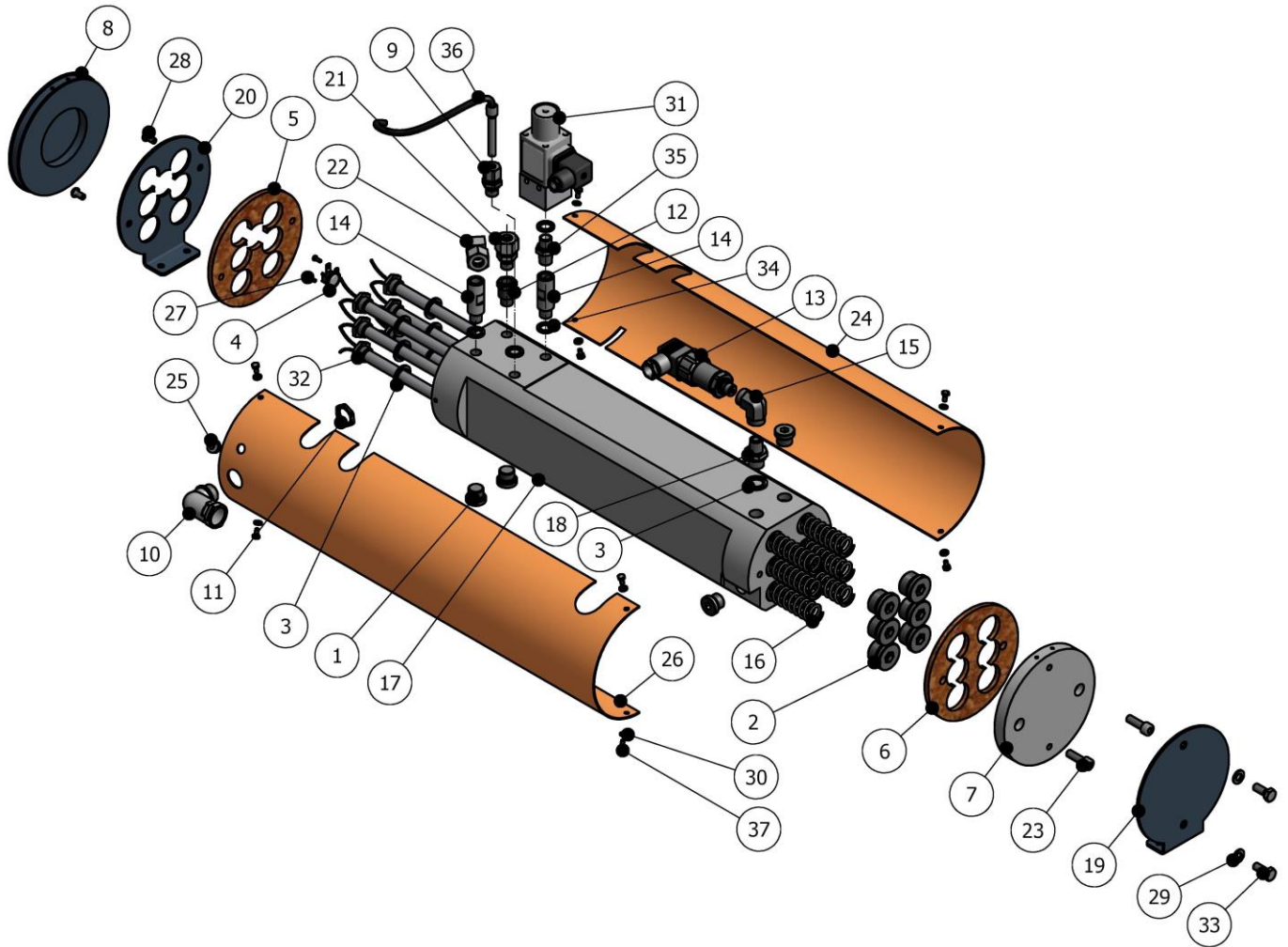


Figure 12. “R” Primary Heater, Exploded View

**Table 27. "R" Primary Heater, Parts List**

Ref.	Description	Part Number	Qty.
1	Pipe Plug	RA-00049	4
2	Pipe Plug	RA-00012	6
3	Seal	OR-00018	7
4	Thermal Limit Switch	EL-00006	1
5	Top Insulate Plate	CL-01001-04	1
6	Bottom Insulate Plate	CL-01001-03	1
7	Bottom Cap	CL-01001-02	1
8	Cover	CL-01001-07	1
9	Thermocouple Nipple	RA-00231	1
10	Conduit Connector	EL-00087-02	1
11	Nut	EL-00090-01	1
12	Swivel Union	RA-00077	1
13	Pressure Transducer	HI-00033	1
14	Swivel Union	RA-00100	2
15	Male Elbow	RA-00105	1
16	Spring	SP-00009	6
17	Heat Block	CLH-01001-01A	1
18	Thread Reducer	RA-00160	1
19	Heater Support Front	CL-05001-08	1
20	Heater Support Back	CL-05001-07	1
21	Tube Fitting	RA-00182	1
22	Elbow Tube Fitting	RA-00038	1
23	Socket Head Cap Screw	TN-00027	2
24	Heater Cover	CL-05002-05	1
25	Rubber Grommet	EL-00095-00	1
26	Heater Cover	CL-05002-06	1
27	Screw	TN-00128	2
28	ULS Screw	TN-00170	2
29	Washer	TN-00119	2
30	Washer	TN-00104	8



Ref.	Description	Part Number	Qty.
31	Pressure Switch	HI-00021	1
32	Heat Resistance	See Table 28	6
33	Hex. Screw	TN-00187	2
34	Seal	OR-00054	4
35	Swivel Union	RA-00138	1
36	Thermocouple	EL-00146-00	1
37	Hex. Screw	TN-00317	8

Table 28. Parts List for each model of “R”-Heater

Part Number	Description	POS. 32
CLH-05002-00C	“R”-Heater 9000 W 400 V	EL-00179
CLH-05002-00D	“R”-Heater 7500 W 400 V	EL-00197

PNEUMATIC COMPONENTS

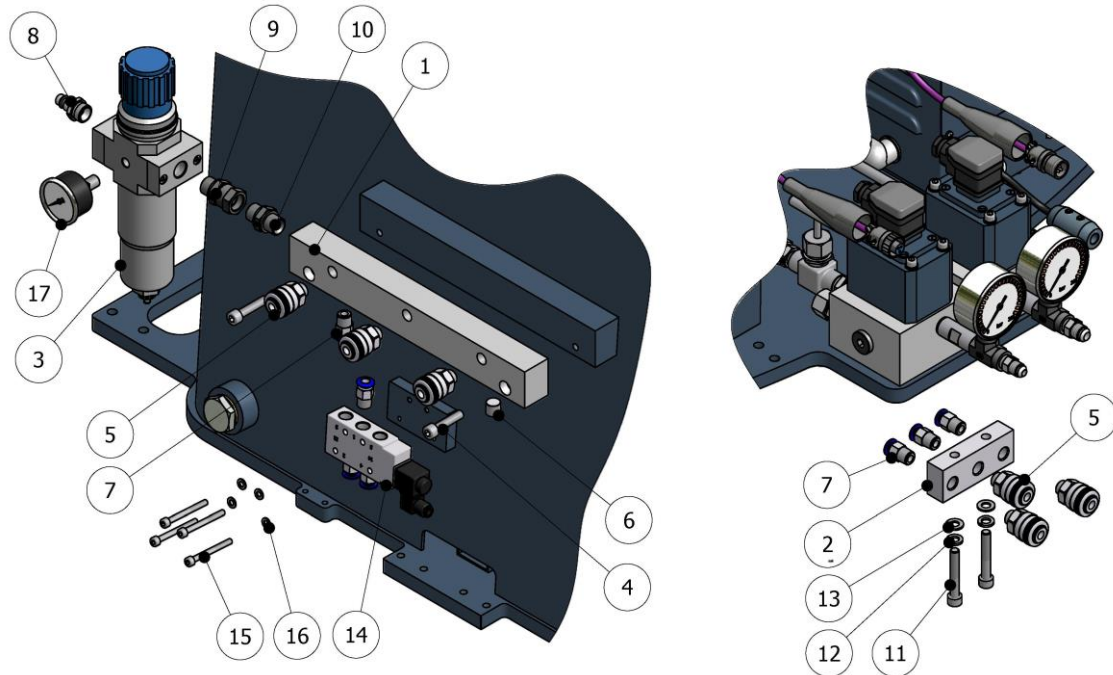


Figure 13. Pneumatic Components, Exploded View

Table 29. Pneumatic Components, Parts List

Ref.	Description	Part Number	Qty.
1	Air Manifold	MQ-05012	1
2	Air Connection Support for Gun with magnetic switch	MQ-02005	1
	Air Connection Support for Gun with Timer (Optional)	MQ-05020	1
3	Air Filter with Pressure Regulator	NE-00050	1
4	Screw	TN-00245	2
5	Fast Socket	RA-00095	4
	Fast Socket for Timer (Optional)		+2
6	Plug	RA-00120	2
7	Tube Fitting	RA-00150	2
	Tube Fitting for Timer (Optional)		+6
8	Coupler Plug	RA-00096	1
9	Swivel Union	RA-00089	1



Ref.	Description	Part Number	Qty.
10	Hex Nipple	RA-00090	1
11	Screw	TN-00090	2
12	Washer	TN-00028	2
13	Washer	TN-00119	2
14	Solenoid Valve with Coil for Timer (Optional)	NE-00042	1
15	Screw for Timer (Optional)	TN-00148	4
	Screw for Timer + Automatic Recirculation (Optional)	TN-00111	4
16	Washer	TN-00103	4
17	Manometer	NE-00033	1

MANUAL RECIRCULATION KIT # KT-00054

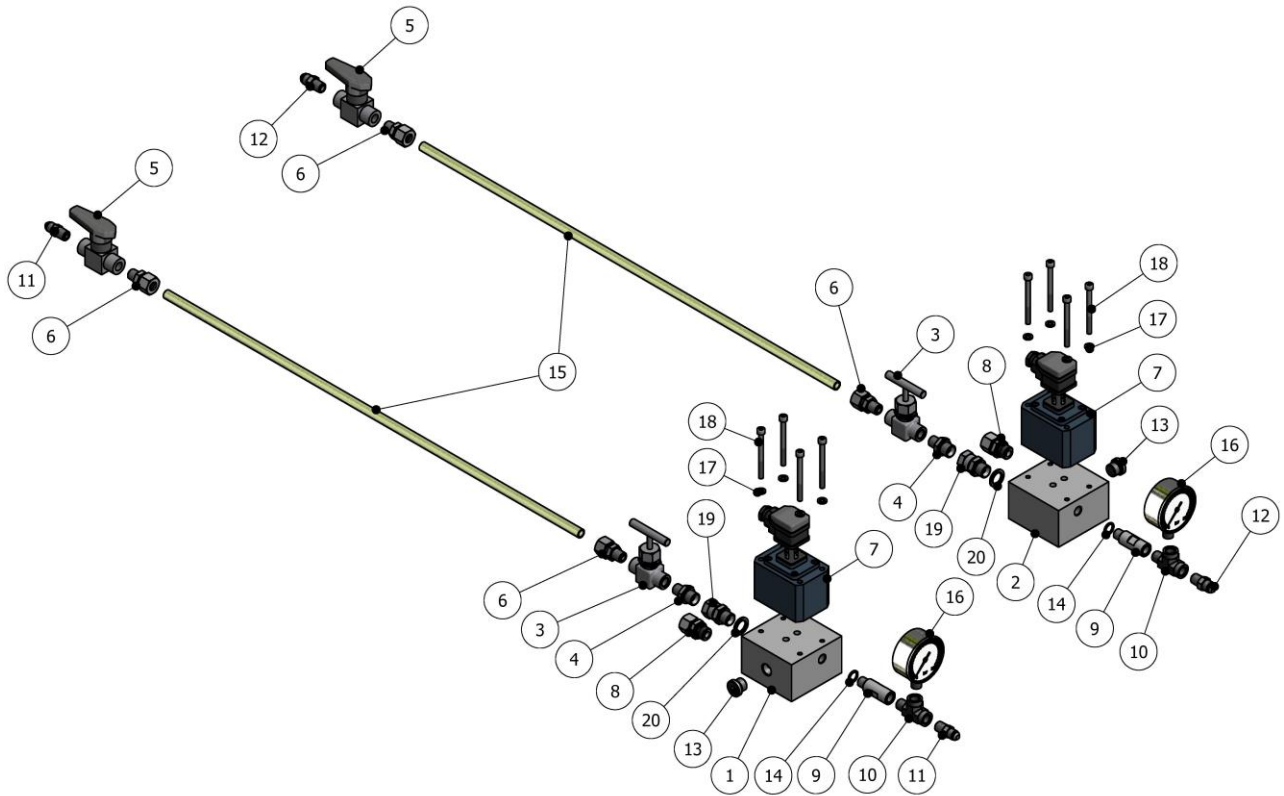


Figure 14. Manual Recirculation Kit # KT-00054

Table 30. Manual Recirculation Kit, Parts List

Ref.	Description	Part Number	Qty.
1	A Base Plate	MQ-05007	1
2	R Base Plate	MQ-05008	1
3	Manual Valve	RA-00264	2
4	Hex Nipple	RA-00160	2
5	Ball Valve	RA-00217	2
6	Male Stud Connector	RA-00033	4
7	Flow Meter	EL-00079-01	2
8	Male Stud Connector	RA-00036	2
9	Swivel Union	RA-00100	2
10	Pipe Tee	RA-00018	2



Ref.	Description	Part Number	Qty.
11	Hose Nipple	RA-00146	2
12	Hose Nipple	RA-00147	2
13	Plug	RA-00049	2
14	Seal	OR-00054	2
15	Tube	MP-00002 (*)	2
16	Liquid Fill Gauge	HI-00035	2
17	Lock Washer	TN-00025	8
18	Socket Head Cap Screw	TN-00178	8
19	Swivel union	RA-00089	2
20	Seal	OR-00018	2

N.B.:

Optionally this recirculation kit will be completed up to the tanks with the KT-00038-08.

The codes of the marked parts (), are referenced to the code of the raw material.*

Table 31. Flow Meter Model List

Ref.	Description	Part Number	Qty.
7	Flow Meter Model 1 (Fa. VSE)	EL-00079	2
	Flow Meter Model 2 (Fa. Kracht)	EL-00079-01	2

N.B.:

When you need a spare of the flow meter element, you will have to identify which model equips your unit and then request the suitable reference.

AUTOMATIC RECIRCULATION KIT # KT-00055

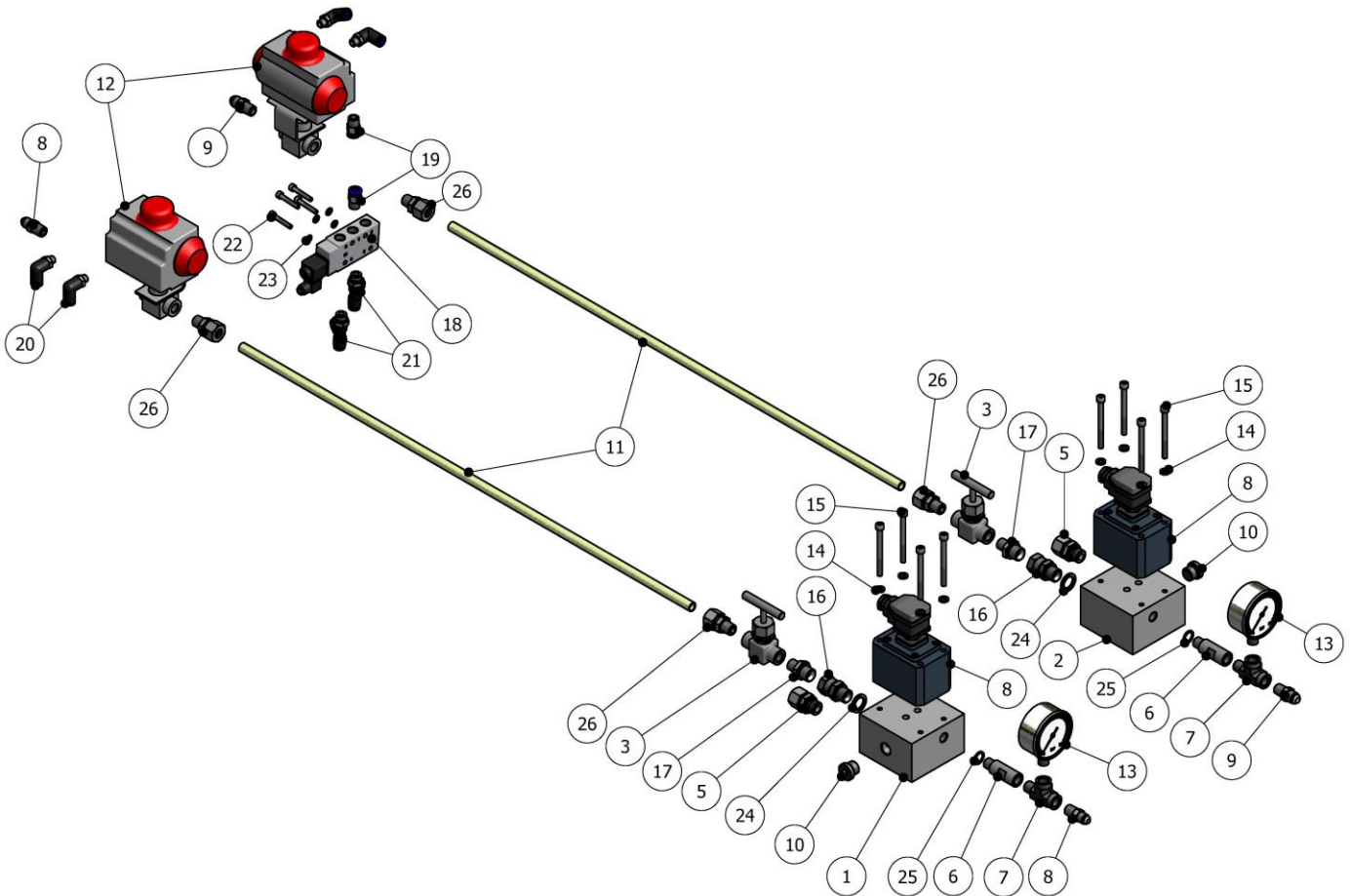


Figure 15. Automatic Recirculation Kit # KT-00055

Table 32. Automatic Recirculation Kit, Parts List

Ref.	Description	Part Number	Qty.
1	A Base Plate	MQ-05007	1
2	R Base Plate	MQ-05008	1
3	Manual Valve	RA-00264	2
4			
5	Male Stud Connector	RA-00036	2
6	Swivel Union	RA-00100	2
7	Pipe Tee	RA-00018	2



Ref.	Description	Part Number	Qty.
8	Flow Meter	See Table 31	1
8	Hose Nipple	RA-00146	2
9	Hose Nipple	RA-00147	2
10	Plug	RA-00049	2
11	Tube	MP-00002 (*)	2
12	Ball Valve Threaded Connection & Pneumatic Actuator	NE-00023	2
13	Liquid Fill Gauge	HI-00035	2
14	Lock Washer	TN-00025	8
15	Socket Head Cap Screw	TN-00178	8
16	Swivel Union	RA-00089	2
17	Hex Nipple	RA-00160	2
18	Solenoid Valve with Coil	NE-00042	1
19	Tube Fitting	RA-00150	2
20	Push-in L-Fitting	RA-00248	4
21	Push-in T-Fitting	RA-00249	2
22	Screw	TN-00148	4
	Screw for Recirculation + Timer	TN-00111	4
23	Washer	TN-00103	4
24	Seal	OR-00018	2
25	Seal	OR-00054	2
26	Male Stud Connector	RA-00033	4

N.B.:

Optionally this recirculation kit will be completed up to the tanks with the KT-00038-08.

The codes of the marked parts (), are referenced to the code of the raw material.*

MANUAL RECIRCULATION KIT WITHOUT FLOW METERS # KT-00056

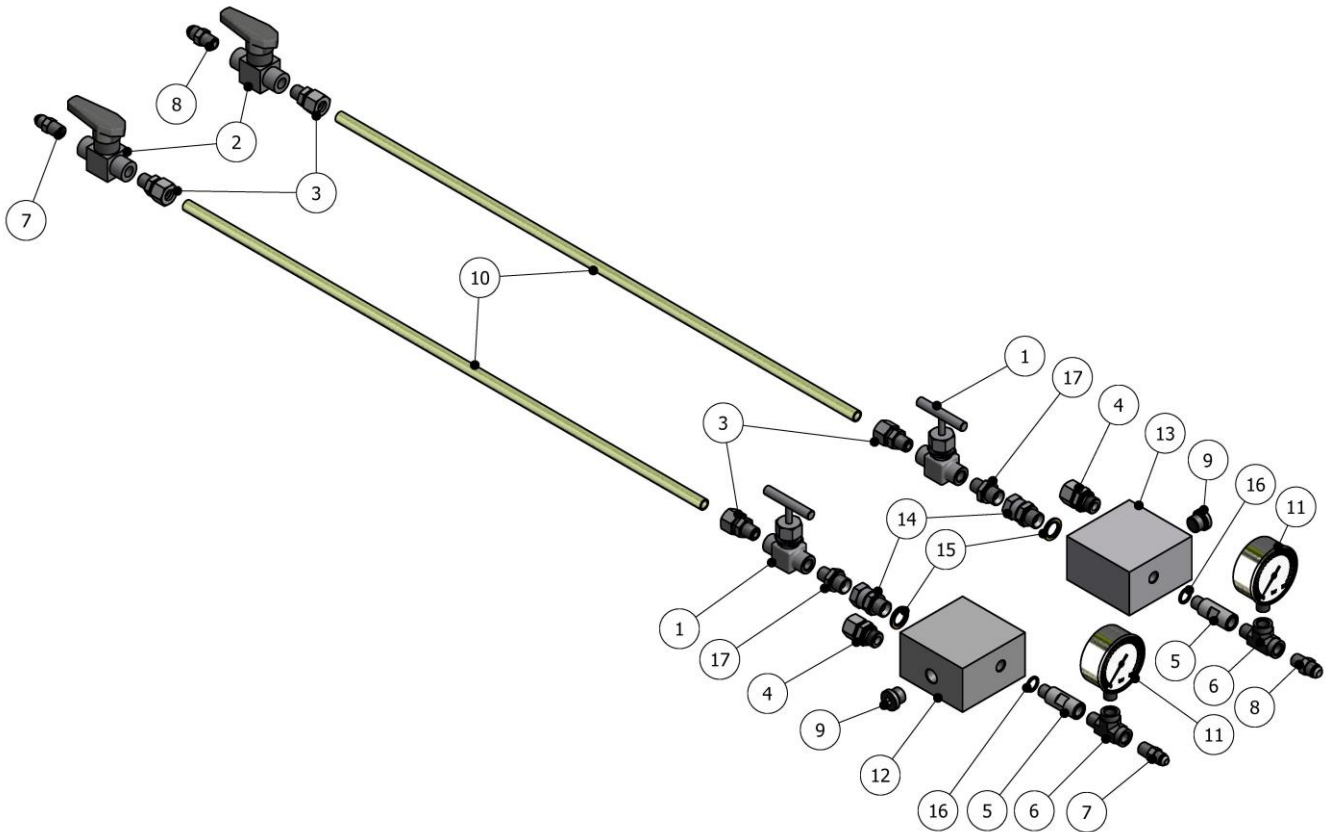


Figure 16. Manual Recirculation Kit Without Flow Meters # KT-00054

Table 33. Manual Recirculation Kit Without Flow Meters, Parts List

Ref.	Description	Part Number	Qty.
1	Manual Valve	RA-00264	2
2	Ball Valve	RA-00217	2
3	Male Stud Connector	RA-00033	4
4	Male Stud Connector	RA-00036	2
5	Swivel Union	RA-00100	2
6	Pipe Tee	RA-00018	2
7	Hose Nipple	RA-00146	2
8	Hose Nipple	RA-00147	2



Ref.	Description	Part Number	Qty.
9	Plug	RA-00049	2
10	Tube	MP-00002 (*)	2
11	Liquid Fill Gauge	HI-00035	2
12	Base Plate without Flow Meter (ISO)	MQ-05015	1
13	Base Plate without Flow Meter (POL)	MQ-05016	1
14	Swivel Union	RA-00089	2
15	Seal	OR-00018	2
16	Seal	OR-00054	2
17	Hex Nipple	RA-00160	2

N.B.:

Optionally this recirculation kit will be completed up to the tanks with the KT-00038-08.

The codes of the marked parts (), are referenced to the code of the raw material.*

GENERIC RECIRCULATION KIT # KT-00038-08 (OPTIONAL)

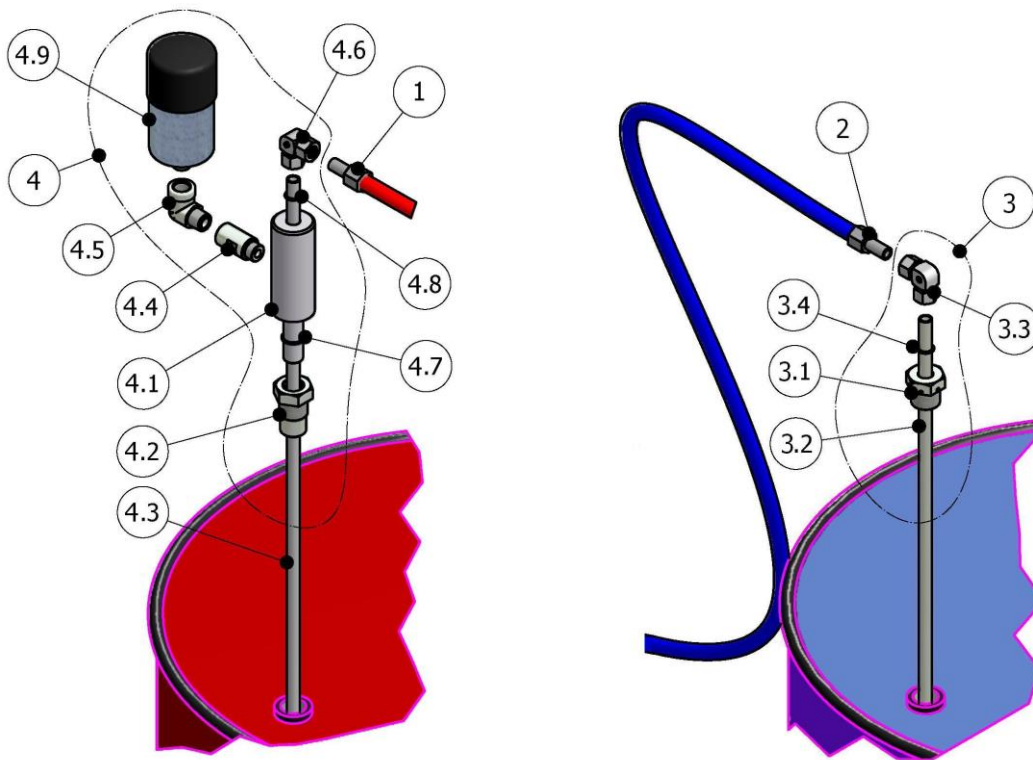


Figure 17. Generic Recirculation Kit Ref. KT-00038-08 (optional)

Table 34. Generic Recirculation Kit, Parts List

item.	Description	Part Number	Qty.
1	A-Hose 3 mts	MA-00050-01	1
2	R-Hose 3 mts	MA-00050-00	1
3	Assy. Connection to Tank without Filter	MQ-05010-00	1
3.1	Connection Tank	MQ-05009-A	1 (#)
3.2	Pipe	HI-00075	1 (#)
3.3	Elbow for Pipe	RA-00200	1 (#)
3.4	O-Ring	OR-00011	1 (#)

It continues on the next page.



It continues of the previous page

item	Description	Part Number	Qty.
4	Assy. Connection to Tank with Filter	MQ-05009-00	1
4.1	Body Connection	MQ-05010	1 (*)
4.2	Connection Tank	MQ-05009	1 (*)
4.3	Pipe	HI-00075	1 (*)
4.4	Extension	RA.00256	1 (*)
4.5	Elbow	RA-00257	1 (*)
4.6	Elbow for Pipe	RA-00200	1 (*)
4.7	O-Ring	OR-00055	2 (*)
4.8	O-Ring	OR-00011	1 (*)
4.9	Deshumidifier Filter	NE-00045	1 (*)

N.B.:

(*) Parts included in item 4

(#) Parts included in item 3

This Optional kit, connects the recirculation from the rear side of the machine up to the tanks of product and it complements itself with the kits KT-00054/55 and 56.

TRANSFER PUMPS SUPPORT (OPTIONAL)

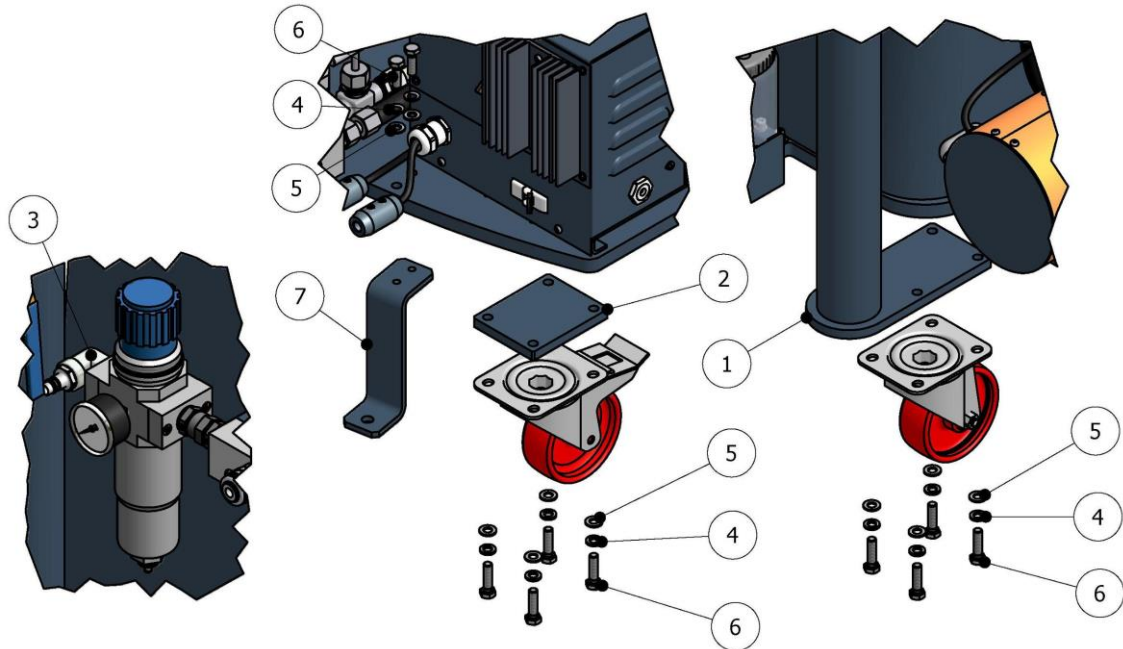
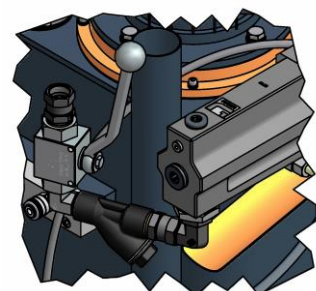


Figure 18. Transfer Pumps Support (optional)

Table 35. Transfer Pumps Support; Parts List (optional)

Ref.	Description	Part Number	Qty.
1	Transfer Pumps Support	MQ-01015-00	2
	Plug	RA-00013	2
2	Supplement Plate	MQ-01015-03	2
3	Elbow	RA-00257	1
4	Lock Washer	TN-00028	20
5	Washer	TN-00119	20
6	Hex Head Cap Screw	TN-00054	20
7	"Z" Bracket with Transfer Pumps Bracket	MQ-02014	2

Note: When transfer pump supports are fixed to the machine, the connectors in the product inlets must be re-orientated towards the corresponding proportioning pumps, as shown in the image.



HOSES THERMOCOUPLES DETAIL

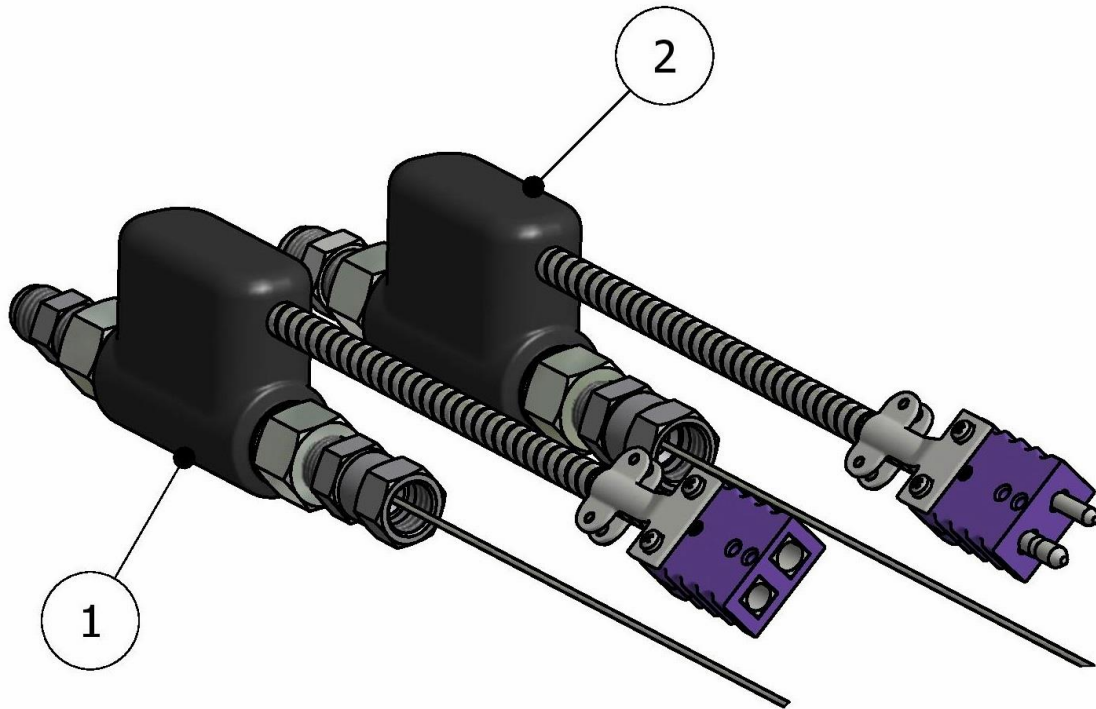


Figure 19. Hoses Thermocouples Detail

Table 36. Hoses Thermocouples, Parts List

Ref.	Description	Part Number	Qty.
	Double Thermocouple Assy	EL-00052-00E	1
1	ISO Thermocouple Assy	EL-00051-02E	1
1.1	ISO Thermocouple	EL-00051-01E	1
1.2	Swivel Union	RA-00148	1
1.3	Nipple	RA-00146	1
2	POL Thermocouple Assy.	EL-00052-02E	1
2.1	POL Thermocouple	EL-00052-01E	1
2.2	Swivel Union	RA-00149	1
2.3	Nipple	RA-00147	1

Electrical Schematic Diagram 3PE~400V 50/60Hz

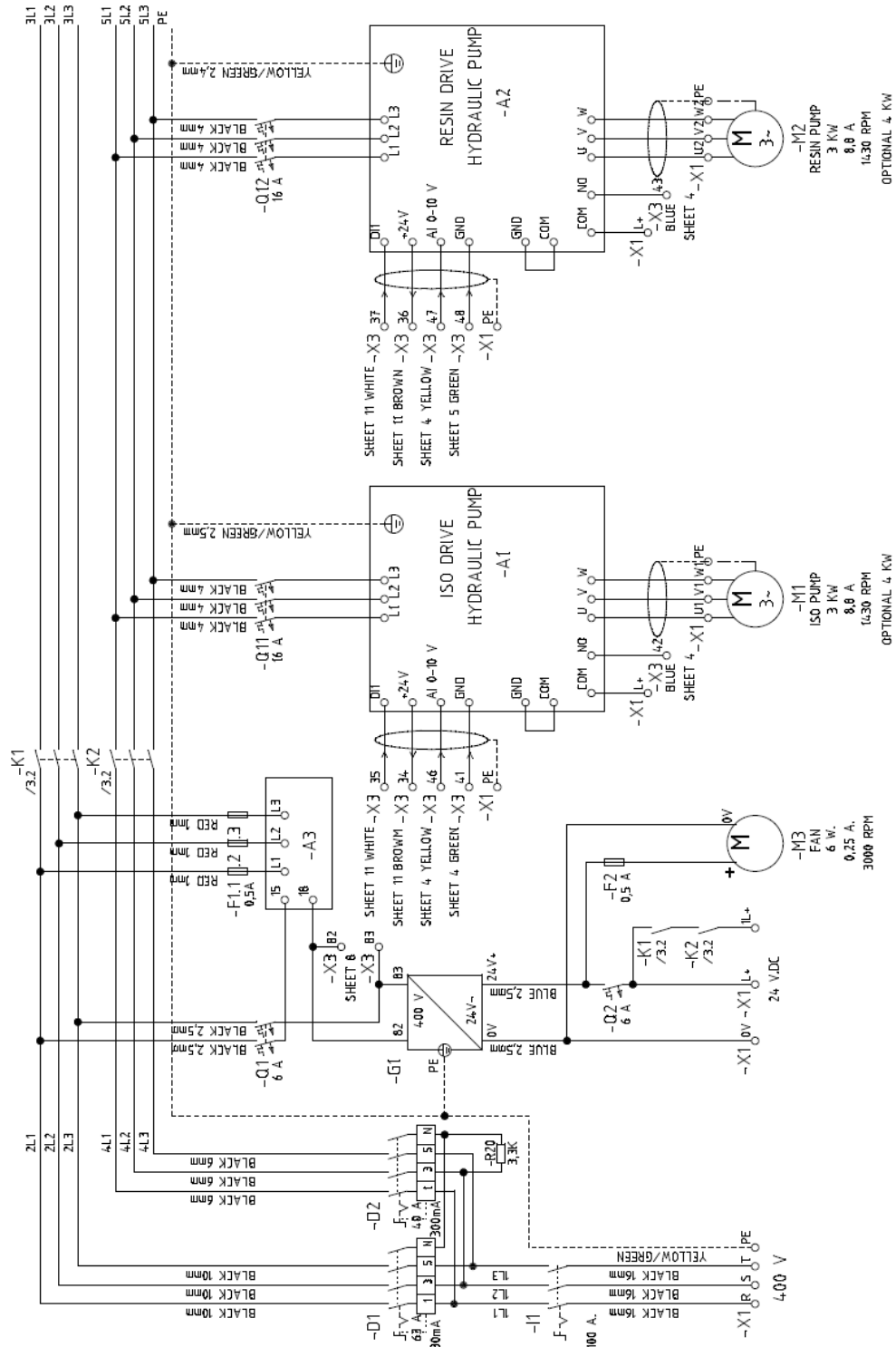


Figure 20. Electrical Schematic Diagram 3PE~400V 50/60Hz (Sheet 1 de 12)

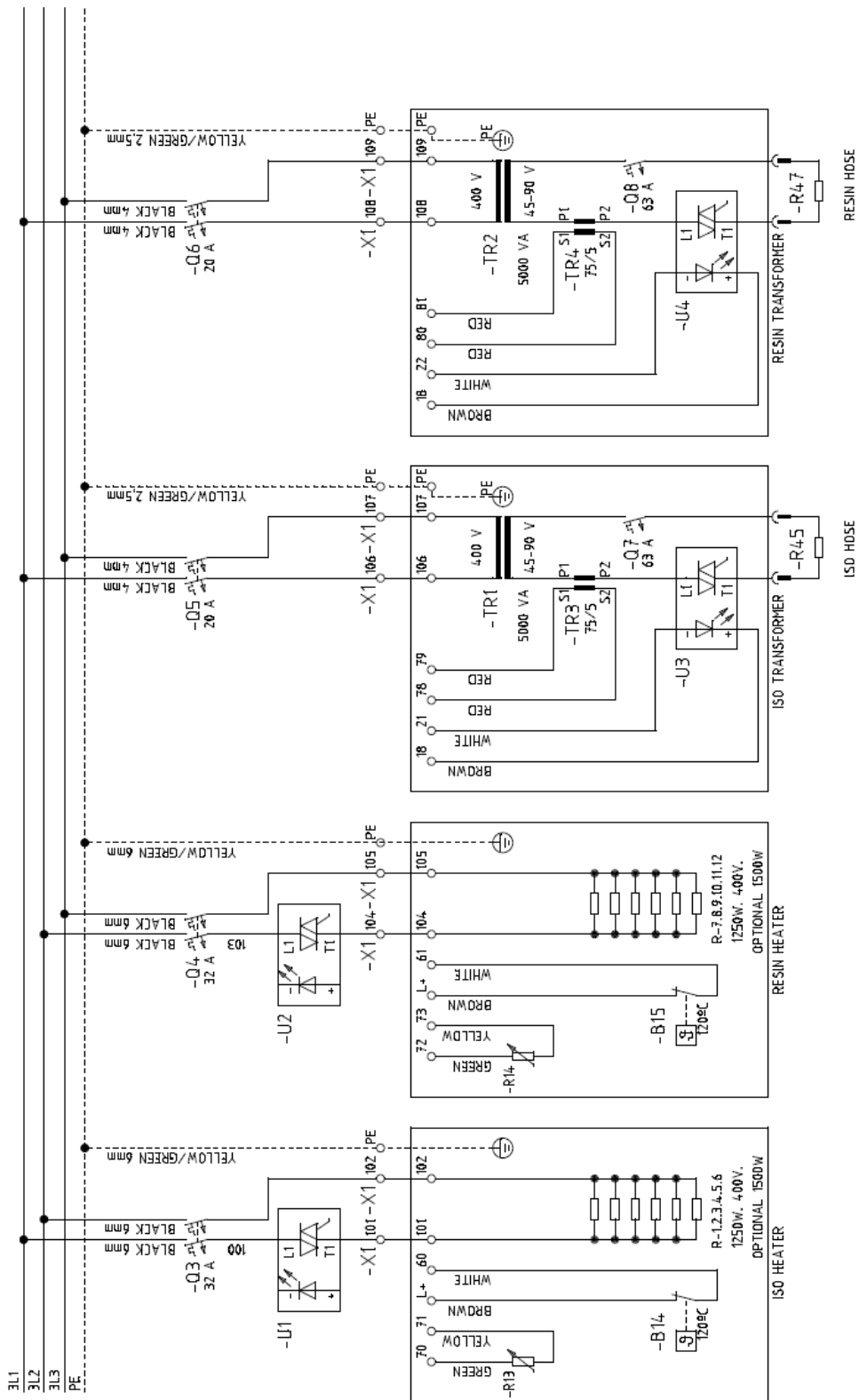


Figure 21. Electrical Schematic Diagram 3PE~400V 50/60Hz (Sheet 2 de 12)

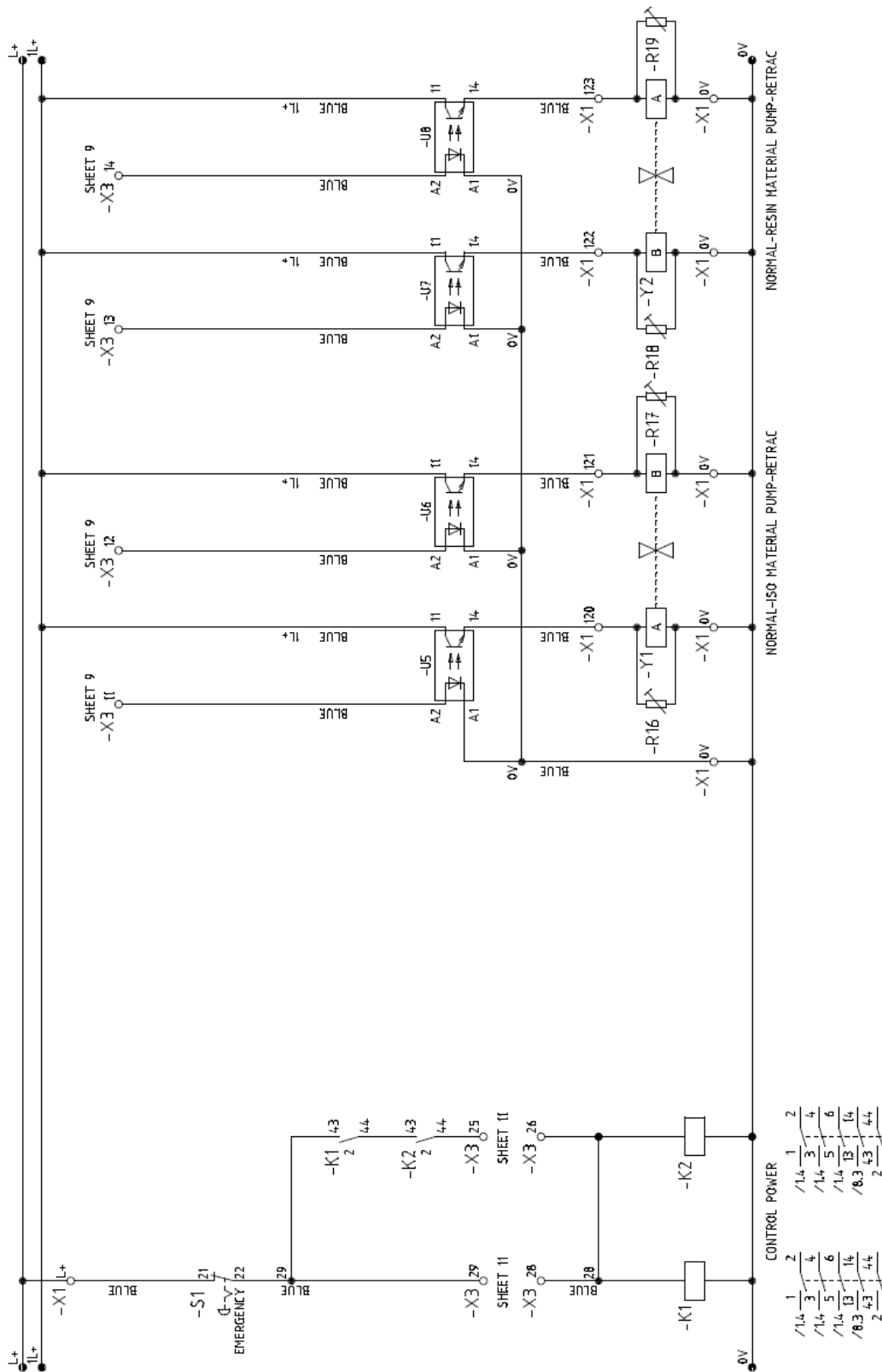


Figure 22. Electrical Schematic Diagram 3PE~400V 50/60Hz (Sheet 3 de 12)

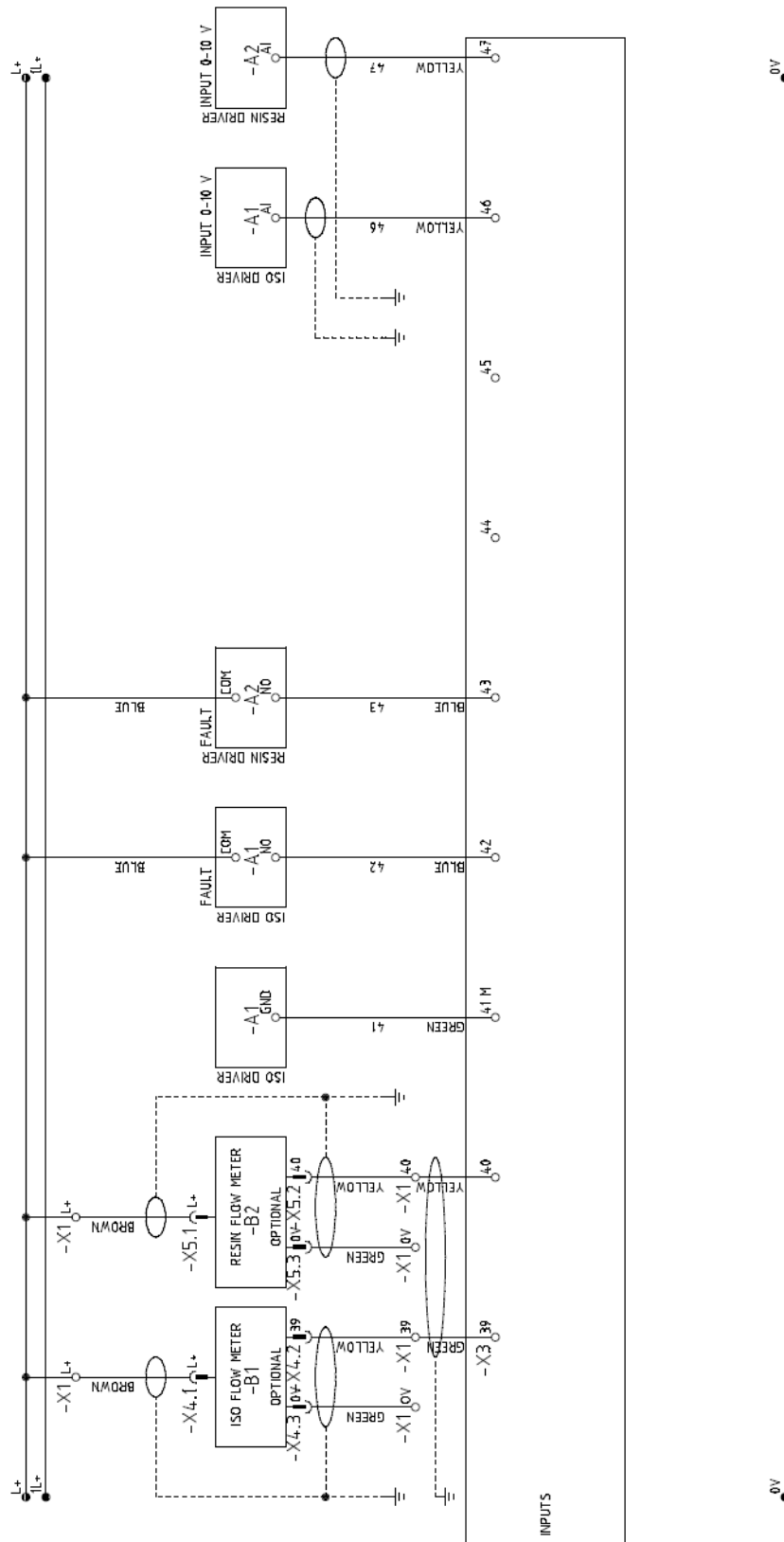


Figure 23. Electrical Schematic Diagram 3PE~400V 50/60Hz (Sheet 4 de 12)

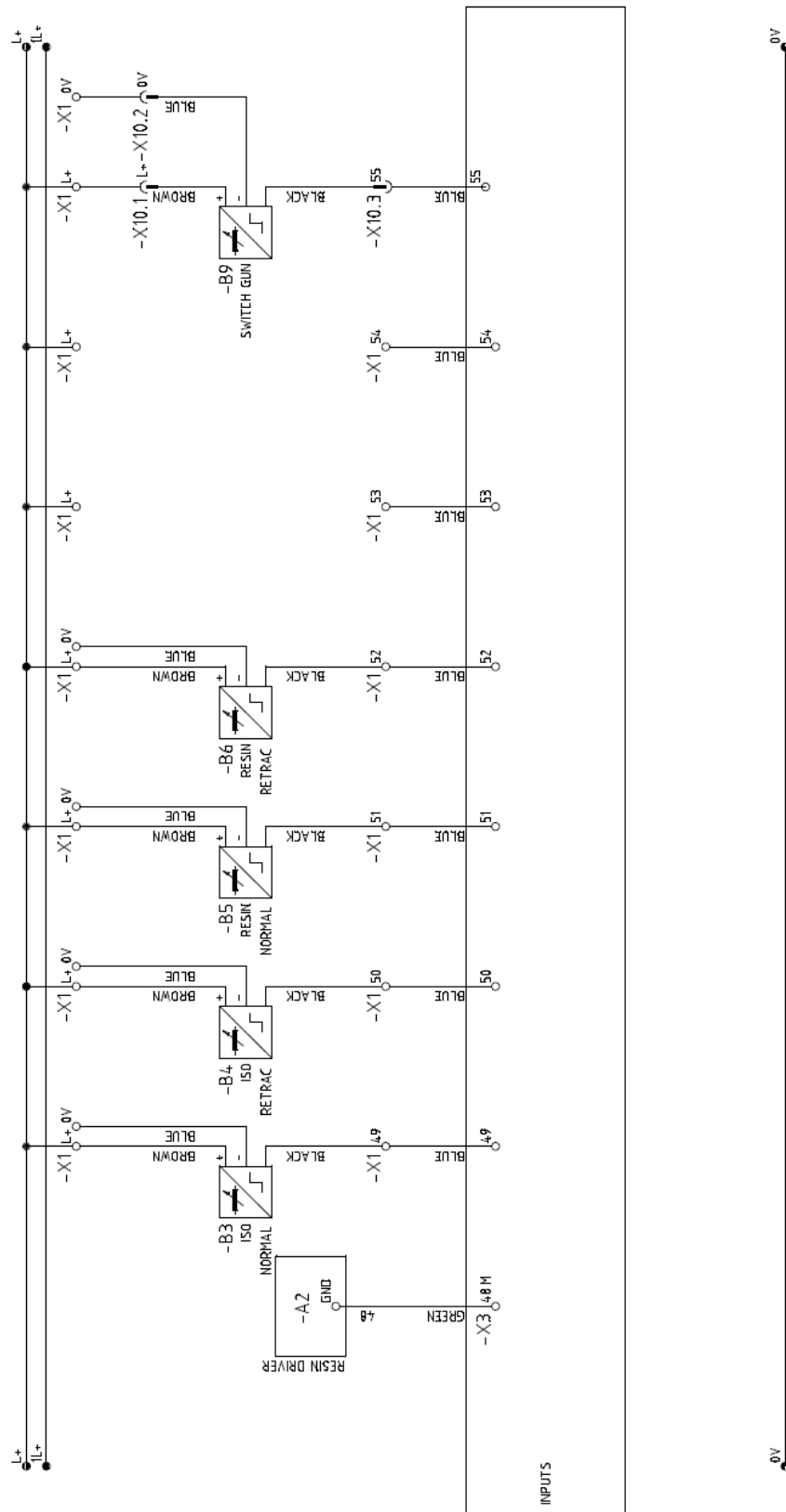


Figure 24. Electrical Schematic Diagram 3PE~400V 50/60Hz (Sheet 5 de 12)

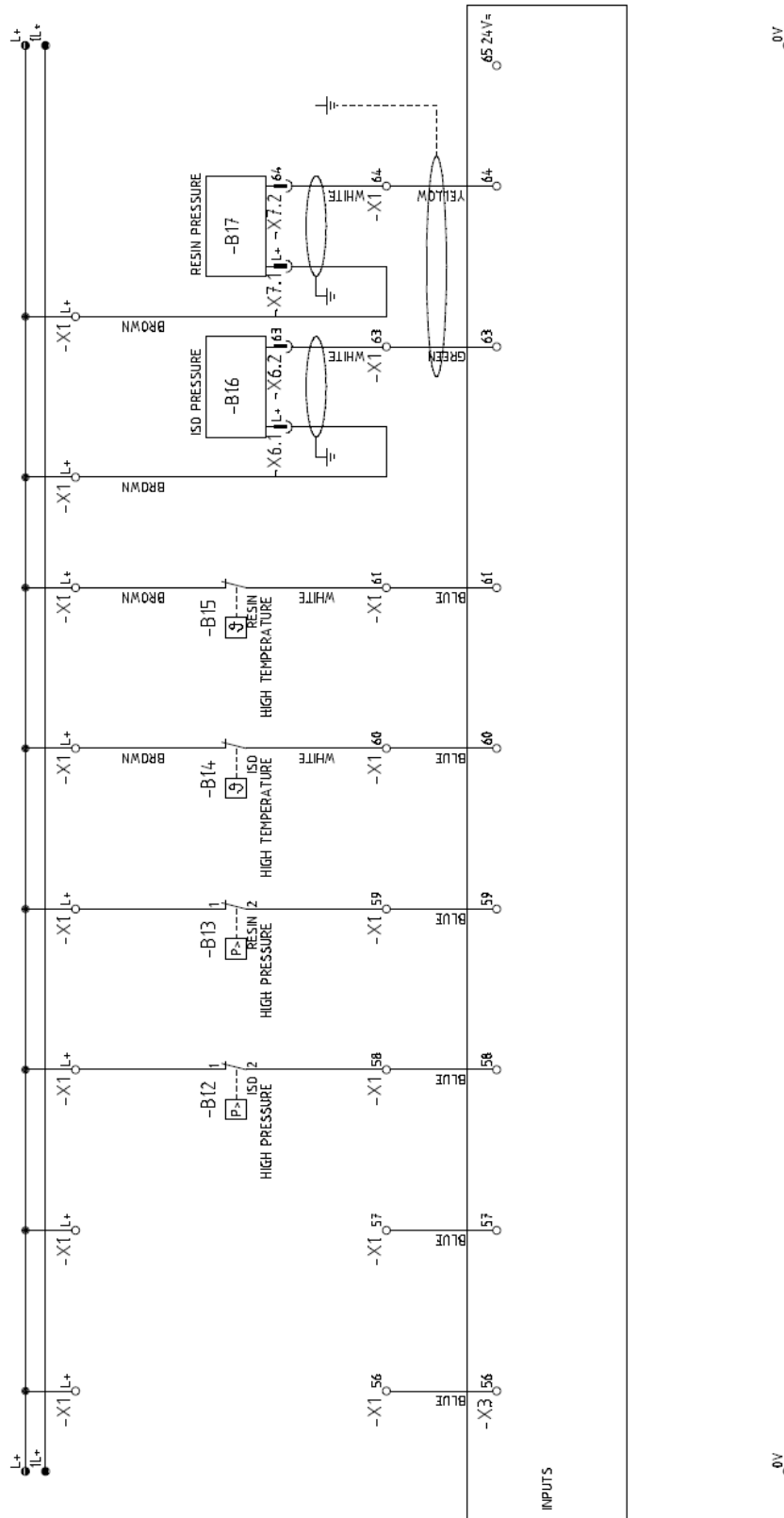


Figure 25. Electrical Schematic Diagram 3PE~400V 50/60Hz (Sheet 6 de 12)

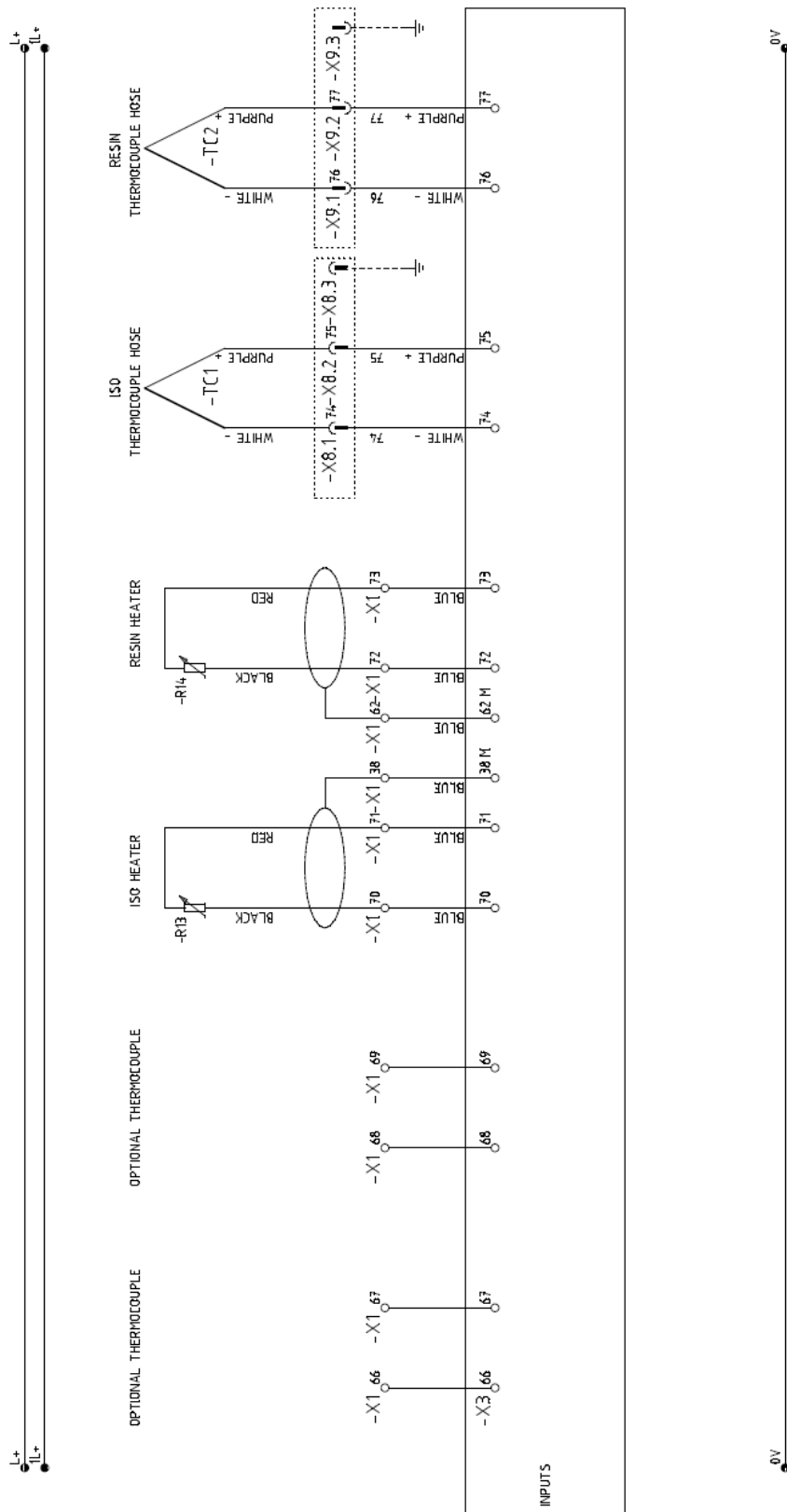


Figure 26. Electrical Schematic Diagram 3PE-400V 50/60Hz (Sheet 7 de 12)

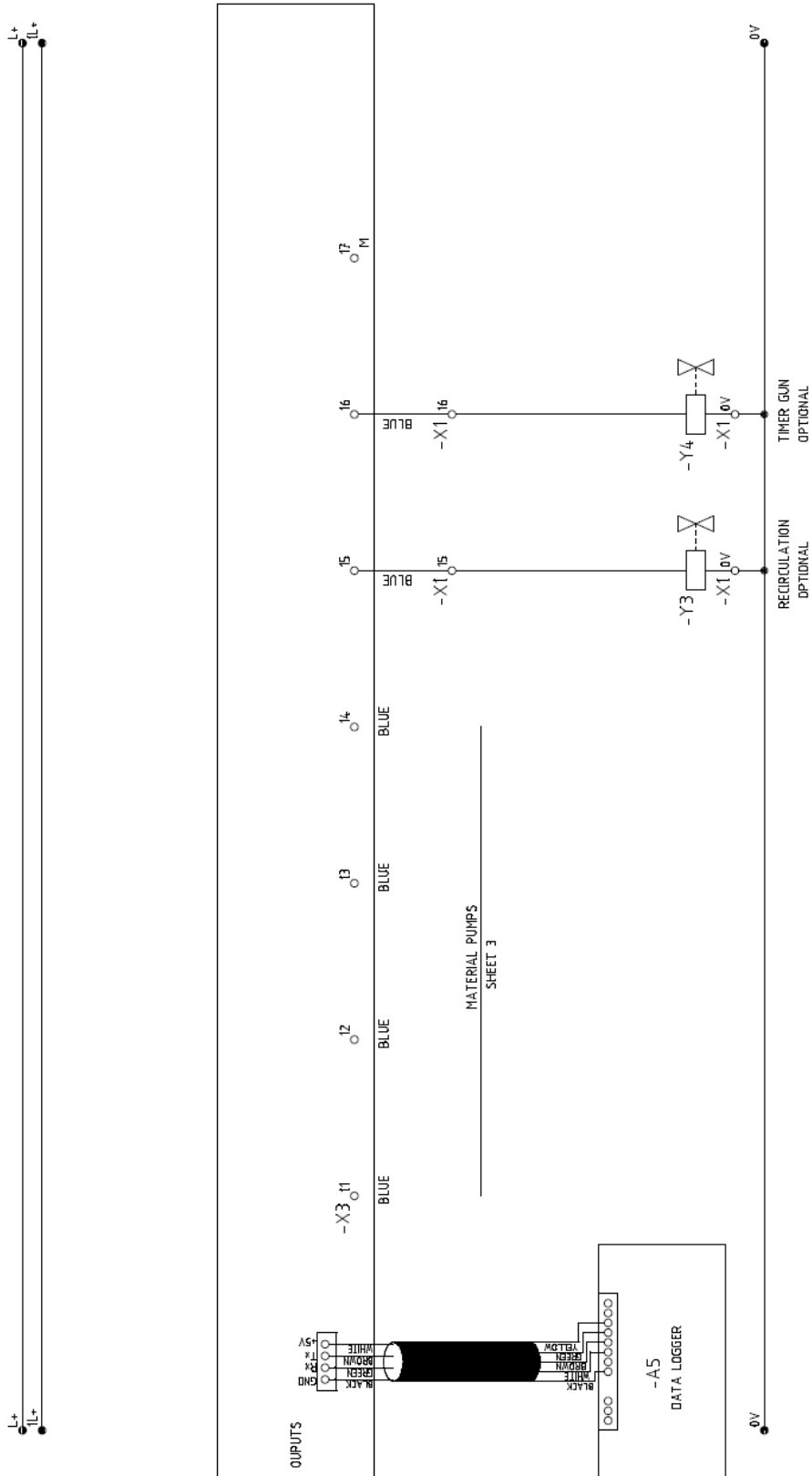


Figure 28. Electrical Schematic Diagram 3PE~400V 50/60Hz (Sheet 9 de 12)

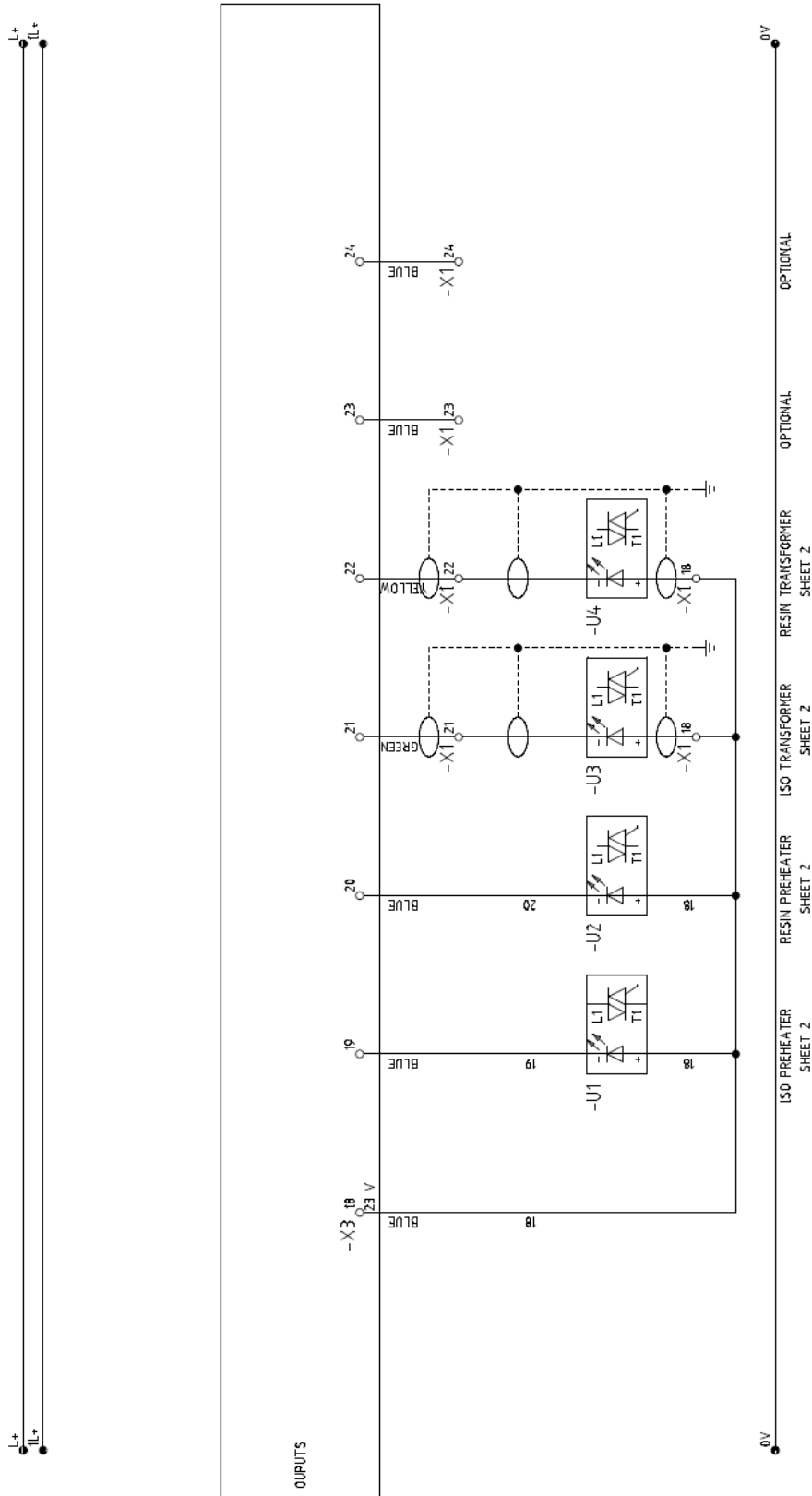


Figure 29. Electrical Schematic Diagram 3PE~400V 50/60Hz (Sheet 10 de 12)

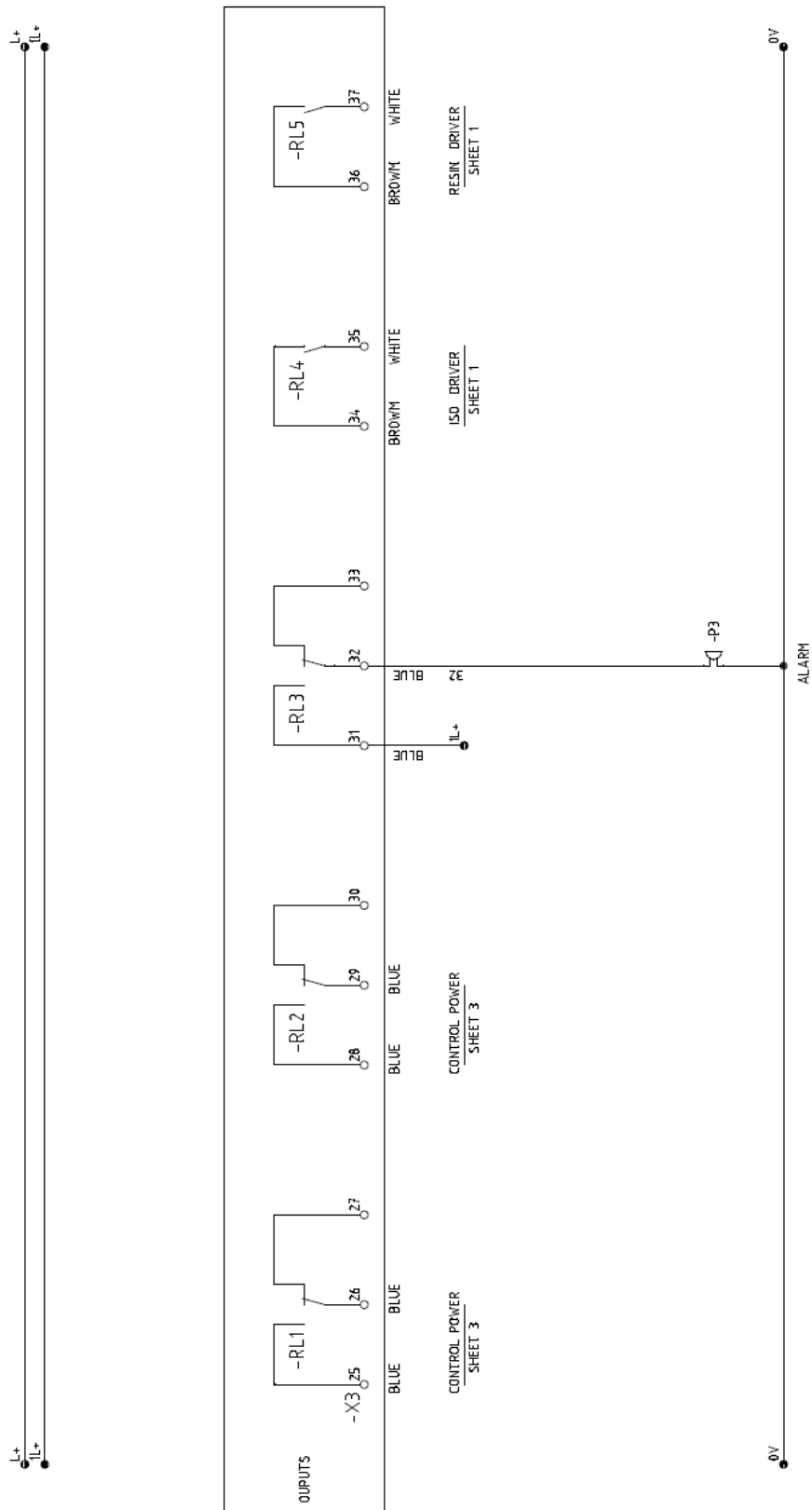


Figure 30. Electrical Schematic Diagram 3PE~400V 50/60Hz (Sheet 11 de 12)

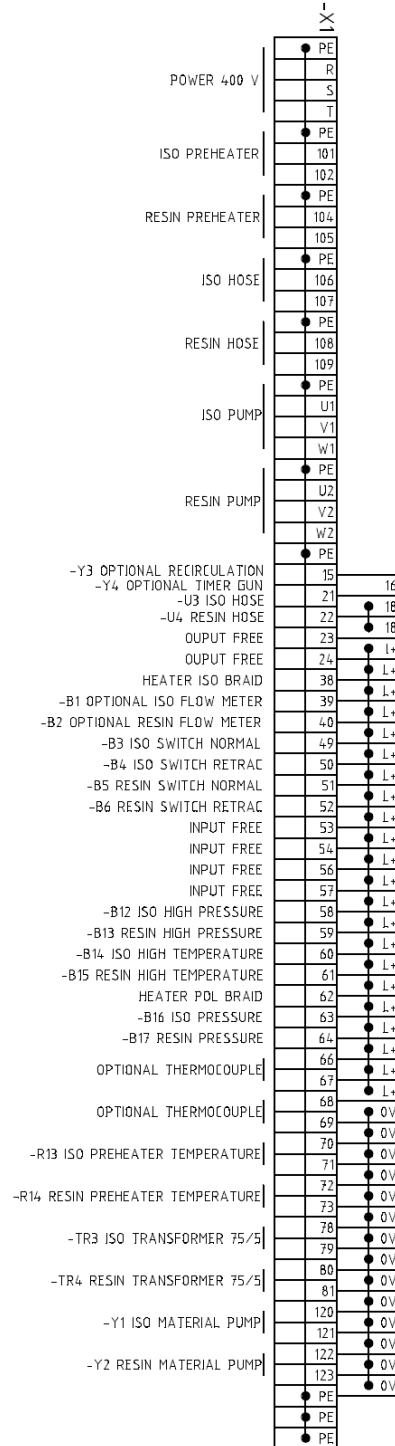


Figure 31. Electrical Sche

'Sheet 12 de 12)

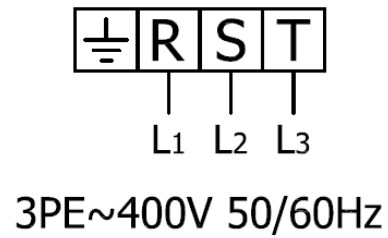


Figure 33. Electrical Connection 3PE~400V 50/60Hz

Table 37. Electrical Schematic Diagram 3PE~400V 50/60Hz, Parts List

Ref.	Description	Part Number	Qty.
K1.2	CONTACTOR	EL-00123-02	2
K1.2	ADITIONAL CONTACT	EL-00120-05	2
	EMERGENCY BUTTON	EL-00131-00	1
A3	FASE CONTROL	EL-00164-00	1
U1 U2	STATIC RELAY	EL-00126-03	2
I1	SWITCH 100 A.	EL-00107-23	1
I1	CONTROL SWITCH	EL-00107-19	1
U5.6.7 .8	SOLID RELAY	EL-00126-06	4
U5.6.7 .8	SOLID RELAY SUPPORT	EL-00126-07	4
P3	ACUSTIC	EL-00130-00	1
	GROUND TERMINAL 6	EL-00104-08	7*
	GROUND TERMINAL 2,5	EL-00104-11	4*
	BEIGE TERMINAL 6	EL-00104-06	14*
	GROUND TERMINAL 16	EL-00104-05	1*
	BEIGE TERMINAL 16	EL-00104-03	3*
	DOUBLE TERMINAL 2,5	EL-00104-18	39*
	BOLSA SEÑALIZADOR	EL-00104-19	1*
	END SQUARE	EL-00104-17	1*
	SUPPORT 45°	EL-00106-01	3*
	UNION PLATE	EL-00104-15	4*
D1	DIFFERENTIAL SWITCH 4P 63A 0,03A	EL-00108-04	1
D2	DIFFERENTIAL SWITCH 4P 40A 0,3A	EL-00108-07	1
	CONNECTION SET 4P-2EL	EL-00120-08	1
	CONNECTION SET 3P-2EL	EL-00120-09	1
F1.2	FUSE POINT	EL-00104-13	4
G1	SIEMENS SUPPLY 10 A.	EL-00135-00	1
	MEAN WELL SUPPLY	EL-00135-07	
F1.2	FUSE	EL-00128-00	8
Q3 Q4	CIRCUIT BREAKER 32A	EL-00115-03	2
Q1	CIRCUIT BREAKER 6A	EL-00110-04	1



Ref.	Description	Part Number	Qty.
Q11 Q12	CIRCUIT BREAKER 16A	EL-00112-02	2
Q5 Q6	CIRCUIT BREAKER 20A	EL-00113-04	2
Q2	CIRCUIT BREAKER 6A	EL-00110-00	1
U3 U4	TRIAC	EL-00126-02	2
A1 A2	ABB FREQUENCY CONVERTER	EL-00134-02	2
	LENZE FREQUENCY CONVERTER	EL-00134-08	
	KEYPAD LENZE FREQUENCY CONVERTER	EL-00134-09	2
	FILTERS	EL-00132-00	2
M3	FAN	EL-00133-01	1
R20	RESISTENCE 3,3 K. ? 6 W.	EL-00129-01	1
	CHANNEL	EL-00106-04	2
	PROFIL	EL-00106-00	2
TR1 TR2	HOSE TRANSFORMER	EL-00127-15	2
TR3 TR4	INTENSITY TRANSFORMER	EL-00127-03	2
R16.1 7.18.1 9	VARISTOR	EL-00129-00	4
X10	BASEBOARD	EL-00096-04	1
X10	CONTACTOR BLOCK	EL-00096-05	1
B3.4.5 .6	SWITCH	EL-00136-03	4
B3.4.5 .6	SWITCH WIRE	EL-00137-03	4
	CONNECTOR M12	EL-00096-23	2**
X1	TERMINAL	EL-00105-07	1
	GROUND TERMINAL 2,5	EL-00104-11	2
	BEIGE TERMINAL 2,5	EL-00104-09	1
	CIRCUIT SPACER Ø4,5	EL-00094-03	7
	POWER CIRCUIT	EL-00078-03	1

HYDRAULIC SCHEMATIC DIAGRAM

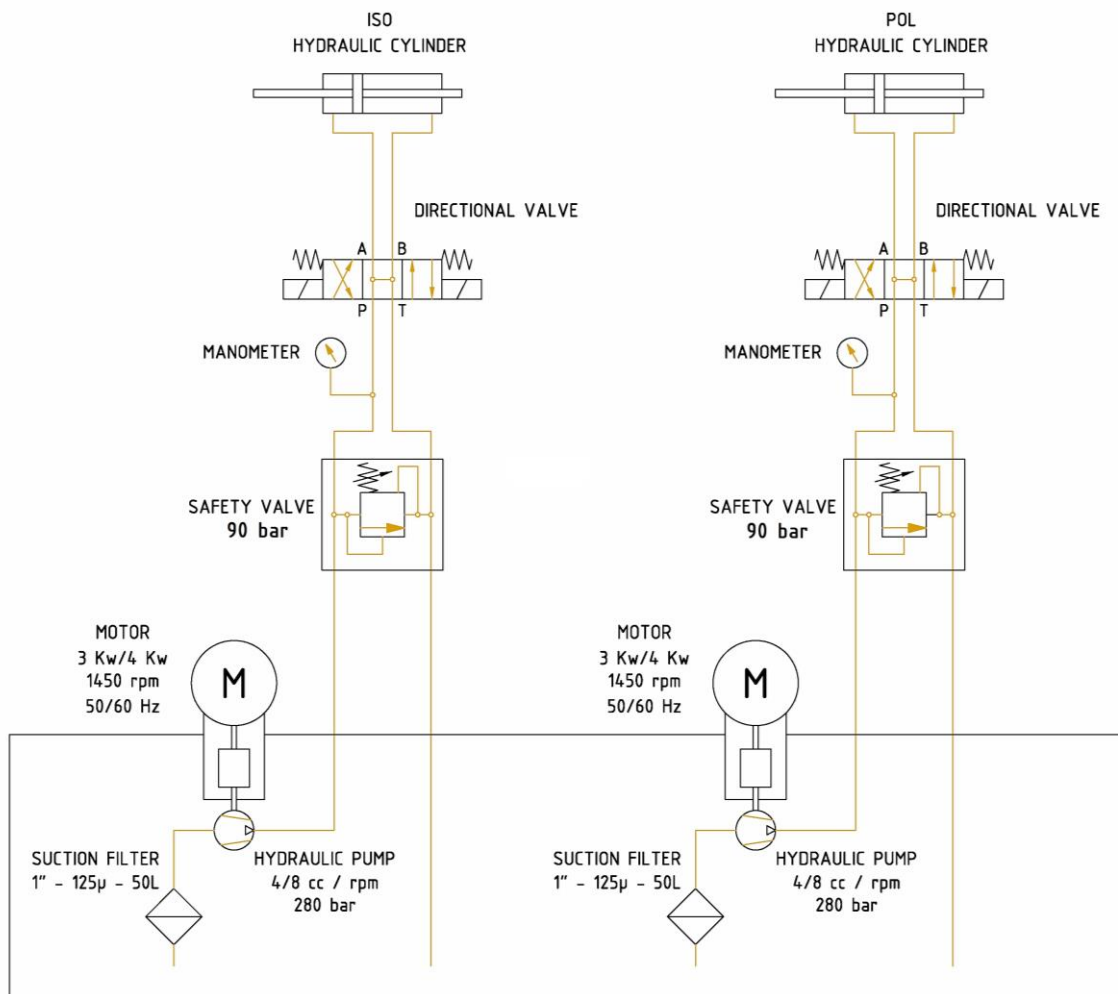


Figure 34. Hydraulic Schematic Diagram evolution VR

PNEUMATIC SCHEMATIC DIAGRAM

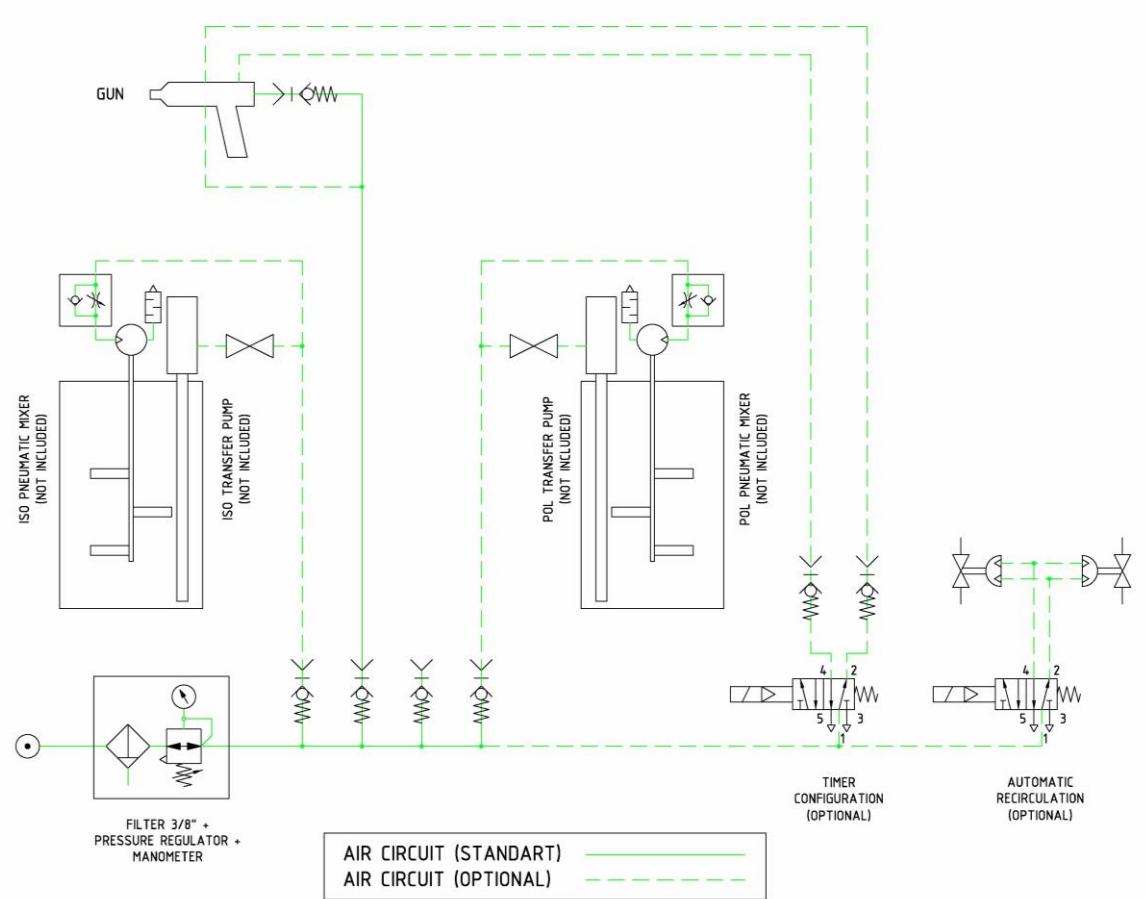


Figure 35. Pneumatic Schematic Diagram evolution VR

FUNCTIONING SCHEMATIC DIAGRAM

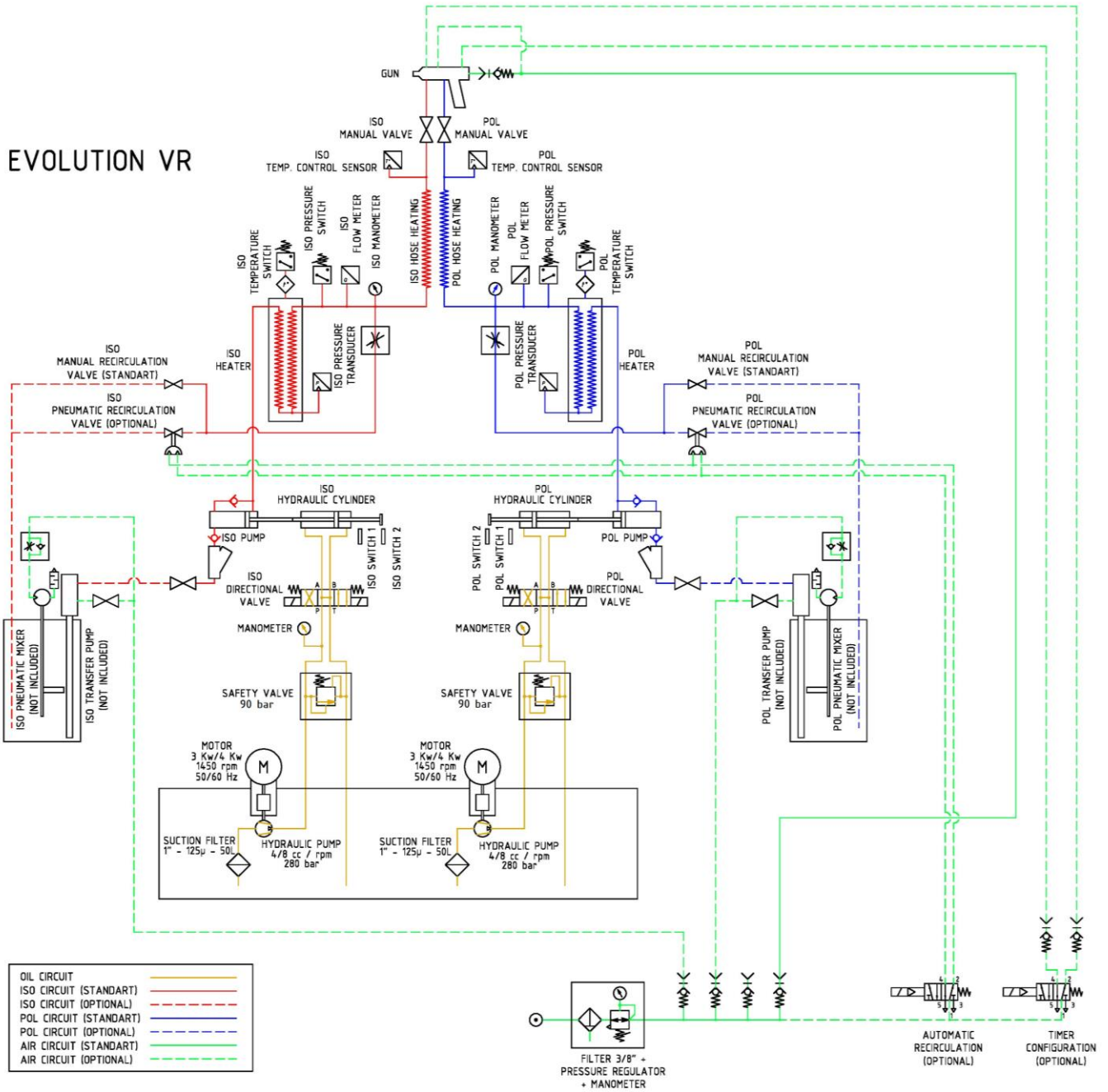


Figure 36. Functioning Schematic Diagram evolution VR



CONTENT

Warranty	2
Safety and Handling	3
Metering Unit evolution VR Model	5
Description of the nomenclature	8
Electrical Console Assembly	10
Hidraulic Manifold (Pumps with SAE connections)	12
Hidraulic Manifold (Pumps with Threaded Connections)	15
Lube Reservoir Hose Assembly	18
“A” Pump Line assembly	20
“R” Pump Line assembly	23
Hydraulic Cylinder with Spacers	26
“A” Proportioning Pump Assembly	28
“R” Proportioning Pump Assembly	31
“A” Primary Heater	34
“R” Primary Heater	37
Pneumatic Components	40
Manual Recirculation Kit # KT-00054	42
Automatic Recirculation Kit # KT-00055	44
Manual Recirculation Kit without Flow Meters # KT-00056	46
Generic Recirculation Kit # KT-00038-08 (Optional)	48
Transfer Pumps Support (optional)	50
Hoses Thermocouples Detail	51
Electrical Schematic Diagram 3PE~400V 50/60Hz	52
Hydraulic Schematic Diagram	68
Pneumatic Schematic Diagram	69
Functioning Schematic Diagram	70
Content	71
List of Illustrations	72
List of Tables	73



LIST OF ILLUSTRATIONS

Figure 1. Metering Unit evolution VR Model	5
Figure 2. Electrical Console Assembly, evolution VR	10
Figure 3. Hyd. Manifold (Pumps with SAE Connections),exploded View	12
Figure 4. Hyd. Manifold (Pumps with Threaded Connections),exploded View	15
Figure 5. Lube Reservoir Hose Assembly, Exploded View	18
Figure 6. "A" Pump Line Assembly, Exploded View	20
Figure 7. "R" Pump Line Assembly, Exploded View	23
Figure 8. Hydraulic Cylinder with Spacers, Exploded View	26
Figure 9. "A" Proportioning Pump Assembly, Exploded View	28
Figure 10. "R" Proportioning Pump Assembly, Exploded View	31
Figure 11. "A" Primary Heater, Exploded View	34
Figure 12. "R" Primary Heater, Exploded View	37
Figure 13. Pneumatic Components, Exploded View	40
Figure 14. Manual Recirculation Kit # KT-00054	42
Figure 15. Automatic Recirculation Kit # KT-00055	44
Figure 16. Manual Recirculation Kit Without Flow Meters # KT-00054	46
Figure 17. Generic Recirculation Kit Ref. KT-00038-08 (optional)	48
Figure 18. Transfer Pumps Support (optional)	50
Figure 19. Hoses Thermocouples Detail	51
Figure 20. Electrical Schematic Diagram 3PE~400V 50/60Hz (Sheet 1 de 12)	52
Figure 21. Electrical Schematic Diagram 3PE~400V 50/60Hz (Sheet 2 de 12)	53
Figure 22. Electrical Schematic Diagram 3PE~400V 50/60Hz (Sheet 3 de 12)	54
Figure 23. Electrical Schematic Diagram 3PE~400V 50/60Hz (Sheet 4 de 12)	55
Figure 24. Electrical Schematic Diagram 3PE~400V 50/60Hz (Sheet 5 de 12)	56
Figure 25. Electrical Schematic Diagram 3PE~400V 50/60Hz (Sheet 6 de 12)	57
Figure 26. Electrical Schematic Diagram 3PE~400V 50/60Hz (Sheet 7 de 12)	58
Figure 27. Electrical Schematic Diagram 3PE~400V 50/60Hz (Sheet 8 de 12)	59
Figure 28. Electrical Schematic Diagram 3PE~400V 50/60Hz (Sheet 9 de 12)	60
Figure 29. Electrical Schematic Diagram 3PE~400V 50/60Hz (Sheet 10 de 12)	61
Figure 30. Electrical Schematic Diagram 3PE~400V 50/60Hz (Sheet 11 de 12)	62
Figure 31. Electrical Schematic Diagram 3PE~400V 50/60Hz (Sheet 12 de 12)	63
Figure 32. Electrical Schematic Distribution 3PE~400V 50/60Hz	64



Parts Manual

Figure 33. Electrical Connection 3PE~400V 50/60Hz _____	65
Figure 34. Hydraulic Schematic Diagram evolution VR _____	68
Figure 35. Pneumatic Schematic Diagram evolution VR _____	69
Figure 36. Functioning Schematic Diagram evolution VR _____	70

LIST OF TABLES

Table 1. Metering Unit evolution VR Model, Parts List _____	6
Table 2. List of heaters as the Main Voltage of the unit _____	7
Table 3. Recirculation Kit, Parts Number List _____	8
Table 4. A Pump Line Assembly, Parts Number List _____	8
Table 5. R Pump Line Assembly, Parts Number List _____	9
Table 6. Pump Motor Assembly, Parts List _____	9
Table 7. Electrical Console, Parts List _____	11
Table 8. Hydraulic Manifold (Pumps with SAE Connections), Parts List _____	13
Table 9. Hydraulic Manifold (Pumps with Threaded Connections), Parts List _____	16
Table 10. Hydraulic Manifold, Parts List _____	17
Table 11. Lube Reservoir Hose Assembly, Parts List _____	19
Table 12. "A" Pump Line Assembly, Parts List _____	21
Table 13. "A" Proportioning Pump Size, List _____	22
Table 14. "R" Pump Line Assembly, Parts List _____	24
Table 15. "R" Proportioning Pump Size, List _____	25
Table 16. Hydraulic Cylinder with Spacers, Parts List _____	27
Table 17. "A" Proportioning Pump Assembly, Parts List _____	29
Table 18. "A" Proportioning Pump Assembly, Parts List _____	30
Table 19. Seals Monobloc "A" Pump _____	30
Table 20. Repair Seal Kit "A" Pump _____	30
Table 21. "R" Proportioning Pump Assembly, Parts List _____	32
Table 22. "R" Proportioning Pump Assembly, Parts List _____	33
Table 23. Seals Monobloc "R" Pump _____	33
Table 24. Repair Seal Kit "R" Pump _____	33
Table 25. "A" Primary Heater, Parts List _____	35
Table 26. Parts List for each model of "A"-Heater _____	36
Table 27. "R" Primary Heater, Parts List _____	38
Table 28. Parts List for each model of "R"-Heater _____	39



Table 29. Pneumatic Components, Parts List	40
Table 30. Manual Recirculation Kit, Parts List	42
Table 31. Flow Meter Model List	43
Table 32. Automatic Recirculation Kit, Parts List	44
Table 33. Manual Recirculation Kit Without Flow Meters, Parts List	46
Table 34. Generic Recirculation Kit, Parts List	48
Table 35. Transfer Pumps Support; Parts List (optional)	50
Table 36. Hoses Thermocouples, Parts List	51
Table 37. Electrical Schematic Diagram 3PE~400V 50/60Hz, Parts List	66