



# Parts Manual

## Proportioning Unit

### Easy Spray

Issue 4.9 16/01/23  
Ref. NR-00018-ENG



***Before installing the unit and starting it up, carefully read all the technical and safety documentation included in this manual. Pay special attention to the information to know and understand the handling and the conditions of use of the unit. All of the information is aimed at enhancing User Safety and avoiding possible breakdowns derived from the incorrect use of the unit.***



## WARRANTY

HI-TECH SPRAY EQUIPMENT, S. A. (hereinafter "HI-TECH") grants this Limited Guarantee to the original buyer (hereinafter the "Client") for the unit and the original accessories given with the unit (hereinafter the "Product") against any fault in the design, materials or manufacture of the Product at the time of the first purchase by the user and for a duration of two (2) years thereafter.

If during the guarantee period and under normal conditions of use, the Product should fail to work correctly due to defects of design, material or manufacture, the authorised distributor of the country where the HI-TECH Product or technical assistance service has been purchased shall repair or replace the Product in accordance with what is established in the following:

### CONDITIONS

- a) The validity of this guarantee will be subject to the presentation of the original invoice issued by the HI-TECH authorised distributor for the sale of the Product along with the Product handed over for repair or replacement, which must show the date of purchase and the serial number. HI-TECH reserves the right to refuse to give the guarantee service when the indicated data fail to appear on the invoice or have been modified after the purchase of the Product.
- b) The repaired or replaced Product will continue to maintain the original guarantee for the time remaining until the end of the guarantee or for three (3) months from the repair date, if the remaining period of the original guarantee were shorter.
- c) This guarantee will not be applied to the faults in the Product caused by its faulty installation, the natural wear and tear of the components, any use other than that considered normal for this Product or which should fail to strictly comply with the instructions of use provided by HI-TECH; due to accident, carelessness, adjustments, alterations or modifications of the Product not authorised by HI-TECH or due to the use of accessories, heating devices, pumping equipment and/or dispensers that have not been approved or manufactured by HI-TECH.
- d) The guarantee applicable to the components and accessories forming part of the Product and which have not been made by HI-TECH will be limited to the guarantee offered by the original manufacturer thereof.

**HI-TECH WILL NOT RECOGNISE ANY EXPRESS ORAL OR WRITTEN GUARANTEES OTHER THAN THIS PRINTED LIMITED GUARANTEE. ALL IMPLICIT GUARANTEES, INCLUDING, WITHOUT LIMIT, ADAPTATION FOR A SPECIFIC USE, ARE SUBJECT TO THE DURATION OF THIS WRITTEN GUARANTEE. HI-TECH DOES NOT ASSUME ANY KIND OF COMMITMENT OR RESPONSIBILITY FOR ALL POSSIBLE DAMAGE OR EXPENSE CAUSED BY FAULTS IN THE OUTPUT OF THE PRODUCT, ITS WORKING OR THE DISPENSING OF MATERIAL THROUGH THE PRODUCT, INCLUDING, WITHOUT LIMITATION, ALL EXPENSES CAUSED BY DAMAGE TO PEOPLE OR PROPERTY. EQUALLY, HI-TECH WILL IN NO CASE ACCEPT LIABILITY FOR THE LOSS OF SPECULATIVE PROFITS OR COMMERCIAL LOSSES. ALL REPAIRS OR REPLACEMENT OF FAULTY PRODUCTS WILL CONSTITUTE THE COMPREHENSIVE FULFILMENT OF HI-TECH'S OBLIGATIONS WITH RESPECT TO THE CLIENT. HI-TECH DOES NOT IN ANY WAY GUARANTEE THE SUITABILITY OR APTITUDE OF ITS PRODUCT FOR ANY PARTICULAR PURPOSE OR APPLICATION.**

All information provided on components which have not been manufactured by HI-TECH and which is based on reports received from the original manufacturer, though considered precise and reliable, is provided without any guarantee or responsibility of any explicit or implicit kind.

All concession, sale or financial leasing of the Product by HI-TECH in no case explicitly or implicitly constitutes any authorisation, acceptance or concession for the use of any rights or patents, nor does it encourage, nurture or back their infringement.

The restrictions on the guarantee suppose no limitation on the legal rights of the consumer established in applicable national legislation, nor do they affect any rights derived from the bargain and sale agreement between the consumer and supplier.

All information provided in this manual has been included in the confidence that it is true, although it does not constitute any responsibility or implicit or explicit guarantee. HI-TECH reserves the right at any time and without prior warning to make all improvements and modifications necessary to this manual, in order to rectify any possible typographical errors, increase the information contained or insert the changes caused to the characteristics and performance of the unit.



## SAFETY AND HANDLING

The equipment described in this manual has been designed and manufactured in compliance with the following European Directives, following as application guide the harmonized standards detailed and in conformity with the relevant UK Statutory Instruments (and their amendments):

**Directive 2006/42/EC on machinery (UK Supply of Machinery (Safety) Regulations 2008)**

UNE EN 12100:2012 (BS EN ISO 12100:2010)

**Directive 2014/30/EU on electromagnetic compatibility (UK Electromagnetic Compatibility Regulations 2016)**

UNE EN 55011 (BS UNE EN 55011)

UNE EN 55016-2-1 (BS UNE EN 55016-2-1); UNE EN 55016-2-3 (BS UNE EN 55016-2-3);  
UNE EN 55032 (BS UNE EN 55032)

UNE EN 61000-3-2 (BS UNE EN 61000-3-2); UNE EN 61000-3-3 (BS UNE EN 61000-3-3);  
UNE EN 61000-4-2 (BS UNE EN 61000-4-2); UNE EN 61000-4-3 (BS UNE EN 61000-4-3);  
UNE EN 61000-4-4 (BS UNE EN 61000-4-4); UNE EN 61000-4-5 (BS UNE EN 61000-4-5);  
UNE EN 6100-4-6 (BS UNE EN 6100-4-6); UNE EN 61000-4-8 (BS UNE EN 61000-4-8); UNE  
EN 61000-4-11 (BS UNE EN 61000-4-11)

**Directive 2014/68/EU on pressure equipment (UK Pressure Equipment (Safety) Regulations 2016)**

UNE EN 809:1999 +A1 (BS EN 809:1998 +A1:2009)

**Directive 2014/35/EU on electrical safety (UK Electrical Equipment (Safety) Regulations 2016)**

UNE EN 60204-1:2019 (BS EN 60204-1:2018)

**Directive 2003/10/EC on noise level (UK The Control of Noise at Work Regulations 2005)**

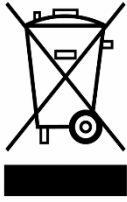
UNE EN ISO 3740 (BS EN ISO 3740:2019)

UNE EN ISO 3746 (BS EN ISO 3746:2010)

**Directive 2011/65/EU on the restriction of the use of certain hazardous substances in electrical and electronic equipment with amendment 2015/863/EU (UK The Restriction of the Use of Certain Hazardous Substances in Electrical and Electronic Equipment Regulations 2012)**

**Directive 2012/19/EU on waste electrical and electronic equipment (UK The Waste Electrical and Electronic Equipment Regulations 2013)**





Electrical products cannot be thrown out with the rubbish. They must be taken to a dedicated collection point for an environmentally sound disposal in accordance with local regulations. You must contact your local collective or retailer for information about recycling. Before leaving WEEE at appropriate collection facilities, batteries must be removed and disposed of separately for proper recycling. The packaging materials are recyclable. Dispose of packaging materials in an environmentally sound manner and place them at the disposal of recycling sectors.

### TRANSPORT AND STORAGE

Proper precautions must be taken so that the equipment can withstand the effects of transport and storage temperatures between  $-25^{\circ}\text{C}$  and  $+55^{\circ}\text{C}$  or up to  $+70^{\circ}\text{C}$  for short periods that do not exceed 24 hours. Also, appropriate means to prevent damage from moisture, vibrations or shocks must be foreseen.

## PROPORTIONING UNIT Easy Spray MODEL

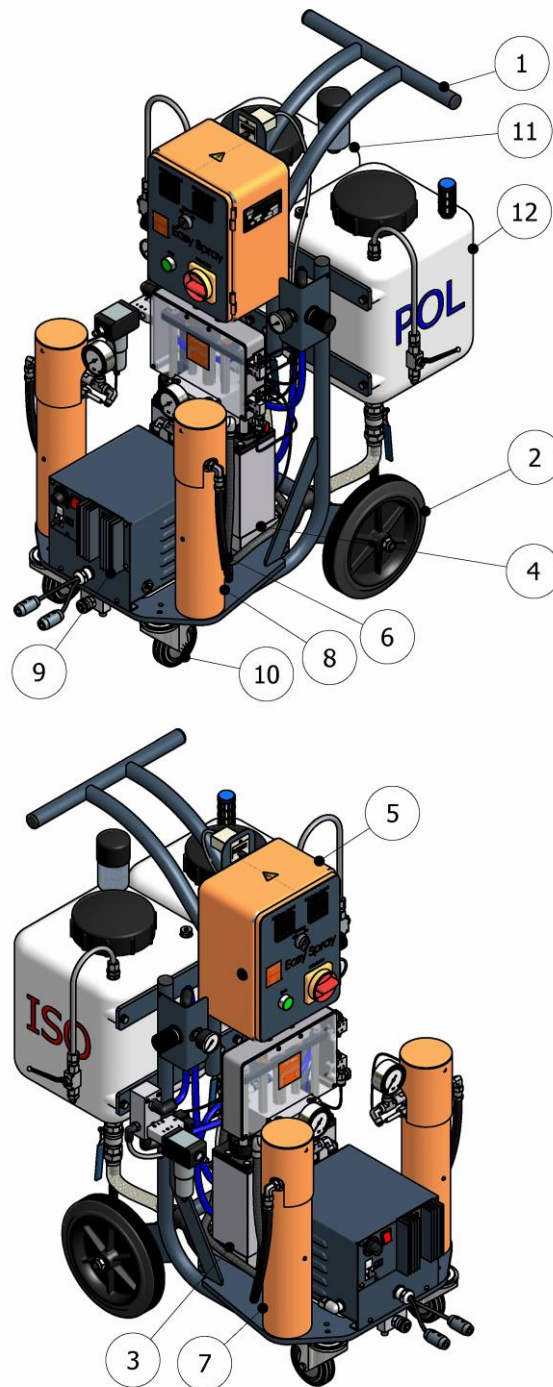


Figure 1. Proportioning Unit Easy Spray Model



**Table 1. Proportioning Unit Easy Spray Model, Parts List**

| Ref.  | Description                     | Part Number | Qty. |
|-------|---------------------------------|-------------|------|
| 1     | Framework                       | MQ-06001-00 | 1    |
| 2     | Wheel                           | MQ-06014-01 | 2    |
| 3     | “A” Proportioning Pump Assembly | See Table 2 | 1    |
| 4     | “R” Proportioning Pump Assembly | See Table 3 | 1    |
| 5 (*) | Electrical Console Assembly     | EL-00175    | 1    |
| 6     | “A”/“R” Pump/Heater Hose Assy.  | MA-00036    | 2    |
| 7     | “A” Primary Heater              | See Table 5 | 1    |
| 8     | “R” Primary Heater              | See Table 5 | 1    |
| 9     | Hose Transformer (OPTIONAL)     | EL-00127-08 | 1    |
| 10    | Wheel                           | MQ-06021    | 2    |
| 11    | “A” Assy Product Tank           | MQ-06013-00 | 1    |
| 12    | “R” Assy Product Tank           | MQ-06012-00 | 1    |

**Table 2. “A” Proportioning Pump Assy. Easy Spray Model, Parts List**

| Proportioning Pump Size | Description                     | Part Number  |
|-------------------------|---------------------------------|--------------|
| 4,5                     | “A” Proportioning Pump Assembly | PU-02001-ESG |

**Table 3. “R” Proportioning Pump Assy. Easy Spray Model, Parts List**

| Proportioning Pump Size | Description                     | Part Number  |
|-------------------------|---------------------------------|--------------|
| 4,5                     | “R” Proportioning Pump Assembly | PU-02001-ESG |

**Notes:**

*From revision 3.1 of the manual, the ISO and POL pump are the same and therefore, have the same code.*

*The temperature regulators are not inter-changeable with those attached to previous versions of the machine.*



**Table 4. Air Motor and Pump Size Combinations, Easy Spray**

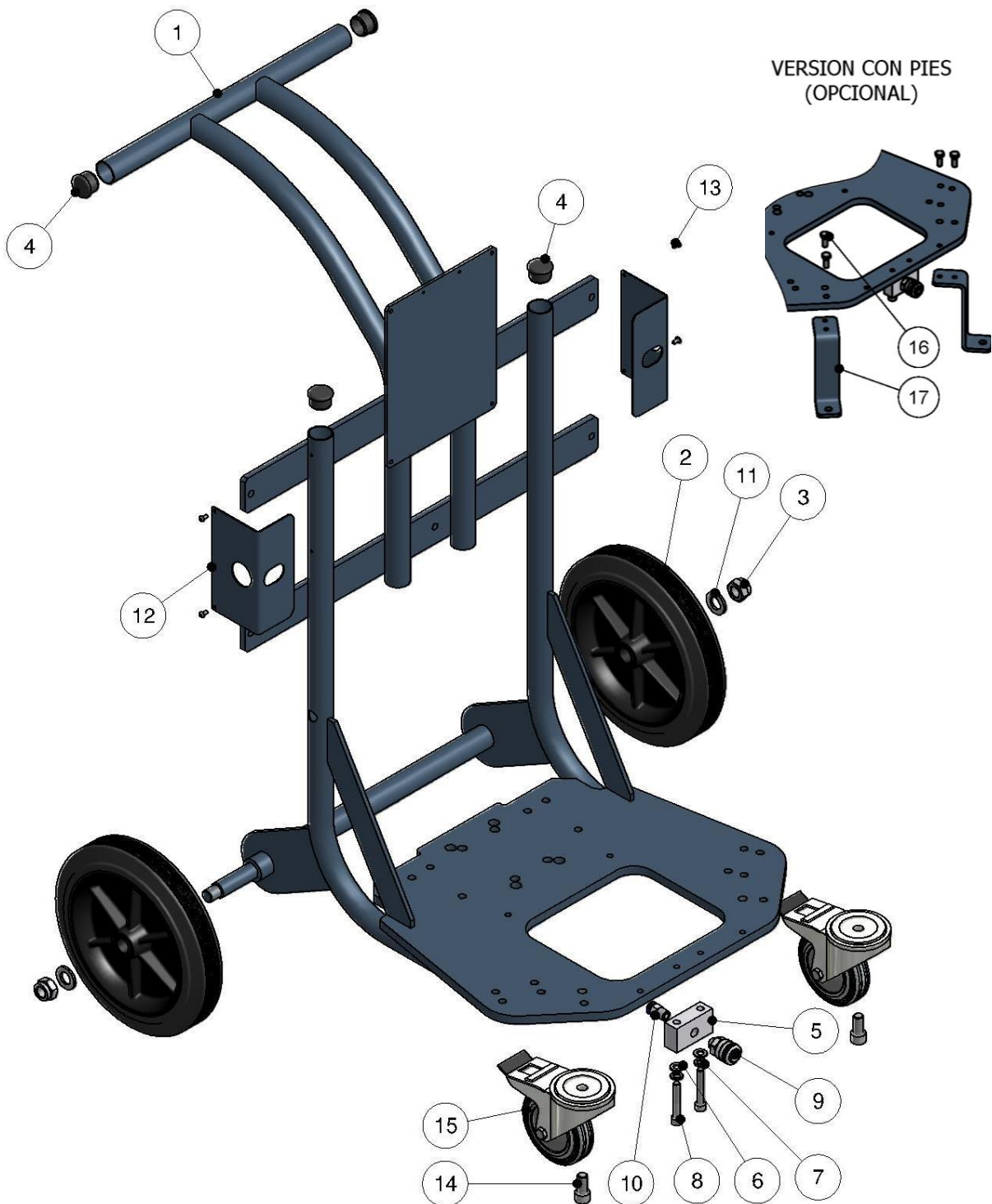
|                         |     | Air Motor Size |         |
|-------------------------|-----|----------------|---------|
|                         |     | 100            | 125     |
| Proportioning Pump Size | 4,5 | 100 bar        | 200 bar |

**Note:** For further details regarding to the features of each combination, please refer to the *Technical Specifications in the Service Manual*.

**Table 5. Heaters Models, Easy Spray**

| Ref.         | Description                |
|--------------|----------------------------|
| CLH-06003-00 | ISO Heater (Low pressure)  |
| CLH-06003-01 | ISO Heater (High pressure) |
| CLH-06004-00 | POL Heater (Low pressure)  |
| CLH-06004-01 | POL Heater (High pressure) |

**FRAMEWORK Easy Spray MODEL**



**Figure 2. Framework Easy Spray Model, Exploded View**

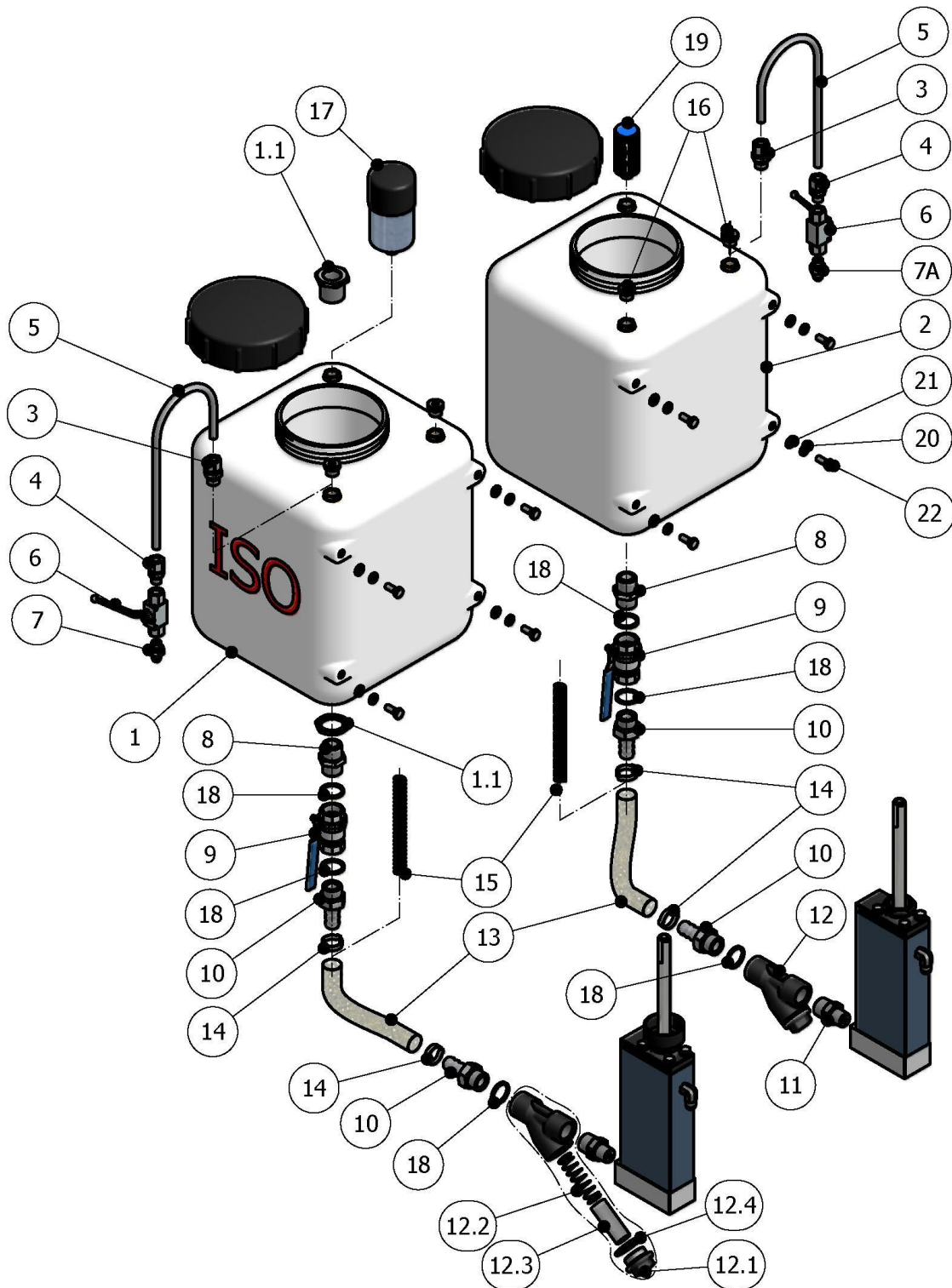




**Table 6. Framework Easy Spray Model, Parts List**

| Ref. | Description                   | Part Number | Qty. |
|------|-------------------------------|-------------|------|
| 1    | Framework                     | MA-06001-00 | 1    |
| 2    | Wheel                         | MQ-06014-01 | 2    |
| 3    | Nut                           | TN-00195    | 2    |
| 4    | Plug                          | MQ-06017-03 | 4    |
| 5    | Air Gun Support               | MQ-02005    | 1    |
| 6    | Washer                        | TN-00119    | 2    |
| 7    | Lock Washer                   | TN-00028    | 2    |
| 8    | Socket Head Cap Screw         | TN-00090    | 2    |
| 9    | Fast Socket                   | RA-00095    | 1    |
| 10   | Tube Fitting                  | RA-00150    | 1    |
| 11   | Washer                        | TN-00045    | 2    |
| 12   | Pressure Regulator Support    | MQ-06010    | 2    |
| 13   | Screw                         | TN-00031    | 6    |
| 14   | Socket Head Cap Screw         | TN-00189    | 2    |
| 15   | Wheel                         | MQ-06021    | 2    |
| 16   | Hex Head Cap Screw (OPCIONAL) | TN-00187    | 4    |
| 17   | "Z" Bracket (OPCIONAL)        | MQ-02014    | 2    |

**PRODUCT TANKS Easy Spray MODEL**



**Figure 3. Product Tanks, Easy Spray Model, Exploded View**



**Table 7. Product Tanks Easy Spray Model, Parts List**

| Ref. | Description                                | Part Number    | Qty.         |
|------|--------------------------------------------|----------------|--------------|
| 1    | "A" Assy Product Tank                      | MQ-06013-00    | 1            |
| 1.1  | Bulkhead Coupling                          | RA-00216       | 1(*)<br>1(#) |
| 2    | "R" Product Tank                           | MQ-06012-00    | 1            |
| 3    | Tube Fitting (Optional), Recirculation Kit | RA-00282       | 2            |
| 4    | Tube Fitting (Optional), Recirculation Kit | RA-00218       | 2            |
| 5    | Tube (Optional), Recirculation Kit         | MQ-06016       | 2            |
| 6    | Ball Valve (Optional), Recirculation Kit   | RA-00217       | 2            |
| 7    | Hex Nipple (Optional), Recirculation Kit   | RA-00144       | 1            |
| 7A   | Hex Nipple (Optional), Recirculation Kit   | RA-00145       | 1            |
| 8    | Hex Nipple                                 | RA-00142       | 2            |
| 9    | Ball Valve                                 | RA-00078       | 2            |
| 10   | Coupler Plug                               | RA-00219       | 4            |
| 11   | Thread Reducer (Included in the Pump Assy) | RA-00081       | 2            |
| 12   | Y-Strainer                                 | RA-00074       | 2            |
| 12.1 | Filter Plug (Included in Ref. 12) (*)      | RA-00074-01    | 1            |
| 12.2 | Filter Spring (Included in Ref. 12) (*)    | SP-00017       | 1            |
| 12.3 | Filter (Included in Ref. 12) (*)           | RA-00074-03-30 | 1            |
| 12.4 | Filter Gasket (Included in Ref. 12) (*)    | OR-00061       | 1            |
| 13   | Hose                                       | MA-00058       | 2            |
| 14   | Hose Bridle                                | TN-00364       | 4            |
| 15   | Spring                                     | SP-00019       | 2            |
| 16   | Plug                                       | RA-00049       | 2(*)<br>2(#) |
| 17   | Mini Disposable Breathers                  | NE-00045       | 1(*)         |
| 18   | O-Ring                                     | OR-00082       | 6            |
| 19   | Muffler                                    | NE-00056       | 2(#)         |
| 20   | Washer                                     | TN-00028       | 8            |
| 21   | Lock Washer                                | TN-00119       | 8            |
| 22   | Screw                                      | TN-00187       | 8            |

(\*) Items included in ISO Tank Assy Ref. 1

(#) Items included in POL Tank Assy Ref. 2.

Ref. Tank only with Cover; MQ-06012-01 (common for ISO & POL).

## ELECTRICAL CONSOLE Easy Spray MODEL

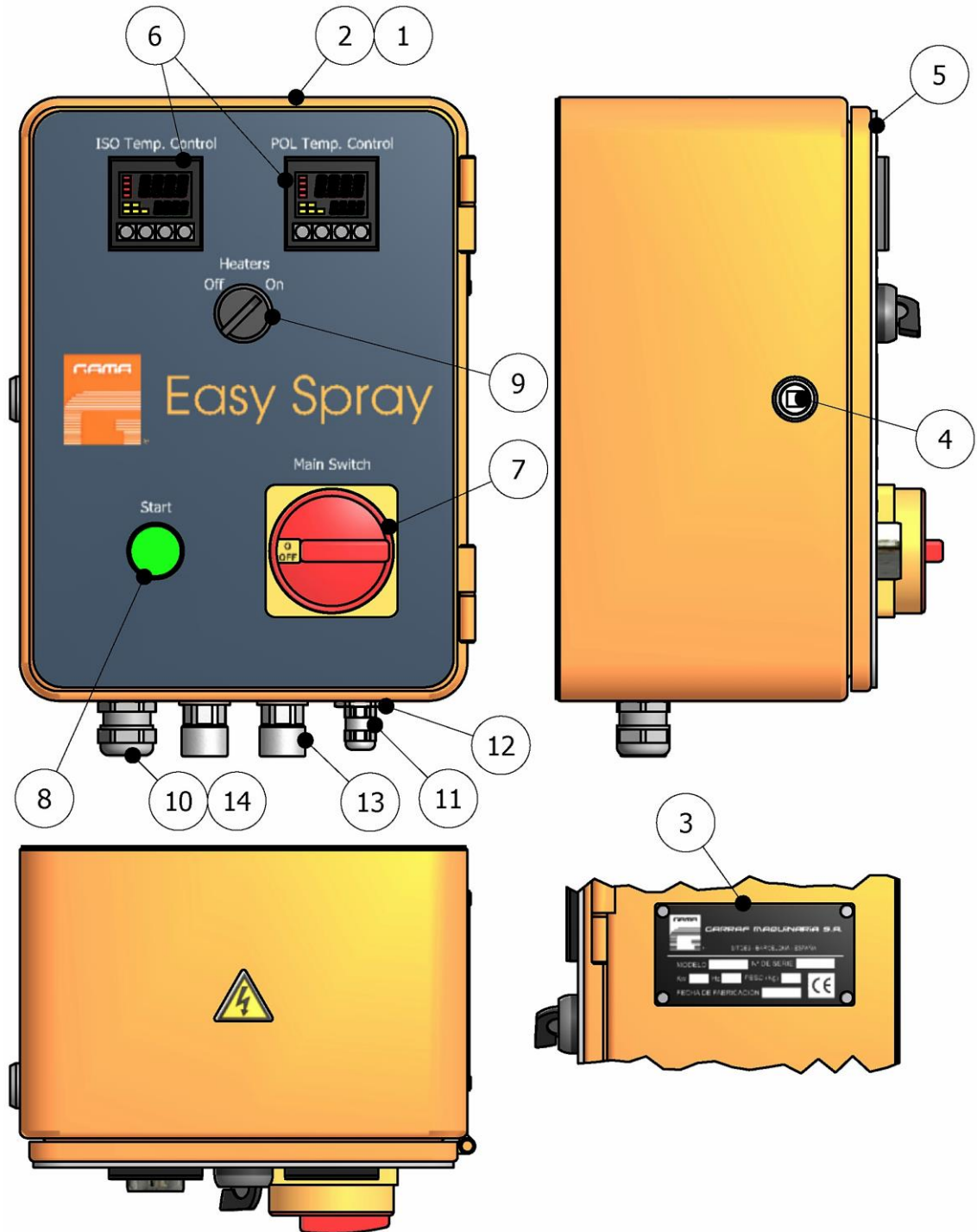


Figure 4. Electrical Console Easy Spray Model



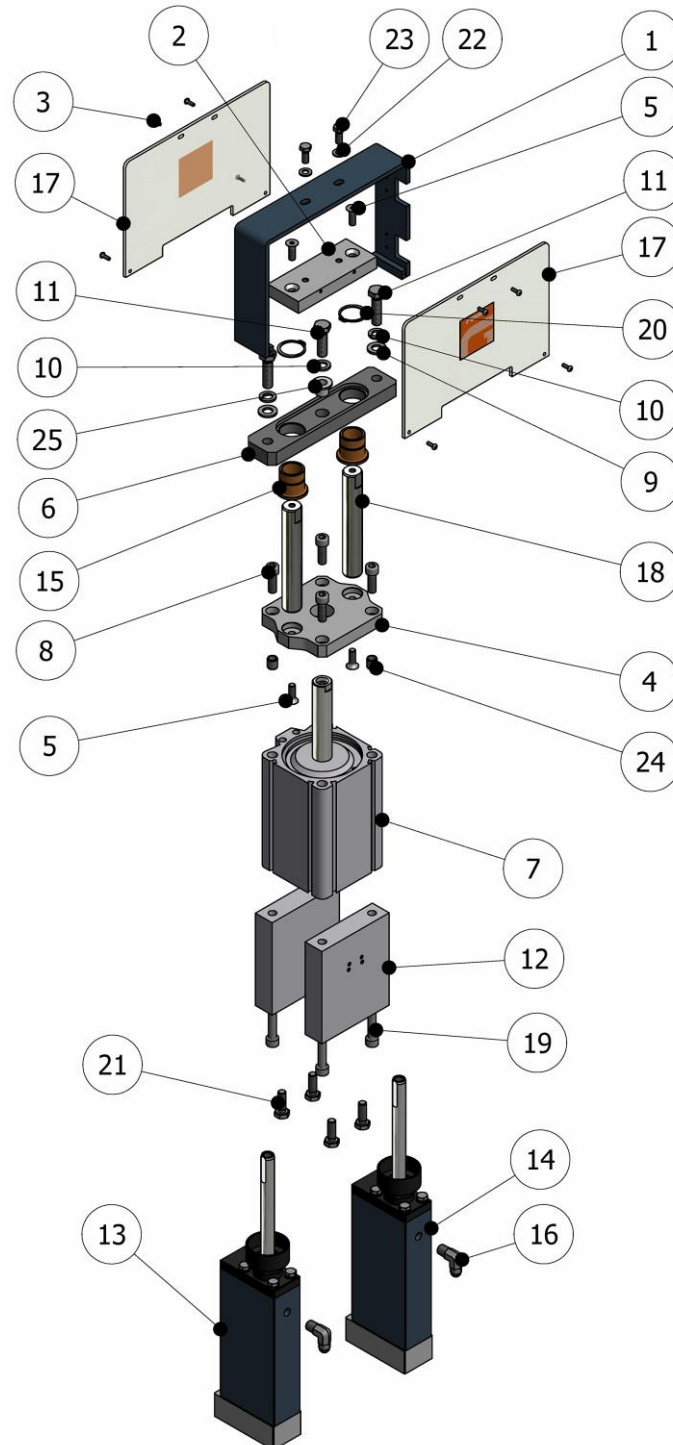
**Table 8. Electrical Console Easy Spray Model, Parts List**

| Ref.  | Description                        | Part -Number | Qty. |
|-------|------------------------------------|--------------|------|
| 1     | Assembly Body Electrical Console   | EL-00175-A   | 1    |
| 2     | Electrical Console Fund Base Plate | EL-00174-02  | 1    |
| 3     | Standard Features Bezel            | MQ-01010     | 1    |
| 4     | Lock Electrical Console            | EL-00134     | 1    |
| 5 (*) | Bezel                              | EL-00168     | 1    |
| 6 (*) | Temperature Controller             | EL-00147-06  | 2    |
| 7     | Main Switch                        | EL-00107-18  | 1    |
|       | Main Switch Command                | EL-00107-19  | 1    |
| 8     | Start Push-button                  | EL-00131-01  | 1    |
|       | Chamber                            | EL-00131-02  | 1    |
| 9     | 2 Position Heat Switch             | EL-00131-04  | 1    |
|       | Chamber                            | EL-00131-02  | 1    |
| 10    | Strain Relief                      | EL-00088-02  | 1    |
| 11    | Strain Relief                      | EL-00088     | 1    |
| 12    | Port Reducer                       | EL-00091.02  | 1    |
| 13    | Strain Relief                      | EL-00087-00  | 2    |
| 14    | Brass Nut                          | EL-00090-01  | 4    |

**Notes:**

**(\*) The temperature regulators and Bezel are not interchangeable with those who were mounted in previous versions.**

**MOTOR #100 GUIDE SYSTEM Easy Spray MODEL**



*Figure 5. Motor #100 Guide System Easy Spray Model, Exploded View*



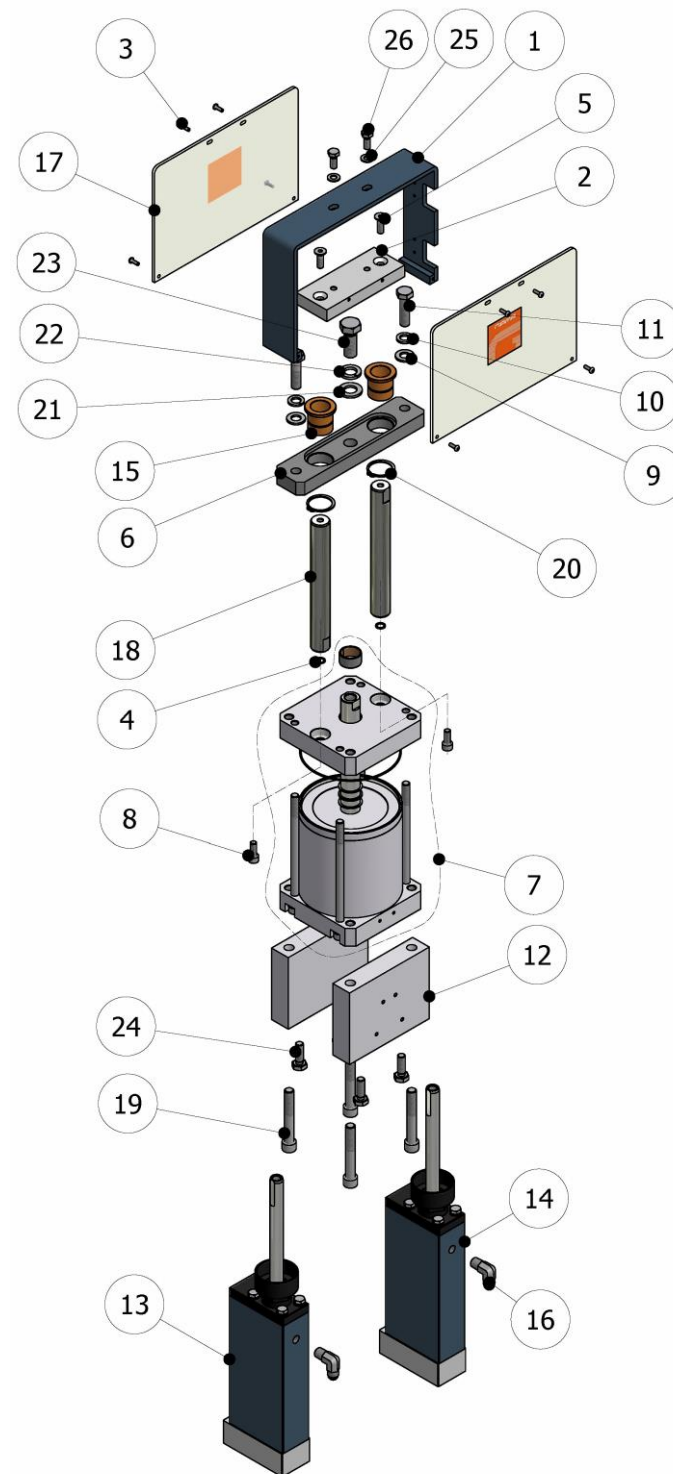
**Table 9. Motor #100 Guide System Easy Spray Model, Parts List**

| Ref. | Description                        | Part Number  | Qty. |
|------|------------------------------------|--------------|------|
| 1    | Prot                               | MQ-06024-00  | 1    |
| 2    | Upper Plate                        | MQ-06025     | 1    |
| 3    | Screw                              | TN-00049     | 8    |
| 4    | Lower Plate                        | MQ-06027     | 1    |
| 5    | Screw                              | TN-00191     | 4    |
| 6    | Puma Yoke                          | MQ-06023     | 1    |
| 7    | Air Motor                          | NE-00029     | 1    |
| 8    | Socket Head Cap Screw              | TN-00189     | 4    |
| 9    | Washer                             | TN-00040     | 2    |
| 10   | Lock Washer                        | TN-00039     | 3    |
| 11   | Hex Head Cap Screw                 | TN-00056     | 3    |
| 12   | Air Motor Support                  | MQ-06003     | 2    |
| 13   | "A" Proportioning Pump Assembly    | PU-02001-ESG | 1    |
| 14   | "R" Proportioning Pump Assembly    | PU-02001-ESG | 1    |
| 15   | Bearing                            | TN-00314     | 2    |
| 16   | Hose Elbow (Included in Pump Assy) | RA-00044     | 2    |
| 17   | Cover                              | MQ-06006     | 2    |
| 18   | Column                             | MQ-06029     | 2    |
| 19   | Socket Head Cap Screw              | TN-00204     | 4    |
| 20   | Retainer Ring                      | TN-00070     | 2    |
| 21   | Hex Head Cap Screw                 | TN-00129     | 4    |
| 22   | Washer                             | TN-00119     | 2    |
| 23   | Screw                              | TN-00187     | 2    |
| 24   | Pin                                | MQ-06028     | 2    |
| 25   | Bush                               | MQ-06031     | 1    |

**Note:**

*From the review of the manual 3.1, the ISO pump and the POL pump are exactly equal, as what they have the same Part Number.*

**MOTOR #125 GUIDE SYSTEM Easy Spray MODEL**



*Figure 6. Motor #125 Guide System Easy Spray Model, Exploded View*





**Table 10. Motor #125 Guide System Easy Spray Model, Parts List**

| Ref. | Description                        | Part Number  | Qty. |
|------|------------------------------------|--------------|------|
| 1    | Prot                               | MQ-06024-00  | 1    |
| 2    | Upper Plate                        | MQ-06025     | 1    |
| 3    | Screw                              | TN-00049     | 8    |
| 4    | O-Ring                             | OR-00003     | 2    |
| 5    | Screw                              | TN-00191     | 2    |
| 6    | Puma Yoke                          | MQ-06023     | 1    |
| 7    | Air Motor                          | NE-00062     | 1    |
| 8    | Socket Head Cap Screw              | TN-00176     | 2    |
| 9    | Washer                             | TN-00040     | 2    |
| 10   | Lock Washer                        | TN-00039     | 2    |
| 11   | Hex Head Cap Screw                 | TN-00037     | 2    |
| 12   | Air Motor Support                  | MQ-07007     | 2    |
| 13   | "A" Proportioning Pump Assembly    | PU-02001-ESG | 1    |
| 14   | "R" Proportioning Pump Assembly    | PU-02001-ESG | 1    |
| 15   | Bearing                            | TN-00314     | 2    |
| 16   | Hose Elbow (Included in Pump Assy) | RA-00044     | 2    |
| 17   | Cover                              | MQ-07008     | 2    |
| 18   | Column                             | MQ-06026     | 2    |
| 19   | Socket Head Cap Screw              | TN-00201     | 4    |
| 20   | Retainer Ring                      | TN-00070     | 2    |
| 21   | Washer                             | TN-00045     | 1    |
| 22   | Lock Washer                        | TN-00044     | 1    |
| 23   | Hex Head Cap Screw                 | TN-00095     | 1    |
| 24   | Hex Head Cap Screw                 | TN-00129     | 4    |
| 25   | Washer                             | TN-00119     | 2    |
| 26   | Screw                              | TN-00187     | 2    |

**Note:**

*From the review of the manual 3.1, the ISO pump and the POL pump are exactly equal, as what they have the same Part Number.*

**PROPORTIONING PUMP ASSEMBLY Easy Spray MODEL**

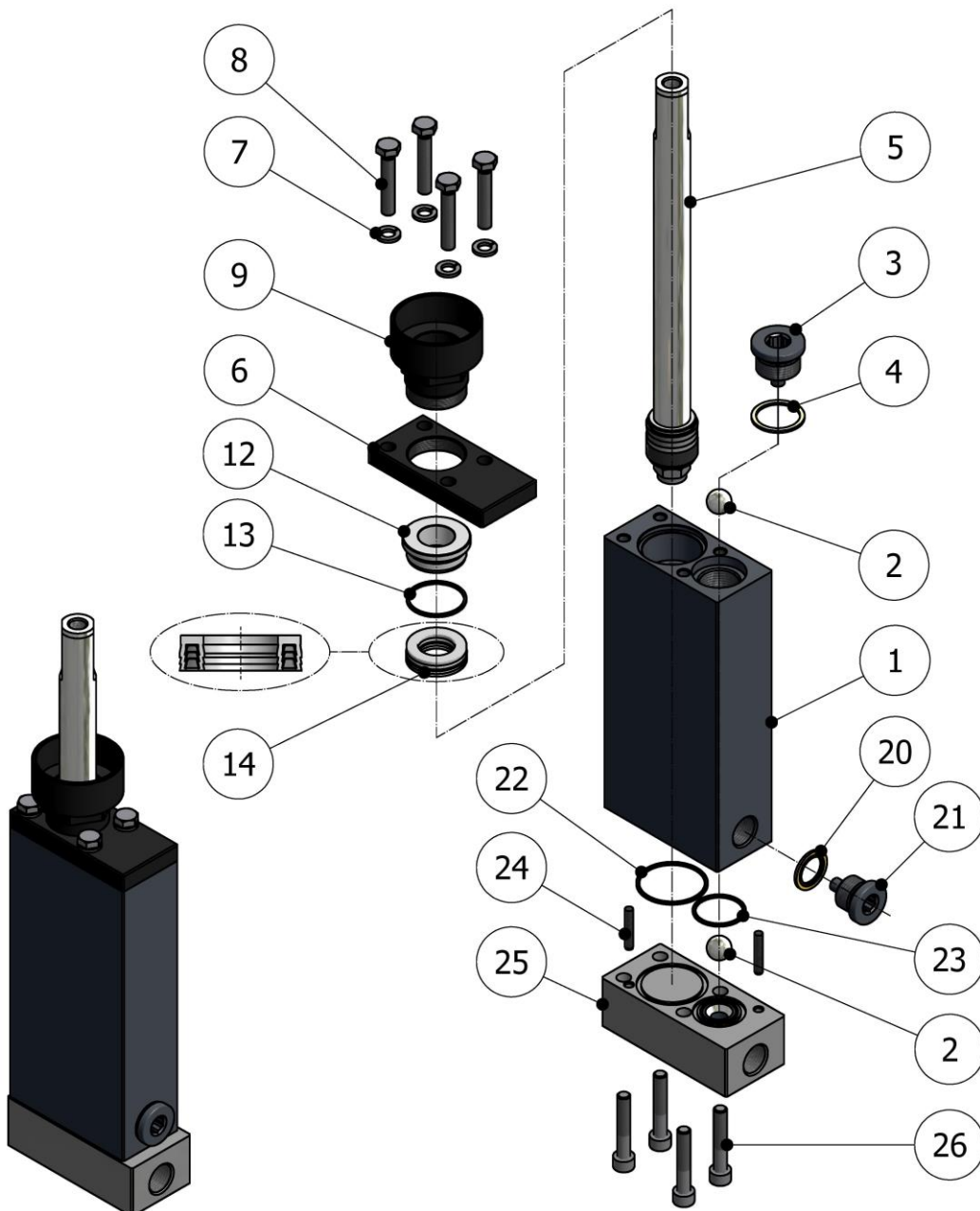


Figure 7. Proportioning Pump Assembly Easy Spray Model, Exploded View



**Table 11. Proportioning Pump Assembly Easy Spray Model, Parts List**

| Ref. | Description                         | Part Number  | Qty. |
|------|-------------------------------------|--------------|------|
| 1    | Pump Body With Check Valve Assembly | See Table 14 | 1    |
| 1.1  | Pump Body                           | See Table 12 | 1    |
| 1.2  | Check Valve Assembly                | PU-02000-09  | 1    |
| 2    | Ball Valve                          | TN-00012     | 2    |
| 3    | Plug                                | PU-02000-21  | 1    |
| 4    | Seal                                | PU-02000-27  | 1    |
| 5    | Piston Rod Assembly                 | See Page 21  | 1    |
| 6    | Packing Retainer                    | PU-02000-03  | 1    |
| 7    | Lock Washer                         | TN-00028     | 4    |
| 8    | Hex Head Cap Screw                  | TN-00051     | 4    |
| 9    | Packing Nut                         | See Table 13 | 1    |
|      |                                     |              |      |
| 12   | Bearing (#)                         | See Table 15 | 1    |
| 13   | O-Ring (#)                          | See Table 17 | 1    |
| 14   | Seal (#)                            | See Table 16 | 1    |
|      |                                     |              |      |
| 20   | O-Ring                              | OR-00023     | 1    |
| 21   | Plug                                | PU-02000-10  | 1    |
| 22   | O-Ring                              | OR-00013     | 1    |
| 23   | O-Ring                              | OR-00014     | 1    |
| 24   | Dowel Pin                           | TN-00055     | 2    |
| 25   | Pump Base With Check Valve Assembly | PU-02000-01A | 1    |
| 25.1 | Base Plate                          | PU-02000-01  | 1    |
| 25.2 | Check Valve Assembly                | PU-02000-09  | 1    |
| 26   | Hex Head Cap Screw                  | TN-00046     | 4    |
| 27   | Repair Seal Kit                     | See Table 20 | 1    |

**(#) Parts Included in the Repair Seal Kit Ref. 27.**

**Quantities indicated for each Pump.**

**The ISO pump and the POL pump are exactly equal, as what they have the same Parts Number.**

**Table 12. Pump Body Size Easy Spray Model, Parts List**

| Ref. | Proportioning Pump Size | Description | Part Number |
|------|-------------------------|-------------|-------------|
| 1.1  | 4,5                     | Pump Body   | PU-02001-02 |

**Table 13. Packing Nut Size Easy Spray Model, Parts List**

| Ref. | Proportioning Pump Size | Description | Part Number |
|------|-------------------------|-------------|-------------|
| 9    | 4,5                     | Packing Nut | PU-02001-31 |

**Table 14. Pump Body With Check Valve Assembly Size Easy Spray Model, Parts List**

| Ref. | Proportioning Pump Size | Description                         | Part Number  |
|------|-------------------------|-------------------------------------|--------------|
| 1    | 4,5                     | Pump Body With Check Valve Assembly | PU-02001-02A |

**Table 15. Bearing Size Easy Spray Model, Parts List**

| Ref. | Proportioning Pump Size | Description | Part Number  |
|------|-------------------------|-------------|--------------|
| 12   | 4,5                     | Bearing (#) | PU-02001-30G |

**Table 16. Seal Size Easy Spray Model, Parts List**

| Ref. | Proportioning Pump Size | Description | Part Number |
|------|-------------------------|-------------|-------------|
| 14   | 4,5                     | Seal (#)    | OR-00117G   |

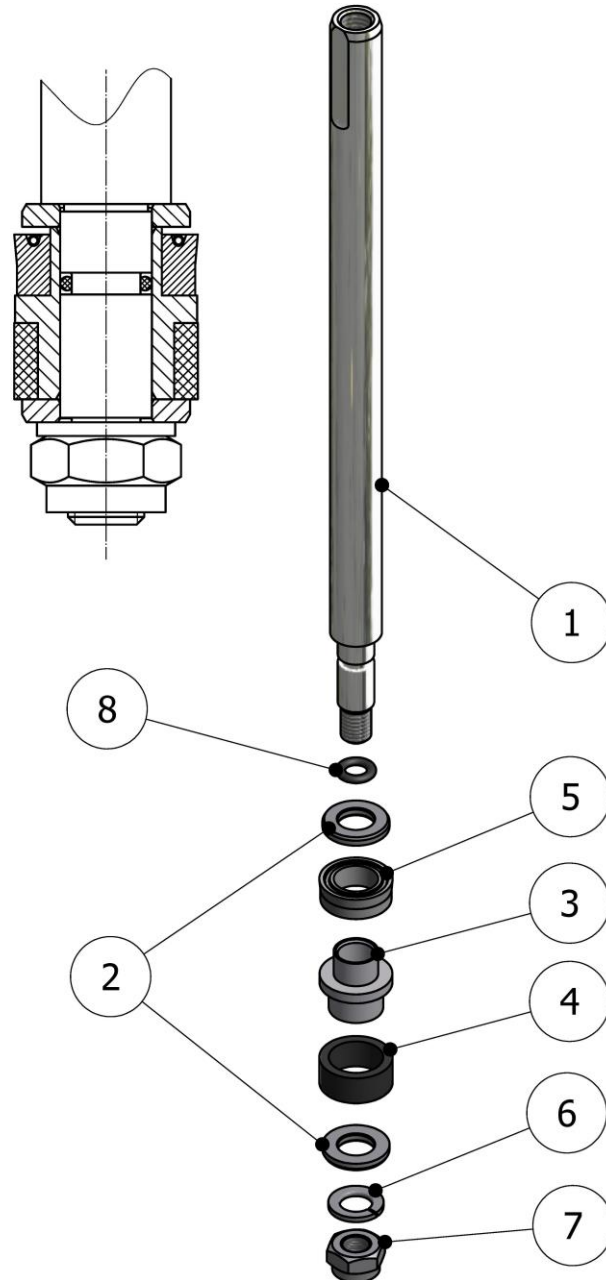
**Table 17. O-Ring Size Easy Spray Model, Parts List**

| Ref. | Proportioning Pump Size | Description | Part Number |
|------|-------------------------|-------------|-------------|
| 13   | 4,5                     | O-Ring (#)  | OR-00125    |

(#) Parts included in Repair Seal Kit, see Table 20.



## PISTON ROD ASSEMBLY



*Figure 8. Piston Rod Assembly, Exploded View*



**Table 18. Piston Rod Assembly, Parts List**

| Ref. | Description         | Part Number  | Qty. |
|------|---------------------|--------------|------|
| 1    | Pump Piston Rod     | See Table 19 | 1    |
| 2    | Washer              | See Table 19 | 2    |
| 3    | Piston Seal Support | See Table 19 | 1    |
| 4    | Piston Seal (#)     | See Table 19 | 1    |
| 5    | O-Ring (#)          | See Table 19 | 1    |
| 6    |                     |              |      |
| 7    | Nut                 | See Table 19 | 1    |
| 8    | O-Ring (#)          | See Table 19 | 1    |
| 9    | Repair Seal Kit     | See Table 20 | 1    |

*(#) Parts are included in the Repair Seal Kit Ref. 9.*

**Table 19. Piston Rod Size, Parts List**

| Proportioning Pump Size | Ref. 1      | Ref. 2      | Ref. 3       | Ref. 4   |
|-------------------------|-------------|-------------|--------------|----------|
| 4,5                     | PU-02001-06 | PU-02001-08 | PU-02001-07R | OR-00050 |

| Pump Size | Ref. 5   | Ref. 6 | Ref. 7   | Ref. 8   |
|-----------|----------|--------|----------|----------|
| 4,5       | OR-00151 |        | TN-00165 | OR-00049 |

**Table 20. Repair Seal Kit, Parts List, Easy Spray**

| Proportioning Pump Size | Description     | Ref.     |
|-------------------------|-----------------|----------|
| 4,5                     | Repair Seal Kit | KT-00153 |

*The Repair Seal Kit Include the parts for 1 set of pump.*



### AIR CONTROL ASSEMBLY Easy Spray MODEL

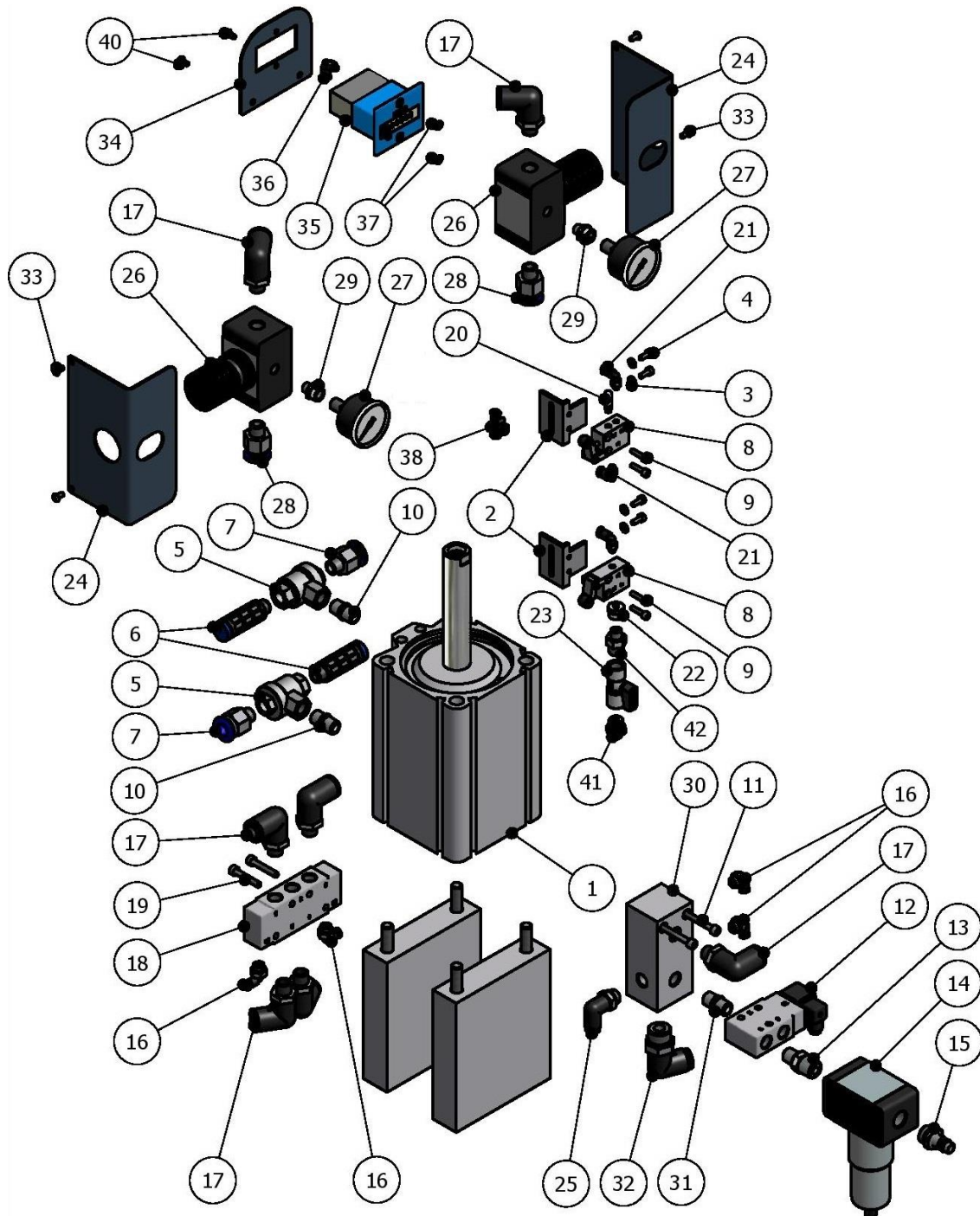


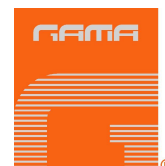
Figure 9. Air Control Assembly Easy Spray Model, Exploded View



**Table 21. Air Control Assembly Easy Spray Model, Parts List**

| Ref. | Description                | Part Number  | Qty. |
|------|----------------------------|--------------|------|
| 1    | Air Motor                  | See Table 22 | 1    |
| 2    | Reversing Switch Support   | MQ-06009     | 2    |
| 3    | Washer                     | TN-00104     | 4    |
| 4    | Socket Head Cap Screw      | TN-00002     | 4    |
| 5    | Exhaust Valve              | See Table 22 | 2    |
| 6    | Muffler                    | See Table 22 | 2    |
| 7    | Tube Fitting               | See Table 22 | 2    |
| 8    | Reversing Switch           | NE-00031     | 2    |
| 9    | Socket Head Cap Screw      | TN-00155     | 4    |
| 10   | Hex Nipple                 | See Table 22 | 2    |
| 11   | Socket Head Cap Screw      | TN-00198     | 2    |
| 12   | Directional Valve          | NE-00036     | 1    |
| 13   | Port Reducer               | RA-00220     | 1    |
| 14   | Air Filter                 | NE-00034     | 1    |
| 15   | Coupler Plug               | RA-00096     | 1    |
| 16   | Tube Fitting               | RA-00222     | 4    |
| 17   | Tube Fitting               | RA-00046     | 7    |
| 18   | Directional Valve          | NE-00030     | 1    |
| 19   | Socket Head Cap Screw      | TN-00148     | 2    |
| 20   | Muffler                    | NE-00037     | 1    |
| 21   | Tube Fitting               | RA-00223     | 3    |
| 22   | Adapter                    | RA-00227     | 1    |
| 23   | Ball Valve                 | RA-00133     | 1    |
| 24   | Pressure Regulator Support | MQ-06010     | 2    |
| 25   | Tube Fitting               | RA-00235     | 1    |
| 26   | Pressure Regulator         | NE-00032     | 2    |
| 27   | Gauge                      | NE-00033     | 2    |
| 28   | Tube Fitting               | RA-00086     | 2    |
| 29   | Adapter                    | RA-00224     | 2    |





| Ref.   | Description                       | Part Number | Qty. |
|--------|-----------------------------------|-------------|------|
| 30     | Air Manifold                      | MQ-06011    | 1    |
| 31     | Hex Nipple                        | RA-00048    | 1    |
| 32     | Tube Fitting                      | RA-00236    | 1    |
| 33     | Screw                             | TN-00031    | 4    |
| 34 (*) | Cycles Counter Support (Optional) | MQ-06015    | 1    |
| 35 (*) | Cycles Counter (Optional)         | NE-00070    | 1    |
| 36 (*) | Elbow Pipe "T" (Optional)         | RA-00223    | 1    |
| 37 (*) | Screw (Optional)                  | TN-00121    | 2    |
| 38 (*) | Pipe "T" (Optional)               | RA-00226    | 1    |
| 39     |                                   |             |      |
| 40 (*) | Screw (Optional)                  | TN-00031    | 1    |
| 41     | Tube Fitting                      | RA-00557    | 1    |
| 42     | Male Union                        | RA-00556    | 1    |

(\*) **OPTIONAL parts for assembly with cycle counter**

**Table 22. Air Control Variable Components Easy Spray Model, Parts List**

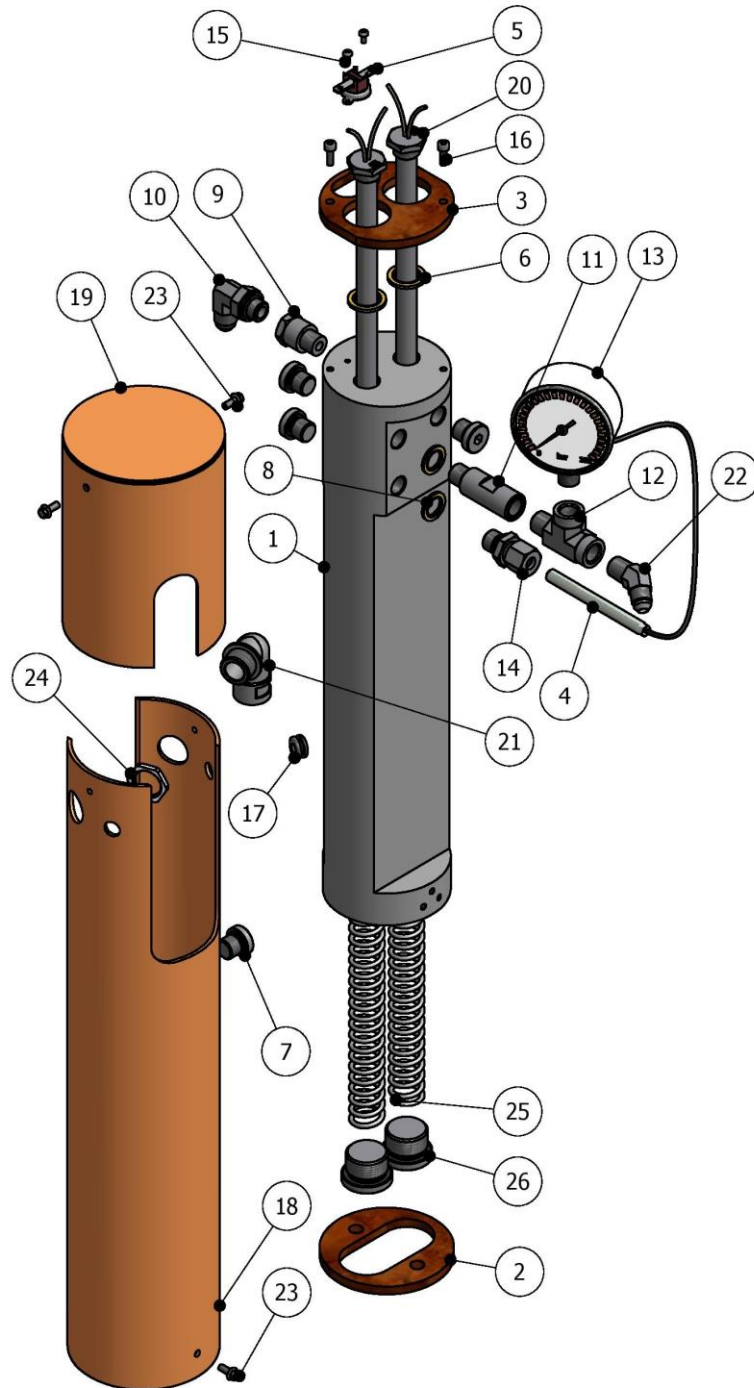
| Ref. | Description   | Part Number<br>(Motor 100) | Part Number<br>(Motor 125) |
|------|---------------|----------------------------|----------------------------|
| 1    | Air Motor     | NE-00029                   | NE-00062                   |
| 5    | Exhaust Valve | NE-00002C                  | NE-00060                   |
| 6    | Muffler       | NE-00005                   | NE-00056                   |
| 7    | Tube Fitting  | RA-00086                   | RA-00156                   |
| 10   | Hex Nipple    | RA-00048                   | RA-00054                   |

**Table 23. Pneumatic Tubes List, Easy Spray Model**

| Ref. | Description          | Part Number | Qty. |
|------|----------------------|-------------|------|
|      | Blue Tube PA Ø12xØ10 | MA-00069    |      |
|      | Blue Tube PA Ø8xØ6   | MA-00072    |      |
|      | Blue Tube PA Ø6xØ4   | MA-00071    |      |
|      | Blue Tube PA Ø4xØ2.7 | MA-00070    |      |

(\*) **Raw Material Reference.**

**PRIMARY HEATER Easy Spray**



*Figure 10. Primary Heater Easy Spray Model, Exploded View*



**Table 24. Primary Heater Easy Spray Model, Parts List**

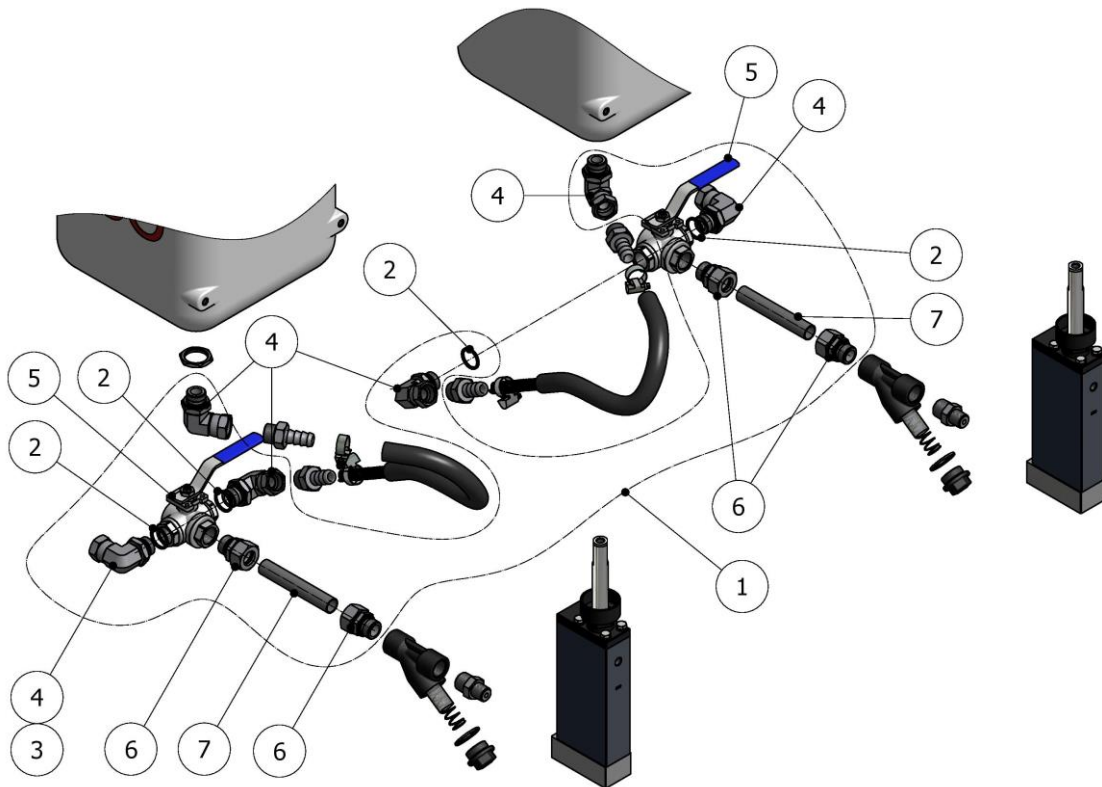
| Ref. | Description           | Part Number  | Qty. |
|------|-----------------------|--------------|------|
| 1    | Heat Block            | CLH-06001-01 | 1    |
| 2    | Bottom Insulate Plate | CL-06001-03  | 1    |
| 3    | Top Insulate Plate    | CL-06001-02  | 1    |
| 4    | Thermocouple          | EL-00156-01  | 1    |
| 5    | Thermal Limit Switch  | EL-00006     | 1    |
| 6    | Seal                  | OR-00018     | 2    |
| 7    | Plug                  | RA-00013     | 4    |
| 8    | Seal                  | OR-00054     | 2    |
| 9    | Swivel Union          | RA-00077     | 1    |
| 10   | Hose Nipple           | RA-00050     | 1    |
| 11   | Adapter               | RA-00100     | 1    |
| 12   | Pipe Tee              | RA-00018     | 1    |
| 13   | Liquid Fill Gauge     | See Table 25 | 1    |
| 14   | Thermocouple Nipple   | RA-00231     | 1    |
| 15   | Screw                 | TN-00128     | 2    |
| 16   | Screw                 | TN-00049     | 2    |
| 17   | Rubber Grommet        | EL-00095-00  | 1    |
| 18   | Heater Cover          | CL-06001-05  | 1    |
| 19   | Top Cap               | See Table 25 | 1    |
| 20   | Heat Resistance       | EL-00155     | 2    |
| 21   | Conduit Connector     | EL-00087-01  | 1    |
| 22   | Hose Nipple           | See Table 25 | 1    |
| 23   | Screw                 | TN-00502     | 3    |
| 24   | Nut                   | EL-00090-01  | 1    |
| 25   | Spring                | SP-00009     | 2    |
| 26   | Plug                  | RA-00012     | 2    |



**Table 25. Parts List for each model of Heater**

| Ref.         | Description                | Ref. 19     | Ref. 22  | Ref. 13  |
|--------------|----------------------------|-------------|----------|----------|
| CLH-06003-00 | ISO Heater (Low pressure)  | CL-06001-06 | RA-00017 | HI-00015 |
| CLH-06003-01 | ISO Heater (High pressure) | CL-06001-06 | RA-00017 | HI-00019 |
| CLH-06004-00 | POL Heater (Low pressure)  | CL-06002-06 | RA-00043 | HI-00015 |
| CLH-06004-01 | POL Heater (High pressure) | CL-06002-06 | RA-00043 | HI-00019 |

**AUXILIARY PRODUCT INLET KIT #KT-00127-ASSY**



**Figure 11. Auxiliary Product Inlet Kit #KT-00127-ASSY,, Exploded View**

**Table 26. Auxiliary Product Inlet Kit #KT-00127-ASSY, Parts List**

| Ref. | Description                 | Part Number   | Qty. |
|------|-----------------------------|---------------|------|
| 1    | Auxiliary Product Inlet Kit | KT-00127-ASSY | 1    |
| 2    | Bi-Material Ring            | OR-00082      | 2    |
| 3    | Plug                        | RA-00022      | 2    |
| 4    | Elbow                       | RA-00338      | 6    |
| 5    | Ball Valve 3 Ways           | RA-00458      | 2    |
| 6    | Nipple                      | RA-00468      | 4    |
| 7    | Hydraulic Pipe 50mm         | MP-00004-50mm | 2    |

*Other parts to complete the assembly, used from the standard set.*

**ELECTRICAL SCHEMATIC DIAGRAM 1NPE~230V**

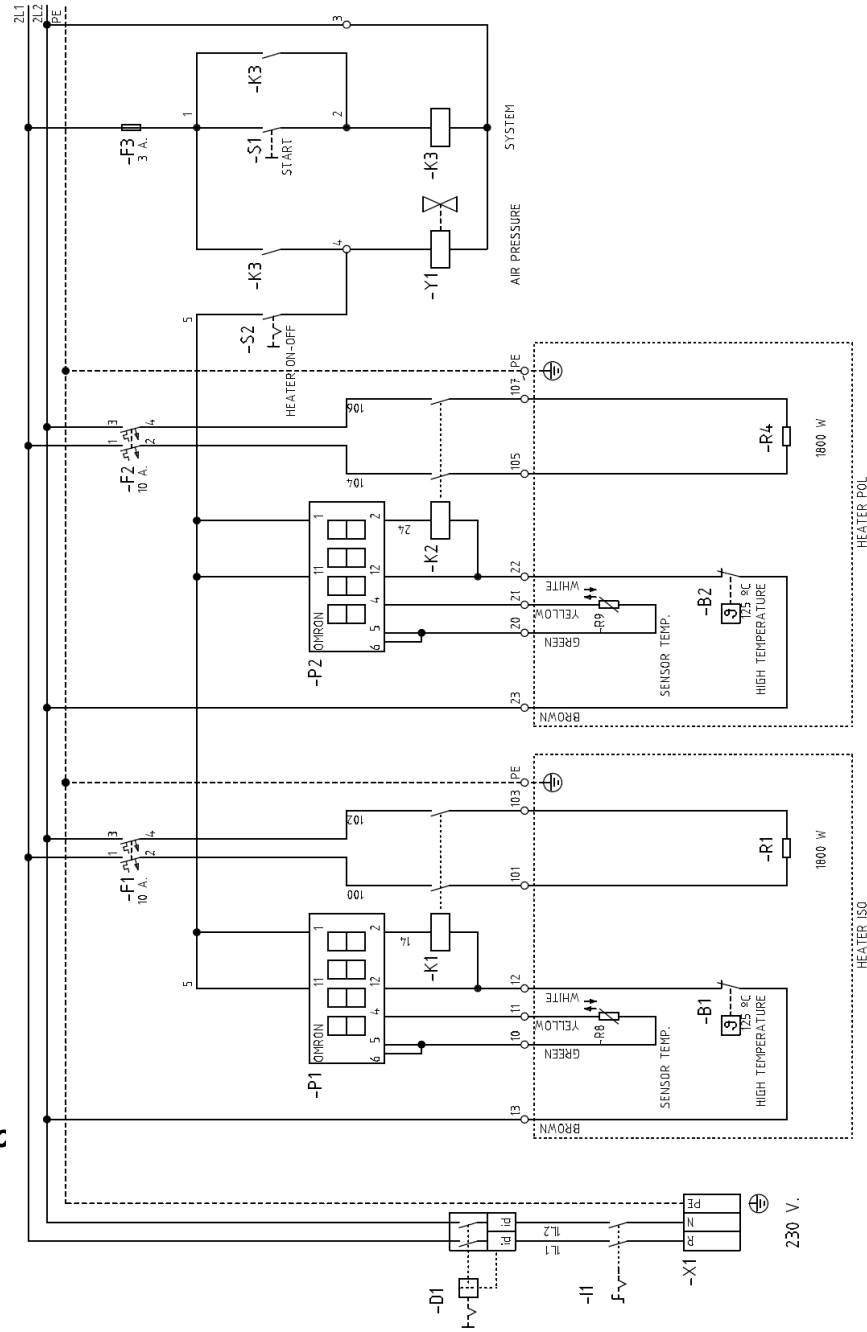
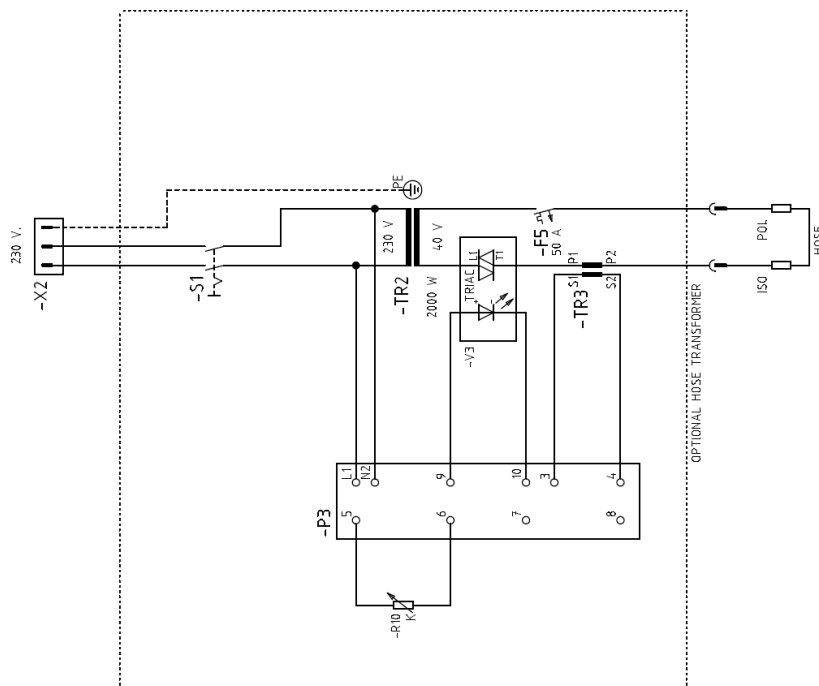


Figure 12. Elec

ay



f 3), Easy Spray

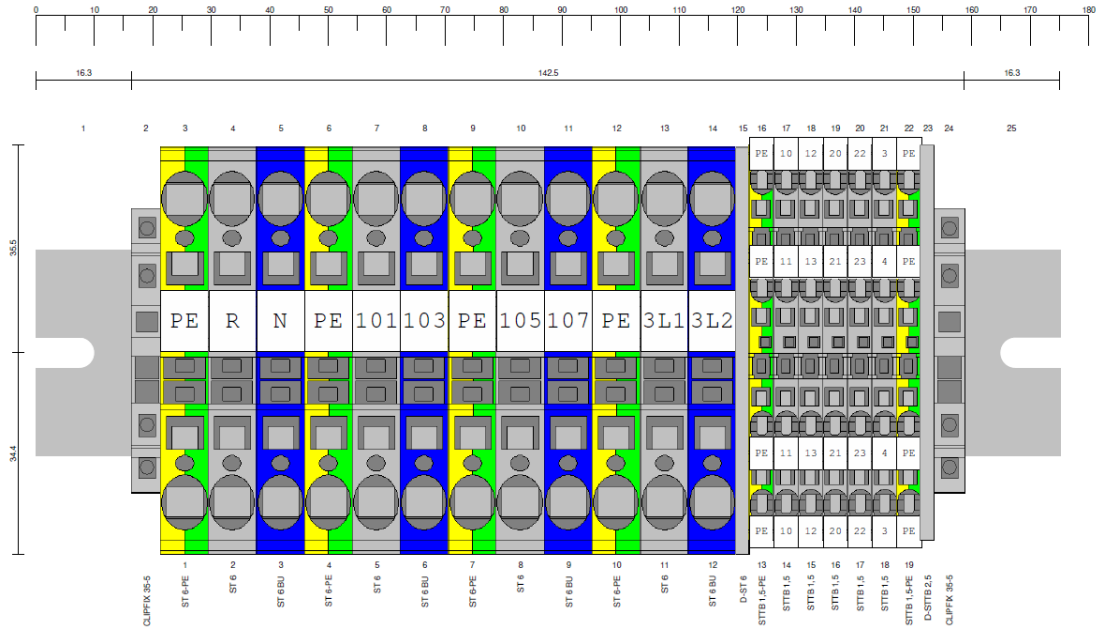


Figure 14. Electrical Schem. Diagram 1NPE~230V (Sheet 3 of 3), Easy Spray

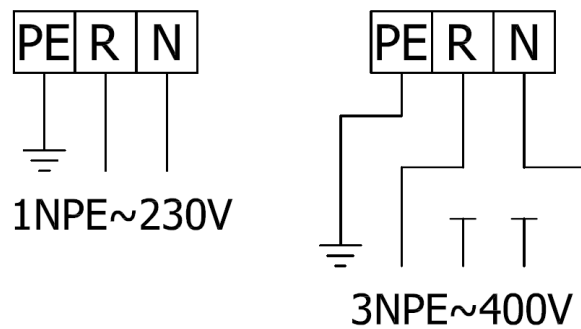
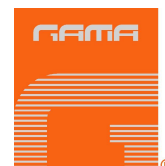


Figure 15. Optional Connections, Easy Spray





**Table 27. Electrical Schem. Diagram 1NPE~230V, Parts List**

| Ref.      | Description                   | Part Number | Qty. |
|-----------|-------------------------------|-------------|------|
|           | TERMINAL SIEMENS BEIGE 6mm    | EL-00104-06 | 3    |
|           | TERMINAL SIEMENS BLUE 6mm     | EL-00104-07 | 3    |
|           | TERMINAL SIEMENS GROUND 6mm   | EL-00104-08 | 3    |
|           | TERMINAL BLOCK SIEMENS 10X2,5 | EL-00104-12 | 1    |
|           | TERMINAL SIEMENS BROUND 2,5mm | EL-00104-11 | 1    |
|           | FUSE TERMINAL                 | EL-00104-13 | 1    |
|           | FUSE                          | EL-00128-02 | 2    |
| I 1       | MAIN SWITCH                   | EL-00107-18 | 1    |
| I 1       | COMMAND YELLOW/RED            | EL-00107-19 | 1    |
| D 1       | DIFFERENTIAL                  | EL-00108-02 | 1    |
| F1,F2     | AUTO SWITCH                   | EL-00111-06 | 2    |
| K1,K2,K3  | RELAY                         | EL-00163-00 | 3    |
| P1,P2 (*) | OMRON REGULATOR               | EL-00147-06 | 2    |
| R8,R9     | THERMOCOUPLE                  | EL-00156-01 | 2    |
|           | BLACK COMMAND 2 POS           | EL-00131-04 | 1    |
|           | GREEN BUTTON                  | EL-00131-01 | 1    |
|           | CHAMBER                       | EL-00131-02 | 2    |
|           | DOWEL 2 POL. 16 AMP.          | EL-00166-00 | 1    |
|           | TERMINAL                      | EL-00105-05 | 1    |
|           | BOX                           | EL-00175-A  | 1    |
|           | PLATE                         | EL-00174-02 | 1    |

**N.B. (\*) :**

***The temperature regulators are not interchangeable with those who were mounted in previous versions.***



**Table 28. Optional Transformer EL-00127-08, Parts List**

| Ref. | Description                        | Part Number | Qty. |
|------|------------------------------------|-------------|------|
| T 2  | TRANSFORMER 230/43 V.              | EL-00127-09 | 1    |
| T 3  | INTENSITY TRANSFORMER              | EL-00127-03 | 1    |
| V 3  | TRIAC                              | EL-00126-02 | 1    |
|      | CIRCUIT                            | EL-00159-00 | 1    |
|      | CIRCULAR MEMBRANE                  | EL-00159-01 | 1    |
|      | SWITCH                             | EL-00107-11 | 1    |
|      | METAL POTENTIOMETER 200 K $\Omega$ | EL-00160    | 1    |
|      | DIAL COMMAND                       | EL-00161-00 | 1    |
|      | DIAL                               | EL-00162-00 | 1    |
|      | DOWEL 2 POL. 16 AMP.               | EL-00166-00 | 1    |
|      | RADIATOR                           | EL-00017    | 1    |



## PNEUMATIC SCHEMATIC DIAGRAM

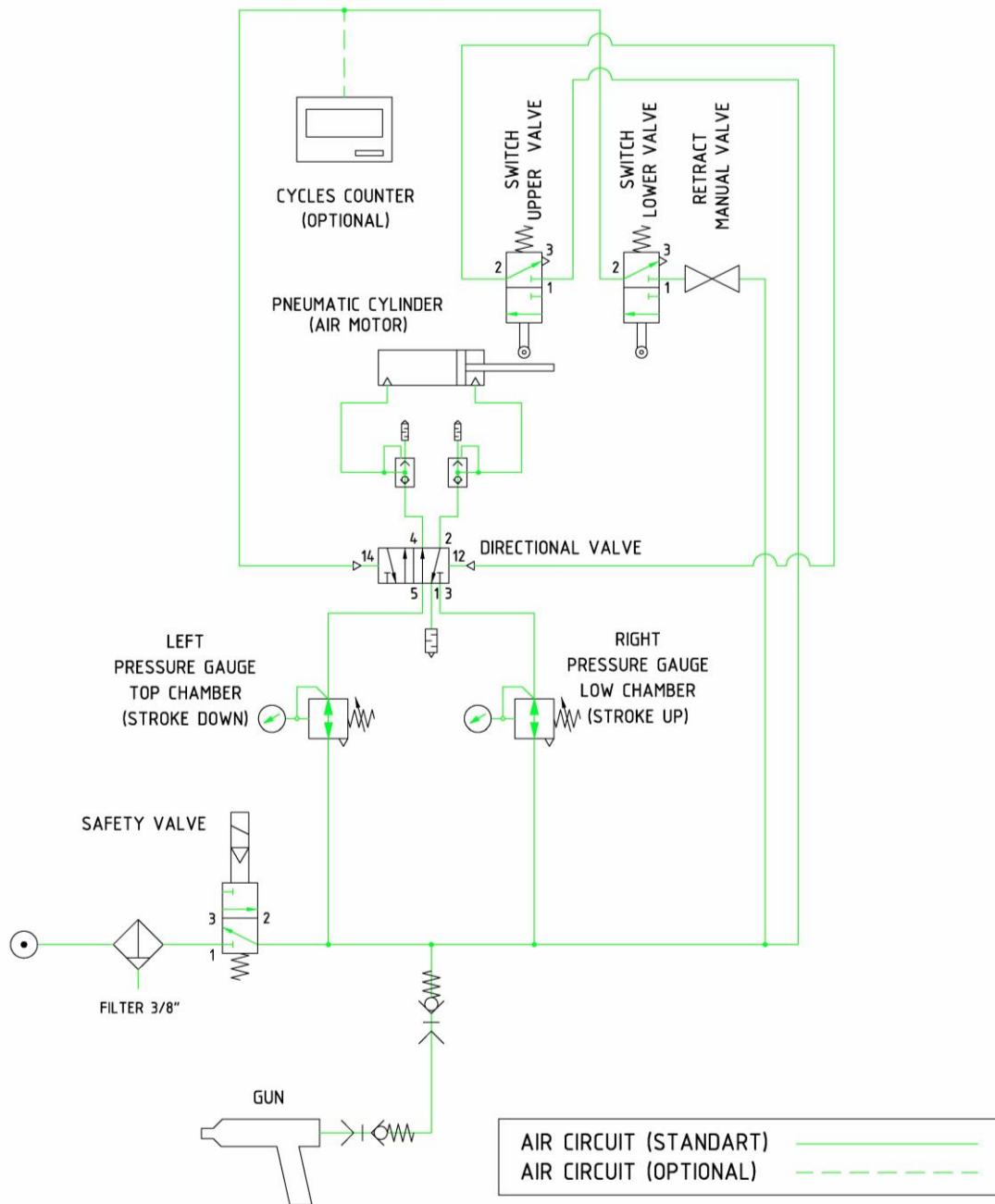


Figure 16. Pneumatic Schematic Diagram

## FUNCTIONING SCHEMATIC DIAGRAM

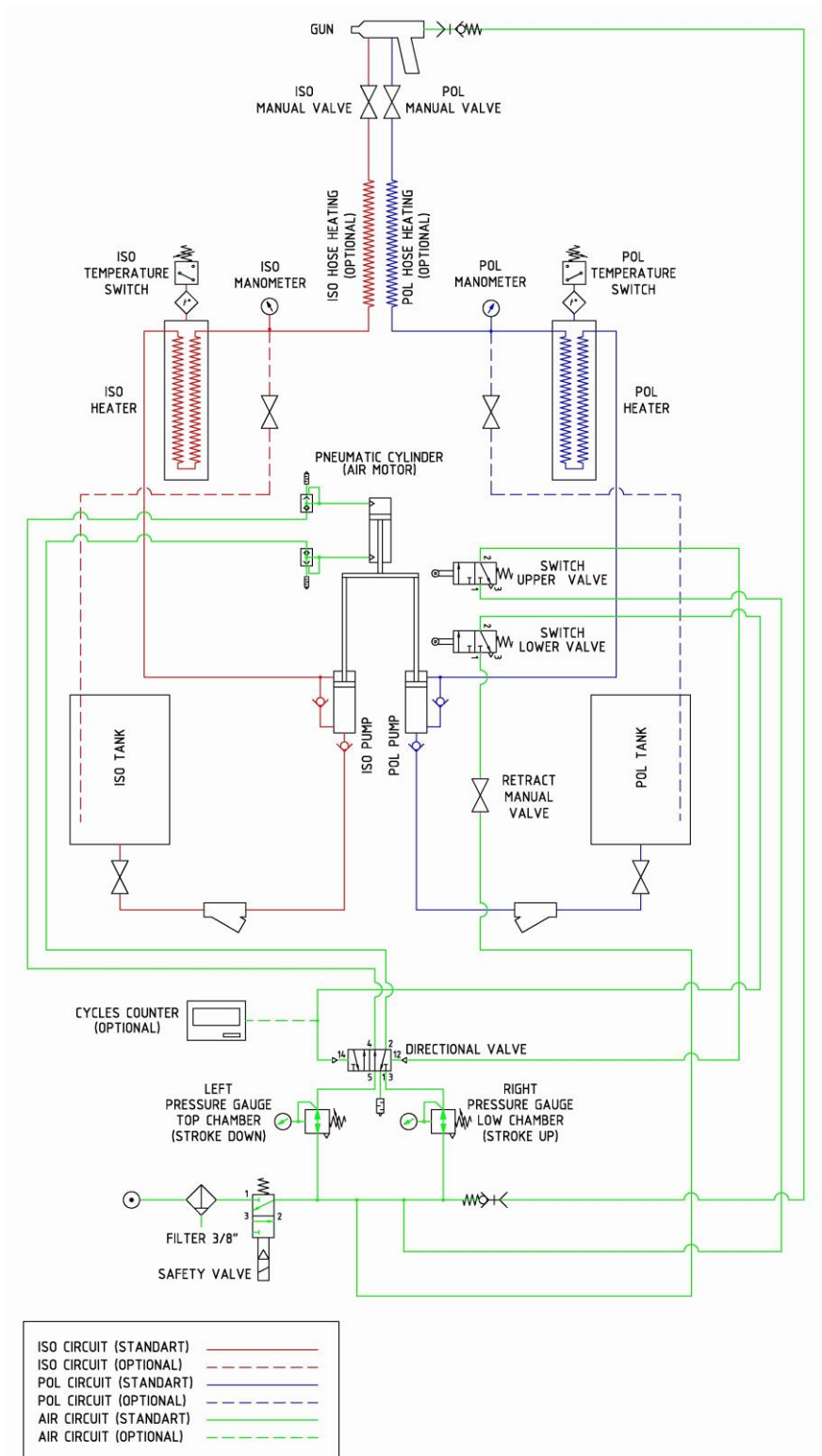


Figure 17. Functioning Schematic Diagram



## TABLE OF CONTENTS

|                                              |    |
|----------------------------------------------|----|
| Warranty                                     | 2  |
| Safety and Handling                          | 3  |
| Proportioning Unit Easy Spray MODEL          | 5  |
| Framework Easy Spray MODEL                   | 8  |
| Product TankS Easy Spray Model               | 10 |
| Electrical Console Easy Spray Model          | 12 |
| Motor #100 Guide System Easy Spray Model     | 14 |
| Motor #125 Guide System Easy Spray Model     | 16 |
| Proportioning Pump Assembly Easy Spray Model | 18 |
| Piston Rod Assembly                          | 21 |
| Air Control Assembly Easy Spray Model        | 23 |
| Primary Heater Easy Spray                    | 26 |
| auxiliary product inLET kit #KT-00127-ASSY   | 29 |
| Electrical Schematic Diagram 1NPE~230V       | 30 |
| Pneumatic Schematic Diagram                  | 35 |
| Functioning Schematic Diagram                | 36 |
| Table of Contents                            | 37 |
| List of Illustrations                        | 38 |



## LIST OF ILLUSTRATIONS

|                                                                           |    |
|---------------------------------------------------------------------------|----|
| Figure 1. Proportioning Unit Easy Spray Model                             | 5  |
| Figure 2. Framework Easy Spray Model, Exploded View                       | 8  |
| Figure 3. Product Tanks, Easy Spray Model, Exploded View                  | 10 |
| Figure 4. Electrical Console Easy Spray Model                             | 12 |
| Figure 5. Motor #100 Guide System Easy Spray Model, Exploded View         | 14 |
| Figure 6. Motor #125 Guide System Easy Spray Model, Exploded View         | 16 |
| Figure 7. Proportioning Pump Assembly Easy Spray Model, Exploded View     | 18 |
| Figure 8. Piston Rod Assembly, Exploded View                              | 21 |
| Figure 9. Air Control Assembly Easy Spray Model, Exploded View            | 23 |
| Figure 10. Primary Heater Easy Spray Model, Exploded View                 | 26 |
| Figure 11. Auxiliary Product Inlet Kit #KT-00127-ASSY,, Exploded View     | 29 |
| Figure 12. Electrical Schem. Diagram 1NPE~230V (Sheet 1 of 3), Easy Spray | 30 |
| Figure 13. Electrical Schem. Diagram 1NPE~230V (Sheet 2 of 3), Easy Spray | 31 |
| Figure 14. Electrical Schem. Diagram 1NPE~230V (Sheet 3 of 3), Easy Spray | 32 |
| Figure 15. Optional Connections, Easy Spray                               | 32 |
| Figure 16. Pneumatic Schematic Diagram                                    | 35 |
| Figure 17. Functioning Schematic Diagram                                  | 36 |