

Parts Manual

Spray Gun

Series Master II

Issue 4.0 24/01/2022
Ref. NR-00020-ENG



Before starting or carrying out maintenance work on the MASTER II gun, please carefully read all the technical and safety documentation included in the Manual Service. It is important to pay special attention to the information contained to see and understand the handling and conditions of use of the gun. This information is aimed at USER SAFETY and the PREVENTION OF PROBLEMS.



WARRANTY

HI-TECH SPRAY EQUIPMENT, S. A. (hereinafter "HI-TECH") grants this Limited Guarantee to the original buyer (hereinafter the "Client") for the unit and the original accessories given with the unit (hereinafter the "Product") against any fault in the design, materials or manufacture of the Product at the time of the first purchase by the user and for a duration of two (2) years thereafter.

If during the guarantee period and under normal conditions of use, the Product should fail to work correctly due to defects of design, material or manufacture, the authorised distributor of the country where the HI-TECH Product or technical assistance service has been purchased shall repair or replace the Product in accordance with what is established in the following:

CONDITIONS

- a) The validity of this guarantee will be subject to the presentation of the original invoice issued by the HI-TECH authorised distributor for the sale of the Product along with the Product handed over for repair or replacement, which must show the date of purchase and the serial number. HI-TECH reserves the right to refuse to give the guarantee service when the indicated data fail to appear on the invoice or have been modified after the purchase of the Product.
- b) The repaired or replaced Product will continue to maintain the original guarantee for the time remaining until the end of the guarantee or for three (3) months from the repair date, if the remaining period of the original guarantee were shorter.
- c) This guarantee will not be applied to the faults in the Product caused by its faulty installation, the natural wear and tear of the components, any use other than that considered normal for this Product or which should fail to strictly comply with the instructions of use provided by HI-TECH; due to accident, carelessness, adjustments, alterations or modifications of the Product not authorised by HI-TECH or due to the use of accessories, heating devices, pumping equipment and/or dispensers that have not been approved or manufactured by HI-TECH.
- d) The guarantee applicable to the components and accessories forming part of the Product and which have not been made by HI-TECH will be limited to the guarantee offered by the original manufacturer thereof.

HI-TECH WILL NOT RECOGNISE ANY EXPRESS ORAL OR WRITTEN GUARANTEES OTHER THAN THIS PRINTED LIMITED GUARANTEE. ALL IMPLICIT GUARANTEES, INCLUDING, WITHOUT LIMIT, ADAPTATION FOR A SPECIFIC USE, ARE SUBJECT TO THE DURATION OF THIS WRITTEN GUARANTEE. HI-TECH DOES NOT ASSUME ANY KIND OF COMMITMENT OR RESPONSIBILITY FOR ALL POSSIBLE DAMAGE OR EXPENSE CAUSED BY FAULTS IN THE OUTPUT OF THE PRODUCT, ITS WORKING OR THE DISPENSING OF MATERIAL THROUGH THE PRODUCT, INCLUDING, WITHOUT LIMITATION, ALL EXPENSES CAUSED BY DAMAGE TO PEOPLE OR PROPERTY. EQUALLY, HI-TECH WILL IN NO CASE ACCEPT LIABILITY FOR THE LOSS OF SPECULATIVE PROFITS OR COMMERCIAL LOSSES. ALL REPAIRS OR REPLACEMENT OF FAULTY PRODUCTS WILL CONSTITUTE THE COMPREHENSIVE FULFILMENT OF HI-TECH'S OBLIGATIONS WITH RESPECT TO THE CLIENT. HI-TECH DOES NOT IN ANY WAY GUARANTEE THE SUITABILITY OR APTITUDE OF ITS PRODUCT FOR ANY PARTICULAR PURPOSE OR APPLICATION.

All information provided on components which have not been manufactured by HI-TECH and which is based on reports received from the original manufacturer, though considered precise and reliable, is provided without any guarantee or responsibility of any explicit or implicit kind.

All concession, sale or financial leasing of the Product by HI-TECH in no case explicitly or implicitly constitutes any authorisation, acceptance or concession for the use of any rights or patents, nor does it encourage, nurture or back their infringement.

The restrictions on the guarantee suppose no limitation on the legal rights of the consumer established in applicable national legislation, nor do they affect any rights derived from the bargain and sale agreement between the consumer and supplier.

All information provided in this manual has been included in the confidence that it is true, although it does not constitute any responsibility or implicit or explicit guarantee. HI-TECH reserves the right at any time and without prior warning to make all improvements and modifications necessary to this manual, in order to rectify any possible typographical errors, increase the information contained or insert the changes caused to the characteristics and performance of the unit.



SAFETY AND HANDLING

The equipment described in this manual has been designed and manufactured in compliance with the following European Directives, following as application guide the harmonized standards detailed and in conformity with the relevant UK Statutory Instruments (and their amendments):

Directive 2006/42/EC on machinery (UK Supply of Machinery (Safety) Regulations 2008)

UNE EN 12100:2012 (BS EN ISO 12100:2010)

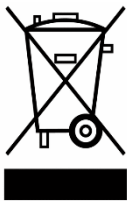
UNE EN 1953:2013 (BS EN 1953:2013)

Directive 2014/68/EU on pressure equipment (UK Pressure Equipment (Safety) Regulations 2016)

UNE EN 809:1999 +A1 (BS EN 809:1998 +A1:2009)

Directive 2011/65/EU on the restriction of the use of certain hazardous substances in electrical and electronic equipment with amendment 2015/863/EU (UK The Restriction of the Use of Certain Hazardous Substances in Electrical and Electronic Equipment Regulations 2012)

Directive 2012/19/EU on waste electrical and electronic equipment (UK The Waste Electrical and Electronic Equipment Regulations 2013)



Electrical products cannot be thrown out with the rubbish. They must be taken to a dedicated collection point for an environmentally sound disposal in accordance with local regulations. You must contact your local collective or retailer for information about recycling. Before leaving WEEE at appropriate collection facilities, batteries must be removed and disposed of separately for proper recycling. The packaging materials are recyclable. Dispose of packaging materials in an environmentally sound manner and place them at the disposal of recycling sectors.

TRANSPORT AND STORAGE

Proper precautions must be taken so that the equipment can withstand the effects of transport and storage temperatures between -25°C and +55°C or up to +70°C for short periods that do not exceed 24 hours. Also, appropriate means to prevent damage from moisture, vibrations or shocks must be foreseen.

STANDARD FINAL ASSEMBLY

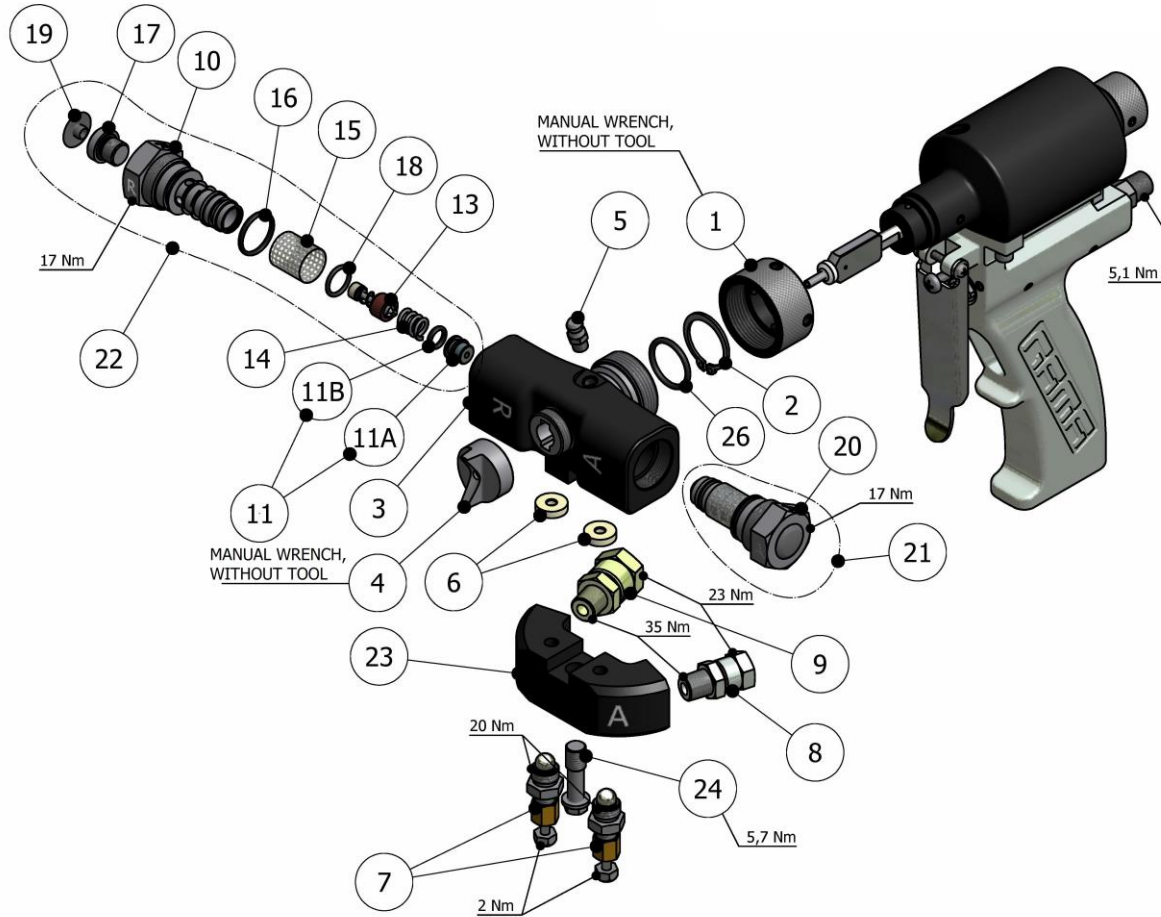


Figure 1. Standard Final Assembly, Master II Gun

**Table 1. Standard Final Assembly Parts List
Master II Gun**

Item	Description	Par Number	Qty.
1	Block Fixture Nut	GU-02107	1
2	Retention Ring	TN-00218	1
3	Mixing Block Unit	GU-02108-00	1
4	Diffuser	See Table 9	1
5	Greaser	TN-00292	1
6	Input Block Seal	GU-03012	2
7	Manual Valve Unit	GU-02020-00G	2

Master II Spray Gun

Parts Manual



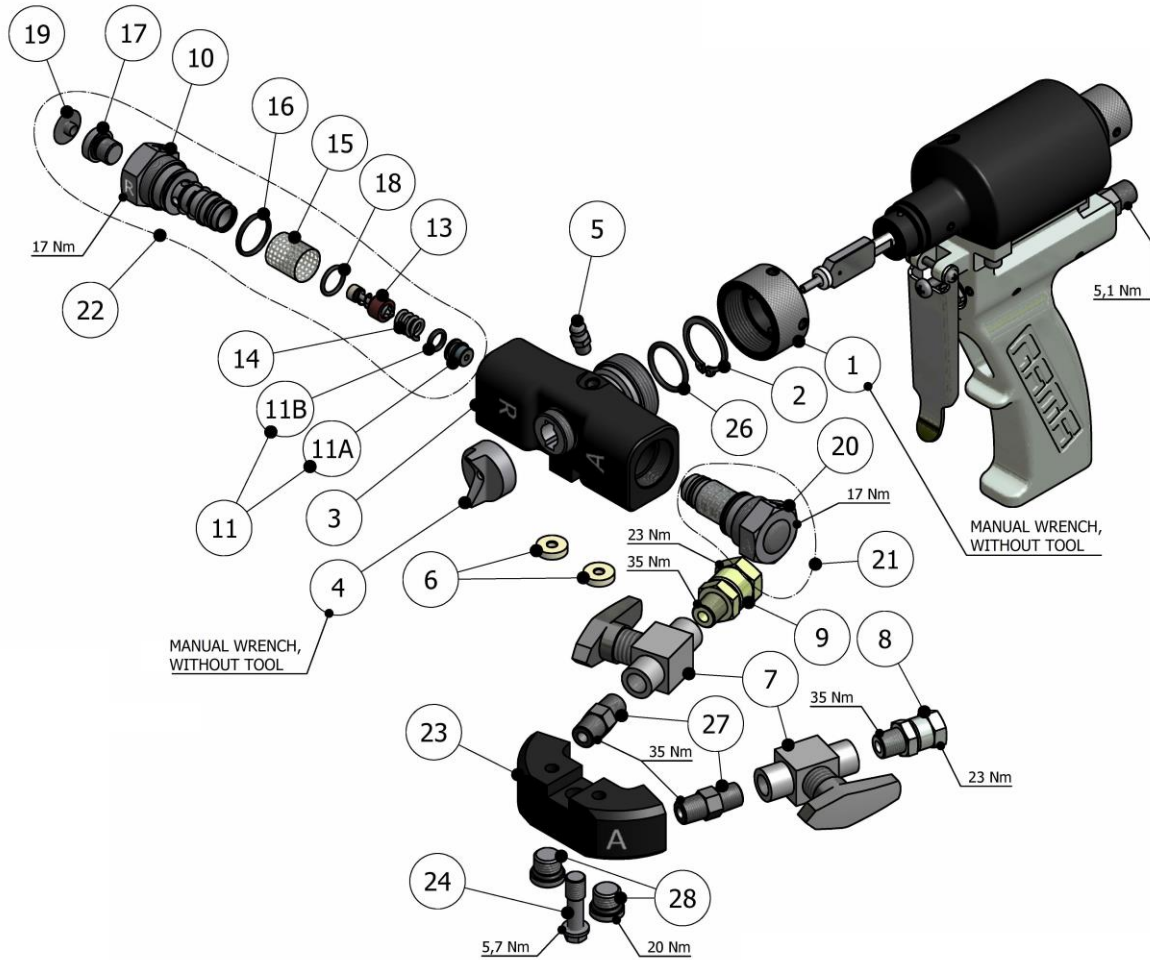
Item	Description	Par Number	Qty.
8	Male Joint- Free Nut	RA-00005	1
9	Male Joint- Free Nut	RA-00006	1
10	POL Side Cartridge Housing	GU-02103	1
11	Assy Metal Seal Bushing, include item 11A & 11B	GU-02049	2
11A	Metal Seal Bushing	GU-02049-02	2
11B	O-ring	OR-00024	2
13	Non-Return Unit	GU-02113-00	2
14	Metal Contact Bushing Spring	SP-00005	2
15	Filter 40 (standard), 60 & 80 Mesh (optional)	GU-02112-40 /60/80	2
16	O-ring	OR-00036	2
17	Stopper	RA-00211	2
18	O-ring	OR-00069	2
19	Protection Stopper	RA-00241	2
20	ISO Side Cartridge Housing	GU-02102	1
21 (#1)	ISO Side Cartridge Unit for Small Size Chambers #0,1,2,3	GU-02102-00	1
	ISO Side Cartridge Unit for Large Size Chambers #4,5	GU-02102-01	1
22 (#2)	POL Side Cartridge Unit for Small Size Chambers#0,1,2,3	GU-02103-00	1
	POL Side Cartridge Unit for Large Size Chambers #4,5	GU-02103-01	1
23	Input Block Unit	GU-02115-00	1
24	Input Block Screw	GU-04036	1
25			
26	O-ring	OR-00055	1

(#1) Item. 21, includes from Item. 11 to Item. 20 (one unit of each).

(#2) Item 22, includes from Item. 10 to Item. 19 (one unit of each).

Item 11A & 11B, are included in item 11.

BALL VALVE FINAL ASSEMBLY (OPTIONAL)



**Figure 2. Ball Valve Final Assembly (OPTIONAL)
Master II Gun**

**Table 2. Ball Valve Final Assembly Parts List (OPTIONAL)
Master II Gun**

Item	Description	Reference	Qty.
1	Block Fixture Nut	GU-02107	1
2	Retention Ring	TN-00218	1
3	Mixing Block Unit	GU-02108-00	1
4	Diffuser	See Table 9	1
5	Greaser	TN-00292	1

Master II Spray Gun

Parts Manual



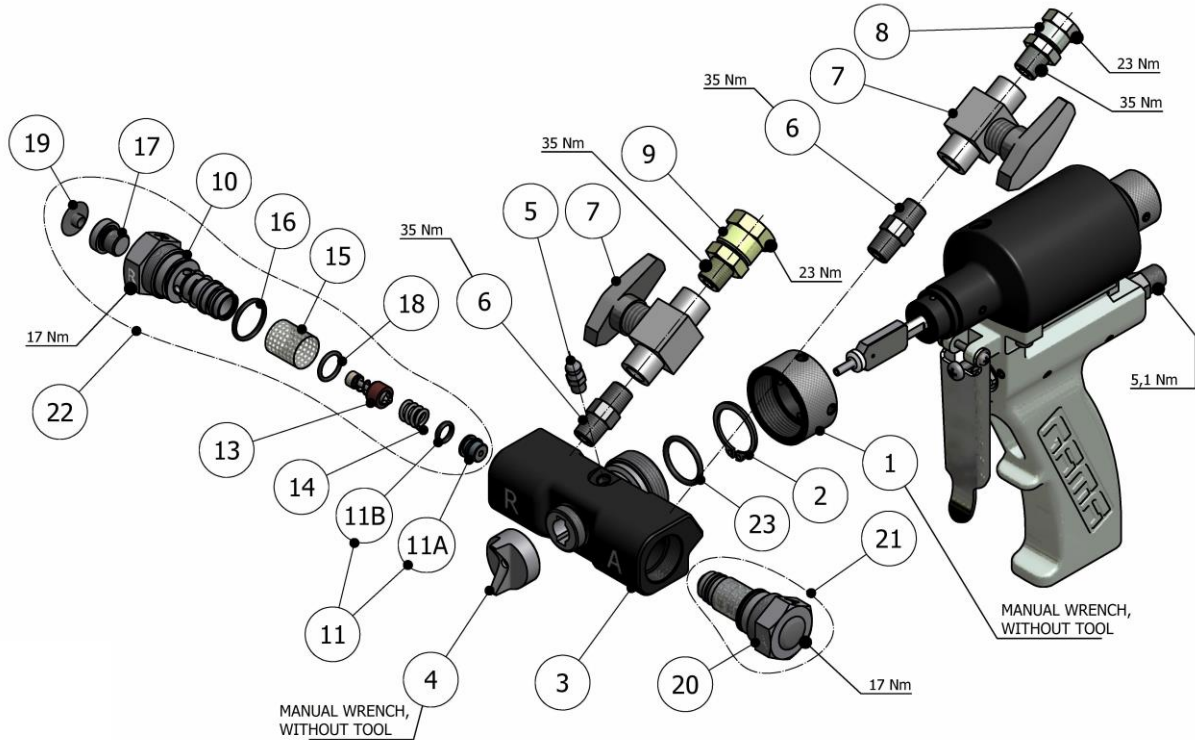
Item.	Description	Reference	Qty.
6	Input Block Seal	GU-03012	2
7	Ball Valve	RA-00070H	2
8	Male Joint- Free Nut	RA-00005	1
9	Male Joint- Free Nut	RA-00006	1
10	POL Side Cartridge Housing	GU-02103	1
11	Assy Metal Seal Bushing, include item 11A & 11B	GU-02049	2
11A	Metal Seal Bushing	GU-02049-02	2
11B	O-ring	OR-00024	2
13	Non-Return Unit	GU-02113-00	2
14	Metal Contact Bushing Spring	SP-00005	2
15	Filter 40 (standard), 60 & 80 Mesh (optional)	GU-02112-40 /60/80	2
16	O-ring	OR-00036	2
17	Stopper	RA-00211	2
18	O-ring	OR-00069	2
19	Protection Stopper	RA-00241	2
20	ISO Side Cartridge Housing	GU-02102	1
21 (#1)	ISO Side Cartridge Unit for Small Size Chambers #0,1,2,3	GU-02102-00	1
	ISO Side Cartridge Unit for Large Size Chambers #4,5	GU-02102-01	1
22 (#2)	POL Side Cartridge Unit for Small Size Chambers#0,1,2,3	GU-02103-00	1
	POL Side Cartridge Unit for Large Size Chambers #4,5	GU-02103-01	1
23	Input Block Unit	GU-02115-00	1
24	Input Block Screw	GU-04036	1
25			
26	O-ring	OR-00055	1
27	Pillar	RA-00112	2
28	Stopper	RA-00242	2

(#1) Item. 21, includes from Item. 11 to Item. 20 (one unit of each).

(#2) Item 22, includes from Item. 10 to Item. 19 (one unit of each).

Item 11A & 11B, are included in item 11.

DIRECT INPUT FINAL ASSEMBLY (OPTIONAL)



**Figure 3. Direct Input Final Assembly (OPTIONAL)
Master II Gun**

**Table 3. Direct Input Final Assembly Parts List (OPTIONAL)
Master II Gun**

Item.	Description	Reference	Qty.
1	Block Fixture Nut	GU-02107	1
2	Retention Ring	TN-00218	1
3	Direct Input Mixing Block Unit	GU-02128-00	1
4	Diffuser	See Table 9	1
5	Greaser	TN-00292	1
6	Pillar	RA-00112	2
7	Ball Valve	RA-00070H	2
8	Male Joint- Free Nut	RA-00005	1
9	Male Joint- Free Nut	RA-00006	1
10	POL Side Cartridge Housing	GU-02103	1

Master II Spray Gun

Parts Manual



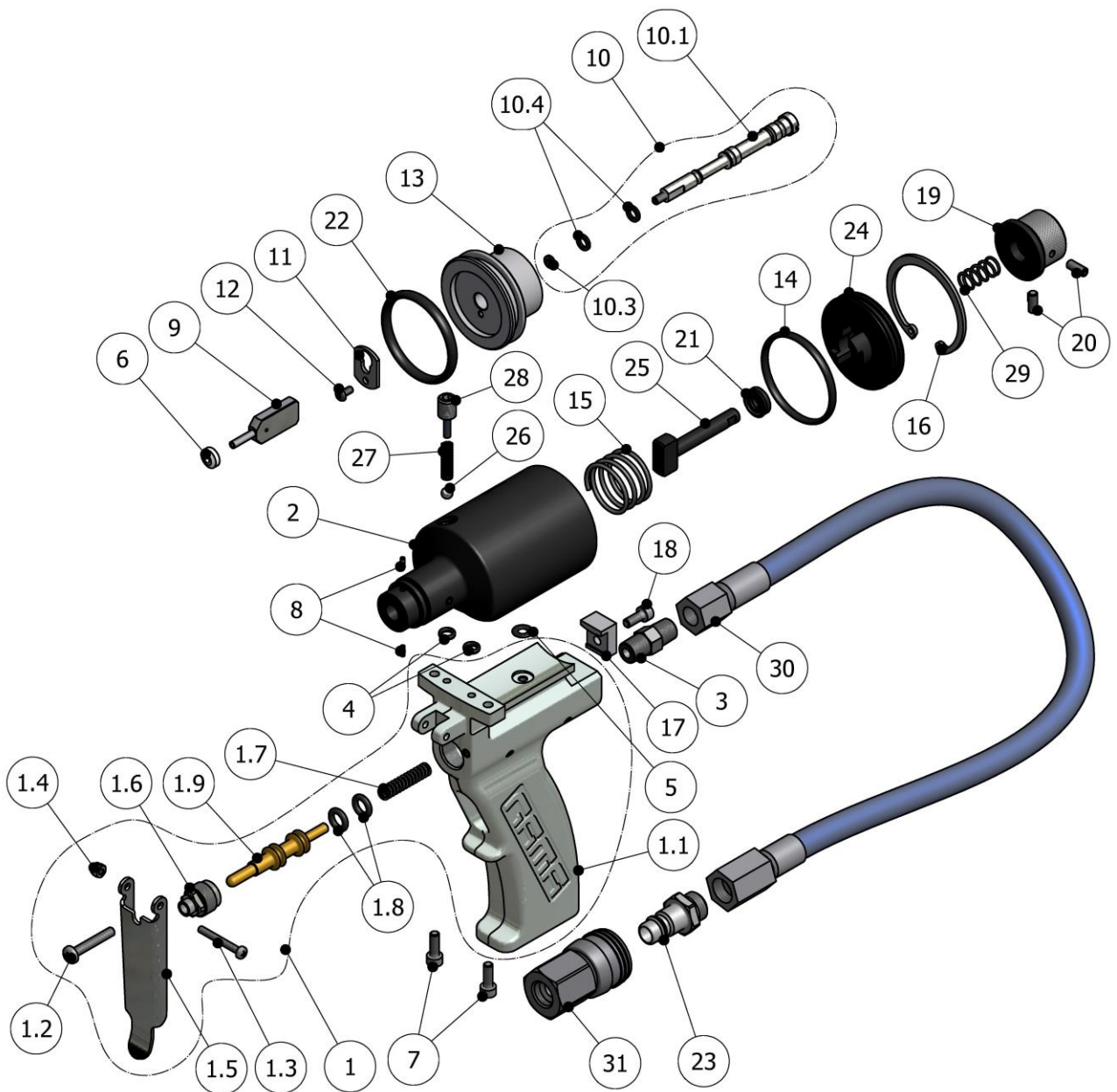
Item.	Description	Reference	Qty.
11	Assy Metal Seal Bushing, include item 11A & 11B	GU-02049	2
11A	Metal Seal Bushing	GU-02049-02	2
11B	O-ring	OR-00024	2
13	Non-Return Unit	GU-02113-00	2
14	Metal Contact Bushing Spring	SP-00005	2
15	Filter 40 (standard), 60 & 80 Mesh (optional)	GU-02112-40 /60/80	2
16	O-ring	OR-00036	2
17	Stopper	RA-00211	2
18	O-ring	OR-00069	2
19	Protection Stopper	RA-00241	2
20	ISO Side Cartridge Housing	GU-02102	1
21 (#1)	ISO Side Cartridge Unit for Small Size Chambers #0,1,2,3	GU-02102-00	1
	ISO Side Cartridge Unit for Large Size Chambers #4,5	GU-02102-01	1
22 (#2)	POL Side Cartridge Unit for Small Size Chambers#0,1,2,3	GU-02103-00	1
	POL Side Cartridge Unit for Large Size Chambers #4,5	GU-02013-01	1
23	O-ring	OR-00055	1

(#1) Item. 21, includes from Item. 11 to Item. 20 (one unit of each).

(#2) Item 22, includes from Item. 10 to Item. 19 (one unit of each).

Item 11A & 11B, are included in item 11.

AIR CYLINDER AND GRIP ASSEMBLY



**Figure 4. Air Cylinder and Grip Assembly
Master II Gun**



**Table 4. Air Cylinder and Grip Parts List
Master II Gun**

Item	Description	Reference	Qty.
1	Handle Assy with Trigger	GU-02129-02	1
1.1	Handle with Plugs (*)	GU-02129-01	1
1.1A	Handle Mechanized and Polished without Plugs (°)	GU-02129-00	1
1.1B	Plug (°)	TN-00251	6
1.2	Trigger Stop Bolt (*)	TN-00235	1
1.3	Trigger Screw (*)	TN-00459	1
1.4	Retention Nut (*)	TN-00460	1
1.5	Trigger (*)	GU-02132	1
1.6	Trigger Valve Nut (*)	GU-02131	1
1.7	Trigger Spring (*)	SP-00022	1
1.8	O-ring (*)	OR-00079	2
1.9	Trigger Shaft (*)	GU_02130	1
2	Double Effect Cylinder Sleeve	GU-02101	1
2.1	Plug (#)	TN-00251	2
3	Hex. Nipple	RA-00112	1
4	O-ring	OR-00002	2
5	O-ring	OR-00024	1
6	Chamber Seal	See Table 9	1
7	Cylindrical Head Screw	TN-00049	2
8	Pin	TN-00214	2
9	Chamber	See Table 9	1
10	Double Effect Plunger Shaft Unit (#)	GU-02163-00	1
10.1	Double Effect Plunger Shaft (included in Pos. 10)	GU-02163-01	1
10.2	Threaded rod (included in Pos. 10)	TN-00010	1
10.3	O-ring	OR-00028	1
10.4	O-ring	OR-00002	2
11	Retention Plate	GU-02163-02	1
12	ULS Screw	TN-00458	1
13	Plunger	GU-02009-01	1



Master II Spray Gun

Parts Manual

Item	Description	Reference	Qty.
14	O-ring	OR-00026	1
15	Plunger Spring	SP-00007	1
16	Retention Ring	TN-00092	1
17	Sleeve Staple	GU-02021	1
18	Cylindrical Head Screw	TN-00002	1
19	Block Activator	GU-02007	1
20	Threaded Bolt	TN-00099	2
21	Collar	OR-00027	1
22	O-ring	OR-00029	1
23	Air Connector	RA-00110	1
24	Cylinder Block	GU-02003	1
25	Lock Bolt	GU-02008	1
26	Non-Return Ball	TN-00228	1
27	Non-Return Spring	SP-00021	1
28	Ball Stop	GU-02120	1
29	Blocking Spring	SP-00008	1
30	Hose Air Supply	MA-00027	1
31	Quick Connect Air Supply	RA-00109	1

(#) Includes 2 x Item 10.4 and 1 x Item 10.3

(*) Parts included in Item 1

(°) Parts included in Item 1.1

(#) Parts included in Item 2

MAGNETIC SWITCH ASSEMBLY (OPTIONAL)

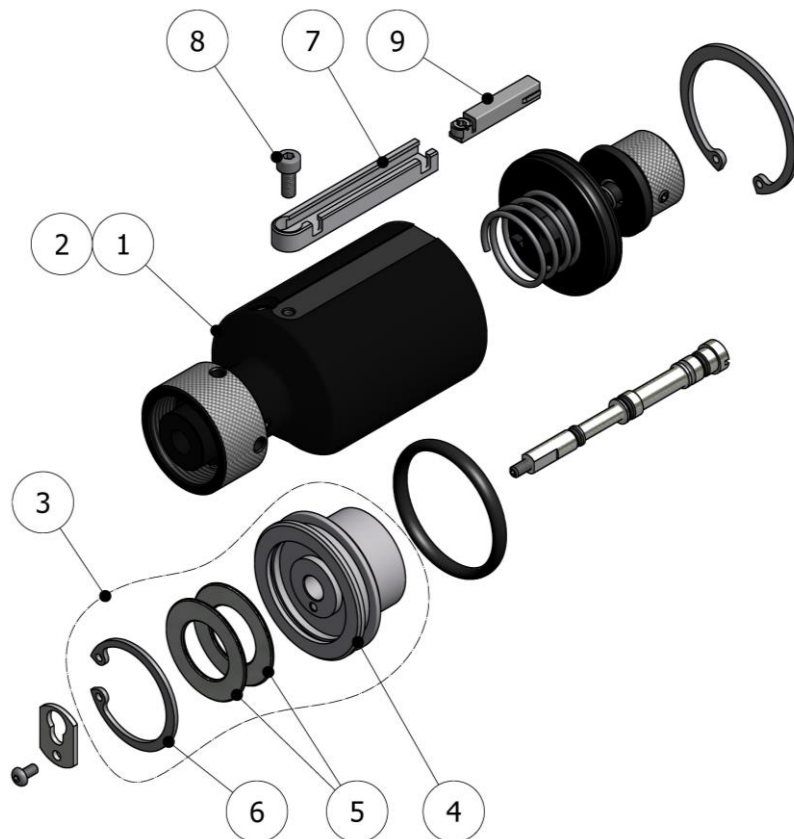


Figure 5. Magnetic Switch Assembly (OPTIONAL)



Table 5. Magnetic Switch Assembly Parts List (OPTIONAL)

Item	Description	Reference	Qty.
1	Magnetic Switch Air Cylinder	GU-02101-01	1
2	Magnetic Switch Air Cylinder for Timer & Auto Version	GU-02101-03	1
	Plug (#)	TN-00251	2+2
3	Magnetic Plunger Unit (includes Pos. 4, 5 and 6)	GU-02059-00	1
4	Magnetic Plunger (included in Pos. 3)	GU-02059-01	1
5	Neodymium Magnet (included in Pos. 3)	GU-02034-02	2
6	Retention Ring (included in Pos. 3)	TN-00009	1
7	Magnetic Switch Bracket	GU-02051	1
8	Cylindrical Head Screw	TN-00002	1
9	Magnetic Switch with cable 2.5 m + Square Connector.	EL-00136-04	1

N.B.:

Fit the correct Air Cylinder for the gun version; Standard or Automatic/Timer.

(#) 2 Plugs included in item 1 and 2 plugs included in item 2



ASSEMBLY FOR TIMER (OPTIONAL)

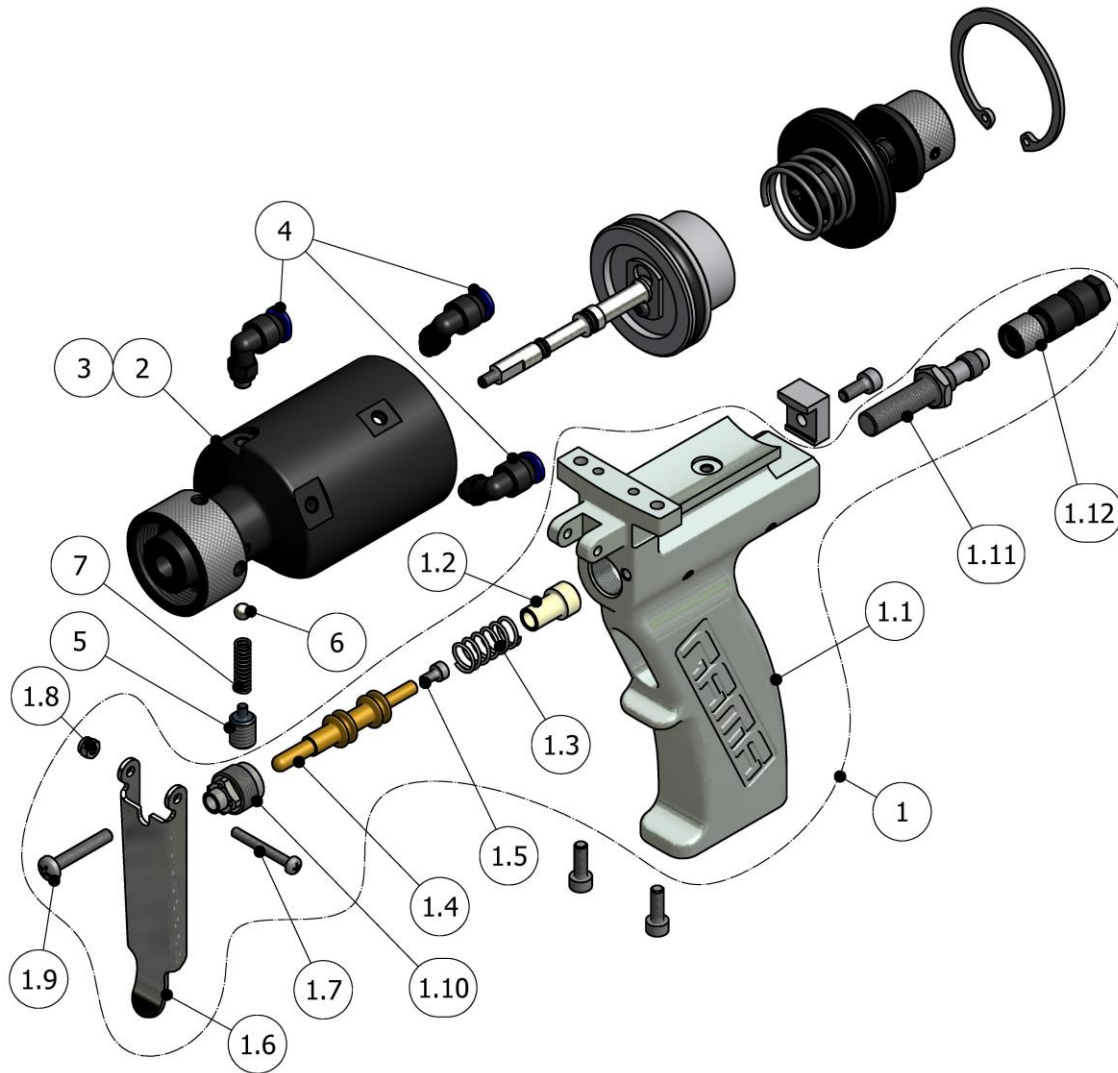


Figure 6. Assembly for Timer (OPTIONAL)



Table 6. Assembly for Timer Parts List (OPTIONAL)

Item	Description	Reference	Qty.
1	Handle Assy with Trigger for Timer	GU-02129-02A	1
1.1	Handle Mechanized and Polished (*)	GU-02129-A0	1
1.2	Timer Trigger Spring Seat (*)	GU-02135	1
1.3	Timer Trigger Spring (*)	SP-00023	1
1.4	Timer Trigger Shaft (*)	GU-02130-A	1
1.5	Cylindrical Head Screw (*)	TN-00020	1
1.6	Trigger (*)	GU-02132	1
1.7	Trigger Screw (*)	TN-00459	1
1.8	Retention Nut (*)	TN-00460	1
1.9	Trigger Stop Bolt (*)	TN-00235	1
1.10	Trigger Valve Nut (*)	GU-02131	1
1.11	Inductive Switch (*)	EL-00136-02	1
1.12	Cable Switch with Connectors (*)	EL-00136-07	1
2	Air Cylinder for Timer & Auto Version	GU-02101-02	1
3	Magnetic Switch Air Cylinder for Timer & Auto Version	GU-02101-03	1
	Plug (#)	TN-00251	2+2
4	Kneed Pneumatic Connection	RA-00088	3
5	Ball Stop	GU-02126	1
6	Non-Return Ball	TN-00228	1
7	Non-Return Spring	SP-00021-01	1

N.B.:

Fit the right Air Cylinder for the standard version of the gun with Timer or for the gun with Timer and Switch.

(*) Parts included in Item 1

(#) 2 Plugs included in item 2 and 2 plugs included in item 3



ASSEMBLY FOR AUTO VERSION (OPTIONAL)

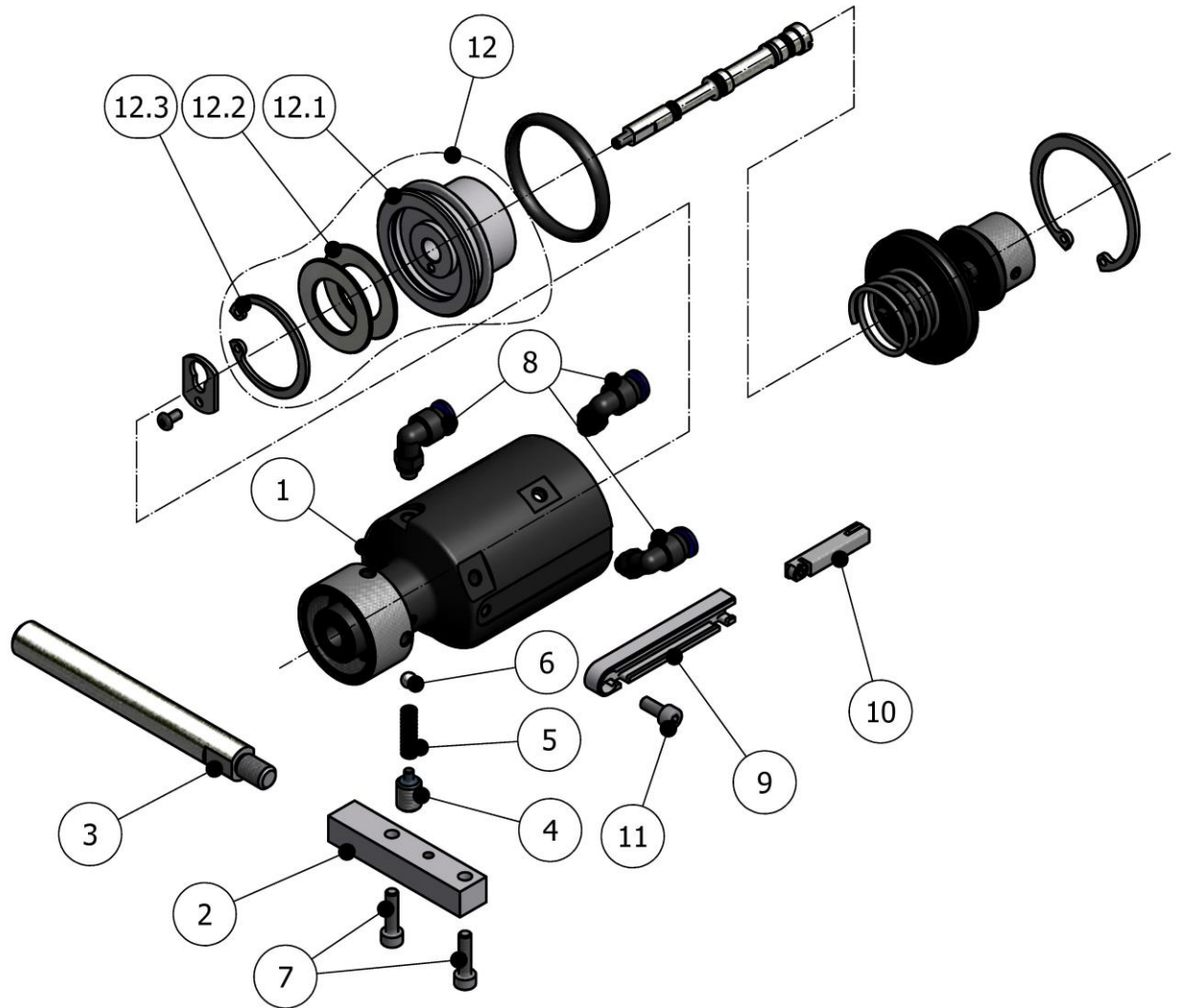


Figure 7. Assembly for Auto Version (OPTIONAL)



Table 7. Assembly for Auto Version Parts List (OPTIONAL)

Item	Description	Reference	Qty.
1	Air Cylinder for Auto Version	GU-02101-03	1
	Plug (#)	TN-00251	2
2	Auto Gun Support	GU-02055	1
3	Connecting Rod	GU-02056	1
4	Ball Stop	GU-02126	1
5	Non-Return Spring	SP-00021-01	1
6	Non-Return Ball	TN-00228	1
7	Allen Bolt	TN-00001	2
8	90° Elbow Connector	RA-00088	3
9	Magnetic Switch Bracket	GU-02051	1
10	Magnetic Switch with cable 2.5m + Square Connector	EL-00136-04	1
11	Allen Bolt	TN-00002	1
12	Magnetic Piston Assy (Include Item.12.1, 12.2 & 12.3)	GU-02059-00	1
12.1	Magnetic Piston (included in Item.12)	GU-02059-01	1
12.2	Neodymium Magnet (included in Item.12)	GU-02034-02	2
12.3	Retention Ring (included in Item.12)	TN-00009	1

(#) Parts included in Item 1



ROUND FAN ASSEMBLY

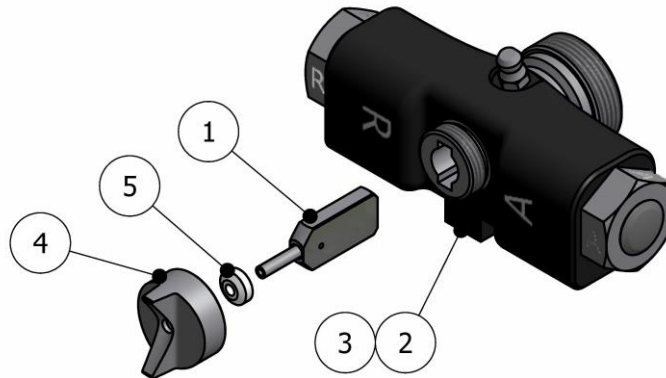


Figure 8. Round Fan Assembly

Table 8. Round Fan Assembly Parts List

Item	Description	Reference	Qty.
1	"Round" Mixing Chamber	See Table 9	1
2	Mixing Block Unit (Standard)	GU-02108-00	1
3	Direct Input Mixing Block Unit (Optional)	GU-02128-00	1
4	Air Cap	See Table 9	1
5	Air Seal	See Table 9	1



Table 9. List of Components depending on Round Chamber Production

Production (Kg/min.)	Mixing Chamber Item 1	Air Cap Item 4	Air Seal Item 5
1,4 – 4,2	GU-02035	GU-02104	GU-02024
1,5 – 5,3	GU-02011-0	GU-02104	GU-02024
2,1 – 6,7	GU-02011	GU-02104	GU-02024
3,7 – 10,5	GU-02012	GU-02104	GU-02024
4,6 – 12,7	GU-02013	GU-02104	GU-02024
6,8 – 18,5	GU-02014	GU-02104	GU-02024
8,5 – 19,2	GU-02015	GU-02105	GU-02023
8,5 – 20,2	GU-02016	GU-02105	GU-02023
2,1 – 6,7	GU-02205	GU-02104	GU-02024
1,5 – 5,3	GU-02204	GU-02104	GU-02024

NB: Outputs are approximated, values can change depending on the densities and temperatures of the chemicals.

Test fluid: Mesamoll. Dynamic stickiness: 100-130 mPa.s. Thickness: from 1,04 to 1,07 Kg/L. Pressure 40- 250 bar.

To see the components included in the Round Mixing Chamber Assy, to consult the Table 10.



Table 10. List of Components Included in Round Mixing Chamber Assy

Size	Chamber Assy	Chamber Item 1	Clean Drill 1	Clean Drill 2	Air Seal Item 5
000	GU-02035-00	GU-02035	HT-00027	HT-00079	GU-02024
00	GU-02011-000	GU-02011-0	HT-00104	HT-00023	GU-02024
0	GU-02011-00	GU-02011	HT-00062	HT-00063	GU-02024
1	GU-02012-00	GU-02012	HT-00064	HT-00065	GU-02024
2	GU-02013-00	GU-02013	HT-00029	HT-00062	GU-02024
3	GU-02014-00	GU-02014	HT-00030	HT-00064	GU-02024
4	GU-02015-00	GU-02015	HT-00013	HT-00014	GU-02023
5	GU-02016-00	GU-02016	HT-00089	HT-00030	GU-02023
A0	GU-02205-00	GU-02205	HT-00066	HT-00087	GU-02024
A00	GU-02204-00	GU-02204	HT-00064	HT-00022	GU-02024

FLAT FAN ASSEMBLY

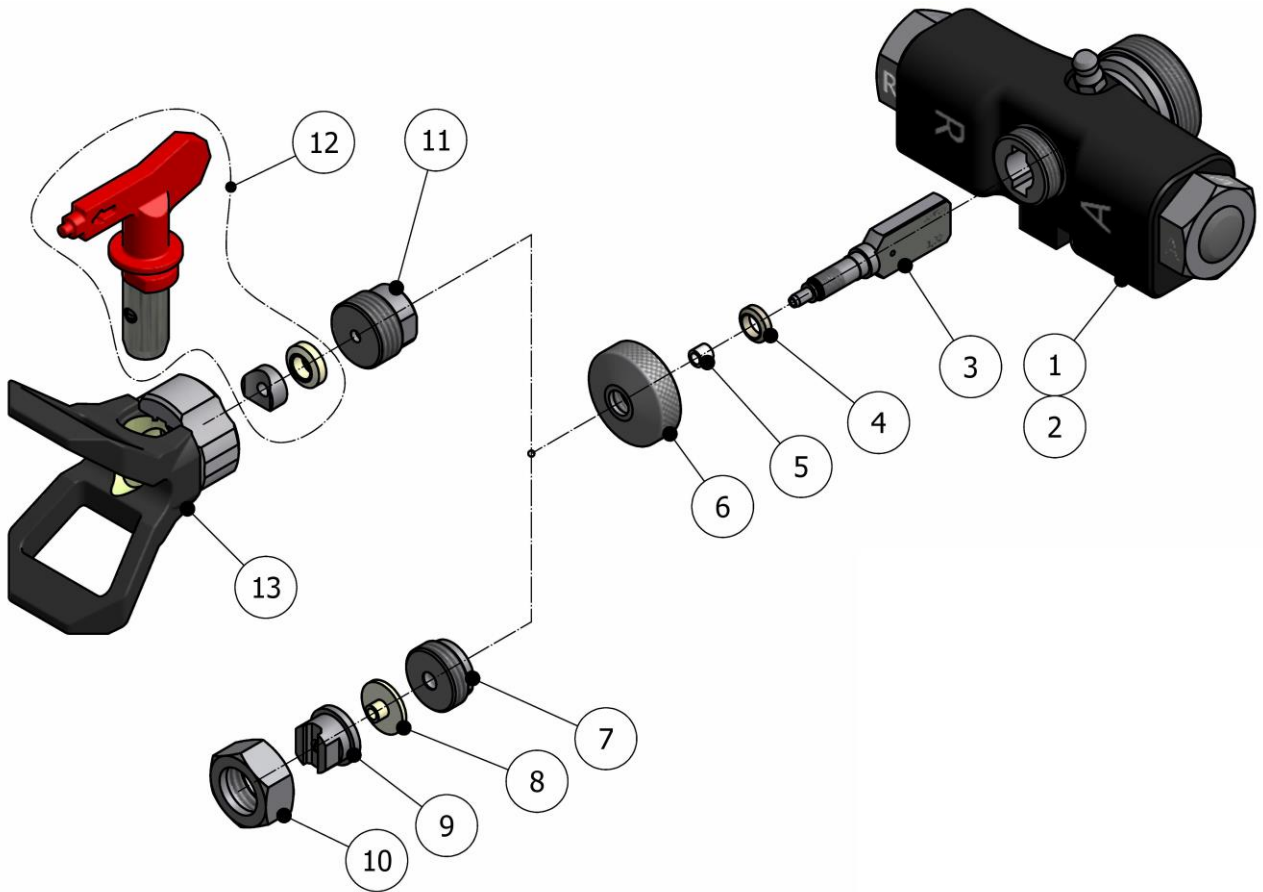


Figure 9. Flat Fan Assembly



Table 11. Flat Fan Assembly Parts List

Item	Description	Reference	Qty.
1	Mixing Block Unit (Standard)	GU-02108-00	1
2	Direct Input Mixing Block Unit (Optional)	GU-02128-00	1
3	“Flat” Mix Chamber	See Table 12 & Table 13	1
4	Chamber Seal	GU-02022	1
5	Stem Adjustment Bushing	See Table 12 & Table 13	1
6	Diffuser	GU-02027	1
7	Standard TIP Seat	See Table 12	1
8	TIP Seal	See Table 12	1
9	TIP	See Table 16	1
10	Retention Nut	GU-02042-01	1
11	Reversible TIP Support Adapter (Optional)	See Table 12 & Table 13	1
12	Reversible TIP (Optional)	See Table 17	1
13	Reversible TIP Support (Optional)	GU-05017	1

To see the components included in the Flat Mixing Chamber Assy, to consult the Table 13.

Table 12. Parts List for Flat Chambers with Standard TIP, depending on Production

Production (Kg/min.)	Size	Item 3	Item 5	Item 7	Item 8
		Chamber	Stem Adjustment Bushing	TIP Seat	TIP Seal
2,1 – 6,7	0	GU-02071	-	GU-02090-01	GU-02041-01
3,7 – 10,5	1	GU-02072	-	GU-02090-01	GU-02041-01
4,6 – 12,7	2	GU-02073	-	GU-02090-01	GU-02041-01
6,8 – 18,5	3	GU-02074	-	GU-02090-01	GU-02041-01
8,5 – 19,2	4	GU-02075	GU-02053	GU-02090-02	-
8,5 – 20,2	5	GU-02076	GU-02053	GU-02090-02	-

NB: Outputs are approximated, values can change depending on the densities and temperatures of the chemicals. Test fluid: Mesamoll. Dynamic stickiness: 100-130 mPa.s. Thickness: from 1,04 to 1,07 Kg/L. Pressure 40- 250 bar.



Reversible TIP (OPTIONAL)				
Output (Kg/min.)	SIZE Mixing Chamber	Item.1	Item.5	Item.11
		Mixing Chamber	Stem Adjustment Bushing	Adapter reversible TIP support (OPTIONAL)
2,1 – 6,7	0	GU-02071	GU-02048	GU-02043-01
3,7 – 10,5	1	GU-02072	GU-02048	GU-02043-01
4,6 – 12,7	2	GU-02073	GU-02048	GU-02043-01
6,8 – 18,5	3	GU-02074	GU-02048	GU-02043-01
8,5 – 19,2	4	GU-02075	GU-02053	GU-02054-01
8,5 – 20,2	5	GU-02076	GU-02053	GU-02054-01

NB: Outputs are approximated, values can change depending on the densities and temperatures of the chemicals.

Test fluid: Mesamoll. Dynamic stickiness: 100-130 mPa.s. Thickness: from 1,04 to 1,07 Kg/L. Pressure 40- 250 bar.

Table 13. List of Components Included in Flat Mixing Chamber Assy

Size	Chamber Assy	Chamber Item 3	Clean Drill 1	Clean Drill 2	Air Seal Item 4	Seal Item 5
0	GU-02071-00	GU-02071	HT-00062	HT-00063	GU-02022	-
1	GU-02072-00	GU-02072	HT-00064	HT-00065	GU-02022	-
2	GU-02073-00	GU-02073	HT-00029	HT-00062	GU-02022	-
3	GU-02074-00	GU-02074	HT-00030	HT-00064	GU-02022	-
4	GU-02075-00	GU-02075	HT-00013	HT-00014	GU-02022	GU-02053
5	GU-02076-00	GU-02076	HT-00089	HT-00030	GU-02022	GU-02053



STATIC MIXER ASSEMBLY (OPTIONAL)

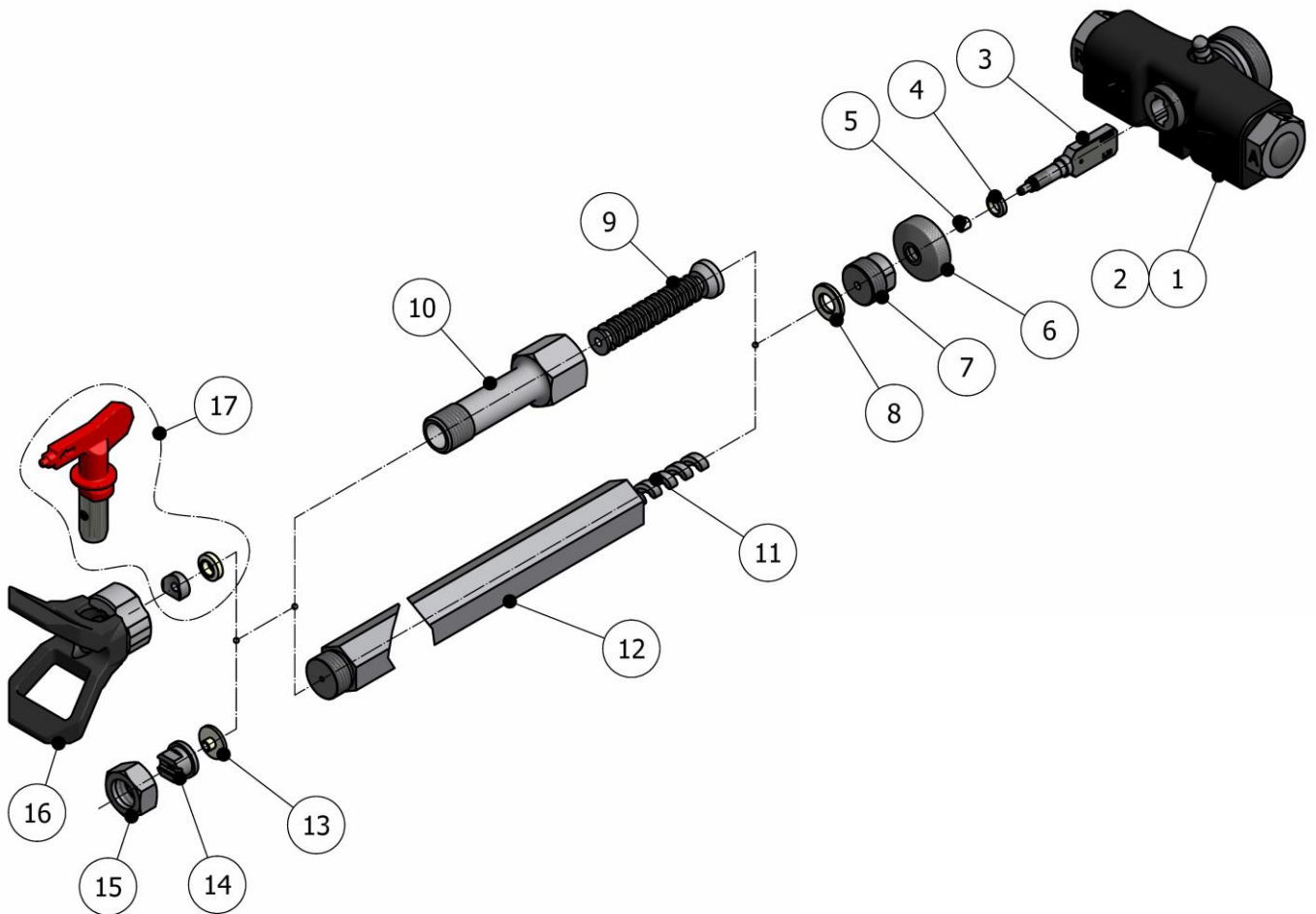


Figure 10. Static Mixer Assembly (OPTIONAL)



Table 14. Static Mixer Assembly Parts List (OPTIONAL)

Item	Description	Reference	Qty.
1	Mixing Block Unit (Standard)	GU-02108-00	1
2	Direct Input Mixing Block Unit (Optional)	GU-02128-00	1
3	"Flat" Chamber	See Table 15	1
4	Chamber Seal	GU-02022	1
5	Stem Adjustment Bushing	See Table 15	1
6	Diffuser	GU-02027	1
7	Static Mixer Adapter	See Table 15	1
8	Seal	GU-05019	1
9	Labyrinth Type Mixer	See Table 19	-
10	Mixer Sleeve	See Table 19	-
11	Mixer	See Table 18	1
12	Mixer Sleeve	See Table 18	1
13	TIP Seal	GU-02041-01	1
14	TIP	See Table 16	1
15	Retention Nut	GU-02042-01	1
16	Reversible TIP Support (Optional)	GU-05017	1
17	Reversible TIP (Optional)	See Table 17	1

To see the components included in the Flat Mixing Chamber Assy, to consult the Table 13.



Table 15. Static Mixer Parts List, depending on Production.

Production (Kg/min.)	Size	Item 3	Item 5	Item 7
		"Flat" Chamber	Stem Adjustment Bushing	Static Mixer Adapter
2,1 – 6,7	0	GU-02071	GU-02048	GU-02043-01
3,7 – 10,5	1	GU-02072	GU-02048	GU-02043-01
4,6 – 12,7	2	GU-02073	GU-02048	GU-02043-01
6,8 – 18,5	3	GU-02074	GU-02048	GU-02043-01
8,5 – 19,2	4	GU-02075	GU-02053	GU-02054-01
8,5 – 20,2	5	GU-02076	GU-02053	GU-02054-01

NB: Outputs are approximated, values can change depending on the densities and temperatures of the chemicals.

Test fluid: Mesamoll. Dynamic stickiness: 100-130 mPa.s. Thickness: from 1,04 to 1,07 Kg/L. Pressure 40- 250 bar.

To see the components included in the Flat Mixing Chamber Assy, to consult the Table 13.



Table 16. List of Standard TIP Sizes

Standard TIP	Orifice Size mm	Pattern Width cm (*)
GU-02045-1910	0.48	10
GU-02045-1915	0.48	15
GU-02045-1920	0.48	20
GU-02045-1930	0.48	30
GU-02045-1935	0.48	35
GU-02045-1940	0.48	40
GU-02045-1945	0.48	45
GU-02045-2310	0.58	10
GU-02045-2315	0.58	15
GU-02045-2320	0.58	20
GU-02045-2325	0.58	25
GU-02045-2330	0.58	30
GU-02045-2335	0.58	35
GU-02045-2340	0.58	40
GU-02045-2720	0.69	20
GU-02045-2725	0.69	25
GU-02045-2730	0.69	30

Table 17. Reversible TIP Sizes

Reversible TIP	Orifice Size mm	Pattern Width cm (*)
GU-05016-2310	0.58	10
GU-05016-2320	0.58	20
GU-05016-2340	0.58	40
GU-05016-2720	0.69	20
GU-05016-2730	0.69	30
GU-05016-3520	0.90	20
GU-05016-3530	0.90	30
GU-05016-3540	0.90	40

(*) Values obtained with water at 130 bar pressure and 30 cm from the surface to be projected.

Consult the Marketing department for delivery times for these elements.



Table 18. List of Standard Mixer and Standard Mixer Sleeve depending on Length

Standard Mixer Sleeve	Standard Mixer	Mixer Length mm.
GU-02046-25	GU-02047-25	25
GU-02046-50	GU-02047-50	50
GU-02046-100	GU-02047-100	100
GU-02046-150	GU-02047-150	150
GU-02046-200	GU-02047-200	200
GU-02046-300	GU-02047-300	300
GU-02046-400	GU-02047-400	400
GU-02046-500	GU-02047-500	500

Table 19. List of Labyrinth Mixer and Labyrinth Mixer Sleeve depending on Length

Length	Static Chamber GU-04045	Labyrinth Mixing Element GU-04046	Seal GU-05019
65	1x	1x	1x
130	2x	2x	2x
195	3x	3x	3x
260	4x	4x	4x



Table 20. List of Cleaning Drills

Size	Round Chamber	Flat Chamber	Outlet Drill mm	Reference	Inlets Drill mm	Reference
000	GU-02035-00	-	1,000 (0,95)	HT-00027	0,700 (0,65)	HT-00079
00	GU-02011-000	-	1,130 (1,10)	HT-00104	0,800 (0,75)	HT-00023
0	GU-02011-00	GU-02071-00	1,321 (1,30)	HT-00062	0,910 (0,90)	HT-00063
1	GU-02012-00	GU-02072-00	1,588 (1,55)	HT-00064	1,092 (1,05)	HT-00065
2	GU-02013-00	GU-02073-00	1,780 (1,75)	HT-00029	1,320 (1,30)	HT-00062
3	GU-02014-00	GU-02074-00	2,261 (2,25)	HT-00030	1,600 (1,55)	HT-00064
4	GU-02015-00	GU-02075-00	2,514 (2,50)	HT-00013	1,854 (1,80)	HT-00014
5	GU-02016-00	GU-02076-00	3,175 (3,15)	HT-00089	2,261 (2,25)	HT-00030
A0	GU-02205-00	-	1,520 (1,50)	HT-00066	0,850 (0,80)	HT-00087
A00	GU-02204-00	-	1,600 (1,55)	HT-00064	0,600 (0,55)	HT-00022

Note:

Diameter of hole, (between parenthesis, drill diameter).



ASSEMBLY POUR ADAPTER (OPTIONAL)

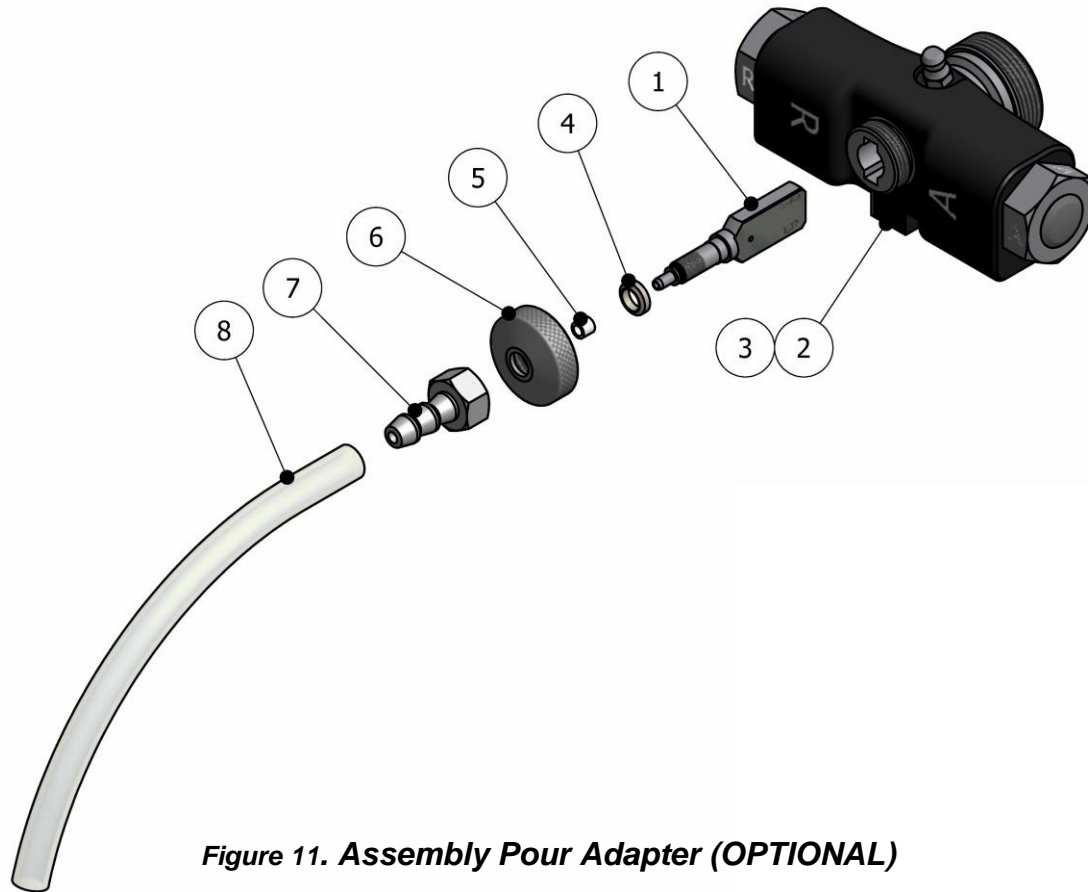


Figure 11. Assembly Pour Adapter (OPTIONAL)

Table 21. Assembly Pour Adapter Parts List (OPTIONAL)

Item	Description	Reference	Qty.
1	"Flat" Chamber	See Table 15	1
2	Mixing Block Unit (Standard)	GU-02108-00	1
3	Direct Input Mixing Block Unit (Optional)	GU-02128-00	1
4	Chamber Seal	GU-02022	1
5	Stem Adjustment Bushing	See Table 15	1
6	Diffuser	GU-02027	1
7	Pouring Hose Adapter	GU-02094-01	1
8	Hose interior dia. 1/4"	NE-00043-SIZE	1

To see the components included in the Flat Mixing Chamber Assy, to consult the Table 13.

The "SIZE" nomenclature of Item 8 defines the required hose length.

RECIRCULATION KIT (OPTIONAL)

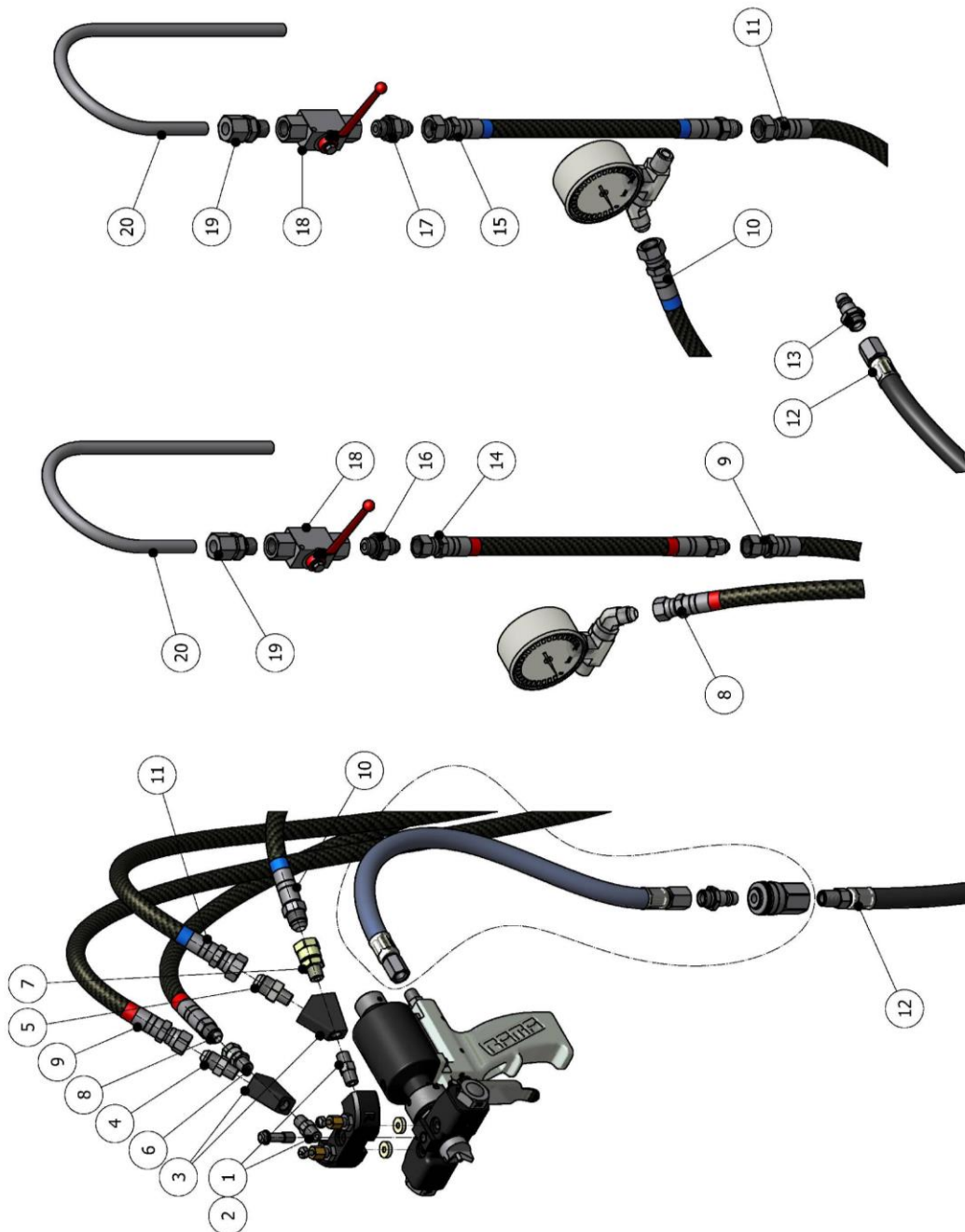


Figure 12. Recirculation Kit (OPTIONAL)
KT-00059-9



**Table 22. (OPTIONAL) Recirculation Kit, Parts List
KT-00059-9**

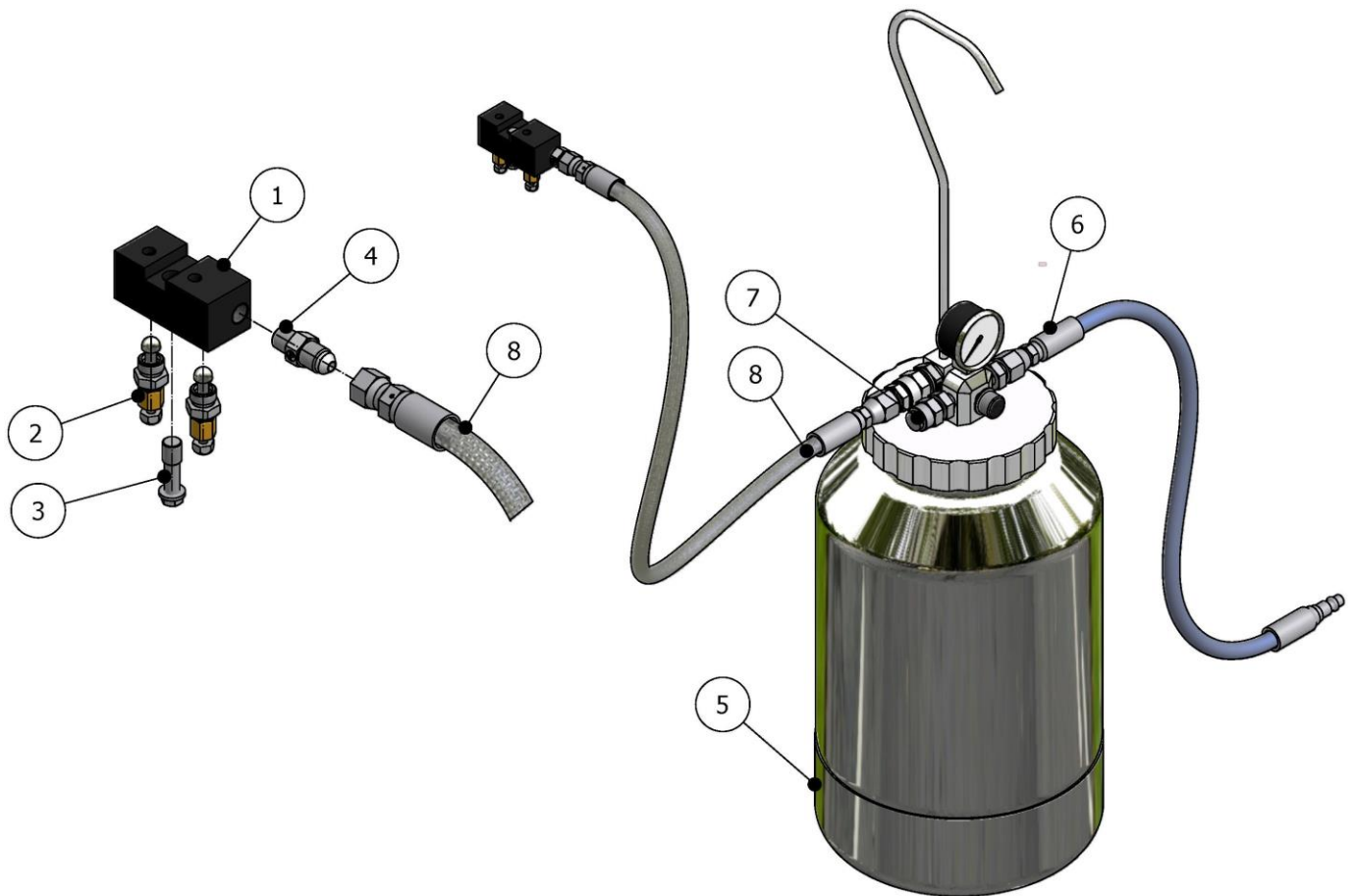
Item.	Description	Part Number	Qty.
1	Nipple	RA-00112	2
2	Elbow	RA-00205	2
3	Manifold	RA-00464	2
4	Nipple	RA-00238	1
5	Nipple	RA-00237	1
6	Swivel (*)	RA-00005	1
7	Swivel (*)	RA-00006	1
8	Flex 10000 mm Supply ISO	MA-00060-3	1
9	Flex 10000 mm Recirculation ISO	MA-00060-2	1
10	Flex 10000 mm Supply POL	MA-00059-3	1
11	Flex 10000 mm Recirculation POL	MA-00059-2	1
12	Air Hose	MA-00194	1
13	Air Coupler	RA-00110	1
14	Flex 1000 mm Recirculation Extended ISO	MA-00177	1
15	Flex 1000 mm Recirculation Extended POL	MA-00178	1
16	Nipple	RA-00144	1
17	Nipple	RA-00145	1
18	Ball Valve	RA-00217	2
19	Swivel	RA-00218	2
20	Tube	MQ-06016	2
	Hose Cover 10000 mm	MA-00123	
	Insulating Cover 10000 mm	MA-00099	
	Insulating Cover 8000 mm	MA-00099-1	

(*) Parts included in the standard assembly of gun.

IMPORTANT NOTE:

Consult prices and delivery times with the Marketing Department for all OPTIONAL assemblies, and for the Standard TIP, Reversible TIP and special chamber elements (to order).

CLEANLINESS KIT (OPTIONAL)



*Figure 13. Cleanliness Kit, Parts List (OPTIONAL)
KT-0072*



**Table 23. Cleanliness Kit, Parts List (OPTIONAL)
KT-00072**

Item.	Description	Reference	Qty.
1	Gun Adapter	GU-02138-00	1
2	Manual Valve Unit	GU-02020-00G	2
3	Input Block Screw	GU-04036	1
4	Male Adapter	RA-00108	1
5	2 Lts. Pressurized tank (Standard)	BI-00007-2	1
	10 Lts. Pressurized tank (Optional)	BI-00007-10	1
6	0.5 mts Air Hose	MA-00097	1
7	Plug	RA-00328	1
8	10 mts. Cleanliness Hose	MA-00063	1

N.B.:

Consult the Marketing department for delivery times for these elements.



CONTENTS

Warranty	2
Safety and Handling	3
Standard Final Assembly	4
Ball Valve Final Assembly (OPTIONAL)	6
Direct Input Final Assembly (OPTIONAL)	8
Air Cylinder and Grip Assembly	10
Magnetic Switch Assembly (OPTIONAL)	13
Assembly for Timer (OPTIONAL)	15
Assembly for Auto Version (OPTIONAL)	17
Round Fan Assembly	19
Flat Fan Assembly	22
Static Mixer Assembly (OPTIONAL)	25
Assembly Pour Adapter (OPTIONAL)	31
Recirculation Kit (OPTIONAL)	32
Cleanliness Kit (OPTIONAL)	34
Contents	36
List of Figures	37
List of Tables	38



LIST OF FIGURES

Figure 1. Standard Final Assembly, Master II Gun	4
Figure 2. Ball Valve Final Assembly (OPTIONAL)	6
Figure 3. Direct Input Final Assembly (OPTIONAL)	8
Figure 4. Air Cylinder and Grip Assembly	10
Figure 5. Magnetic Switch Assembly (OPTIONAL)	13
Figure 6. Assembly for Timer (OPTIONAL)	15
Figure 7. Assembly for Auto Version (OPTIONAL)	17
Figure 8. Round Fan Assembly	19
Figure 9. Flat Fan Assembly	22
Figure 10. Static Mixer Assembly (OPTIONAL)	25
Figure 11. Assembly Pour Adapter (OPTIONAL)	31
Figure 12. Recirculation Kit (OPTIONAL)	32
Figure 13. Cleanliness Kit, Parts List (OPTIONAL)	34



LIST OF TABLES

Table 1. Standard Final Assembly Parts List	4
Table 2. Ball Valve Final Assembly Parts List (OPTIONAL)	6
Table 3. Direct Input Final Assembly Parts List (OPTIONAL)	8
Table 4. Air Cylinder and Grip Parts List	11
Table 5. Magnetic Switch Assembly Parts List (OPTIONAL)	14
Table 6. Assembly for Timer Parts List (OPTIONAL)	16
Table 7. Assembly for Auto Version Parts List (OPTIONAL)	18
Table 8. Round Fan Assembly Parts List	19
Table 9. List of Components depending on Round Chamber Production	20
Table 10. List of Components Included in Round Mixing Chamber Assy	21
Table 11. Flat Fan Assembly Parts List	23
Table 12. Parts List for Flat Chambers with Standard TIP, depending on Production	23
Table 13. List of Components Included in Flat Mixing Chamber Assy	24
Table 14. Static Mixer Assembly Parts List (OPTIONAL)	26
Table 15. Static Mixer Parts List, depending on Production.	27
Table 16. List of Standard TIP Sizes	28
Table 17. Reversible TIP Sizes	28
Table 18. List of Standard Mixer and Standard Mixer Sleeve depending on Length	29
Table 19. List of Labyrinth Mixer and Labyrinth Mixer Sleeve depending on Length	29
Table 20. List of Cleaning Drills	30
Table 21. Assembly Pour Adapter Parts List (OPTIONAL)	31
Table 22. (OPTIONAL) Recirculation Kit, Parts List	33
Table 23. Cleanliness Kit, Parts List (OPTIONAL)	35