

# ST1™

## Gun Cleaning Kit

### Instructions



### Table of contents

Section	Page
Safety	2
Cleaning Kit Contents	3
Cleaning Recommendations	5

---

## SAFETY PRECAUTIONS

REFER TO ST1 SPRAY GUN USER MANUAL (PN 336742) FOR INSTRUCTIONS ON REMOVING SPRAY GUN FOR SERVICING, REGULAR MAINTENANCE AND/OR CLEANING.

### WARNING

**Before servicing gun engage Safety Stop, close manifold valves, relieve fluid pressure, remove air line QD, and remove gun from manifold.**

#### WHEN CLEANING ST1 SPRAY GUN:

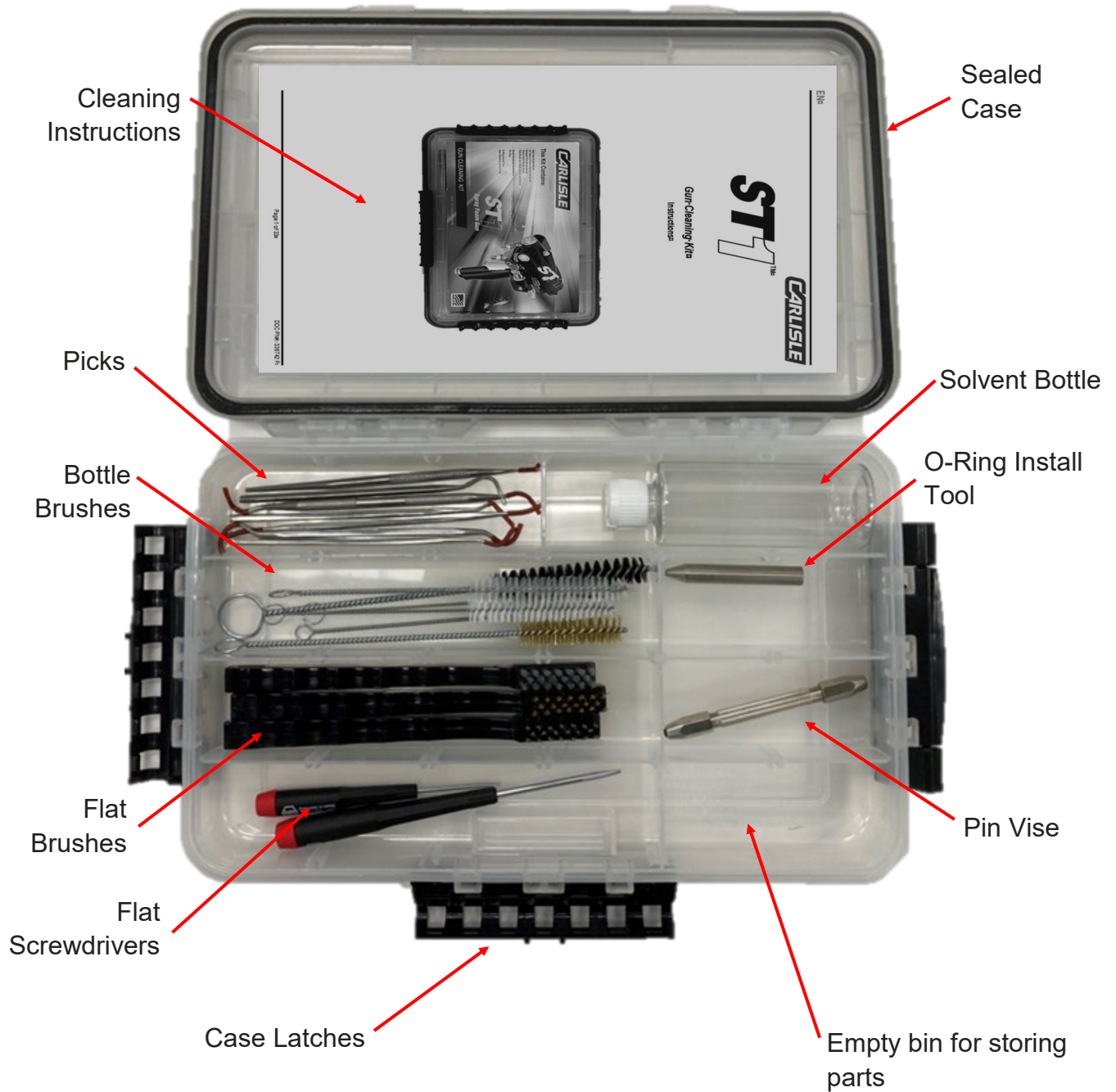
- Always wear appropriate personal protective equipment and cover exposed skin when servicing the ST1 Spray Gun. Protective equipment helps prevent serious injury, including long-term exposure; inhalation of toxic fumes from cleaning solvents, mists or vapors; allergic reaction; burns; eye injury and hearing loss. This protective equipment includes but is not limited to:
  - ◇ A properly fitting respirator, which may include a supplied-air respirator, chemically impermeable gloves, protective clothing and foot coverings as recommended by the fluid manufacturer and local regulatory authority.
  - ◇ Protective eyewear and hearing protection.

#### TOXIC FLUID OR FUMES HAZARD

- Toxic fluids or fumes from cleaning solvents or Spray Foam chemicals can cause serious injury if splashed in the eyes or on skin, inhaled or swallowed.
- Isocyanate (ISO) are catalysts used in two component materials and are resident in the ST1 gun after removal for service. Avoid all skin contact with isocyanates.
- Read all Safety Data Sheet (SDS) for handling instructions and to know the specific hazards of the fluids you are using, including the effects of long-term exposure.
- When spraying, servicing equipment, or when in the work area, always keep work area well ventilated and always wear appropriate personal protective equipment.
- Store hazardous fluid in approved containers, and dispose of it according to applicable guidelines

# CLEANING KIT CONTENTS

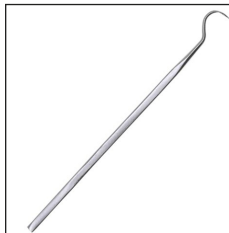
The ST1 Cleaning Kit contains brushes, picks, and tools that are helpful for cleaning and/or rebuilding the ST1 Spray Gun. Refer to the ST1 Spray Gun Manual for additional information on ST1 regular maintenance, parts, and tools.



## CLEANING KIT CONTENTS (see following page for port locations)



1/2" Nylon tapered bottle brush for cleaning side seal ports (location 1).



Dental pick. Helpful for removing O rings from internal components.



1/2" Nylon bottle brush for cleaning trigger valve port (location 4).



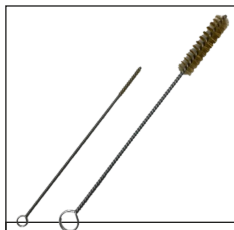
Screwdriver Slotted (2mm & 3.5mm). Used to remove check valve assemblies from spray gun head, remove balls and springs from check valves and side seals.



1/8" Nylon bottle brush for cleaning trigger valve stem hole (location 4A).



Pin vise for holding cleanout drills (drills purchased separately).



1/2" & 1/8" Brass bottle brushes for cleaning exhaust ports 5 and 5A, respectively.



336740 O-Ring Install Tool - Used to assist installation of O-Rings (item 35) onto the Valve Stem (item 36).



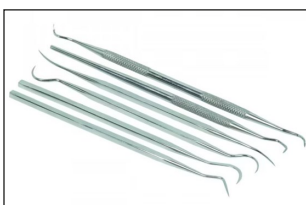
5/8" Nylon tapered bottle brush for cleaning check valve port (location 2).



Clear 4 oz bottle 4oz. Used to hold solvent (not included). Helpful for small parts cleaning (soak in solvent, shake, remove).



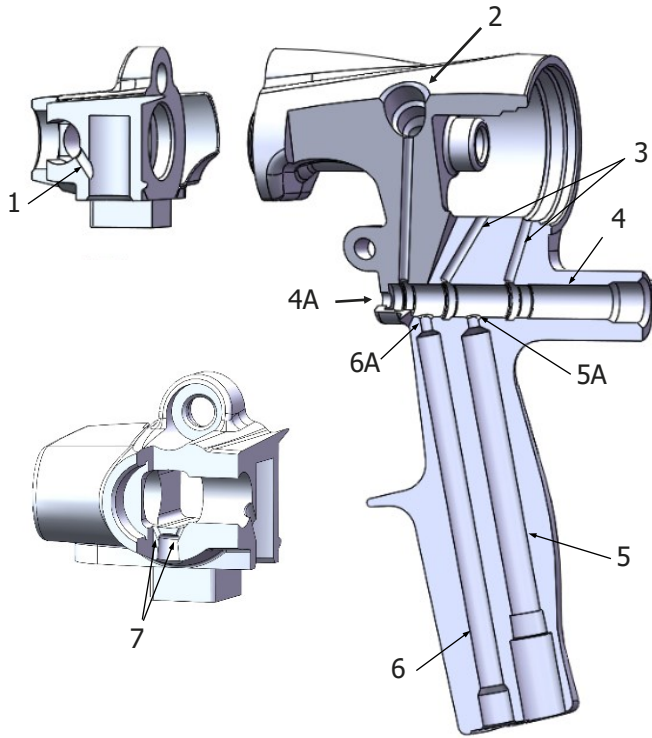
Flat brush set: Nylon, Brass, Steel - Used for cleaning external surfaces and small parts.



Pick set. Used to remove cured foam from threads and other confined areas.

## CLEANING RECOMMENDATIONS

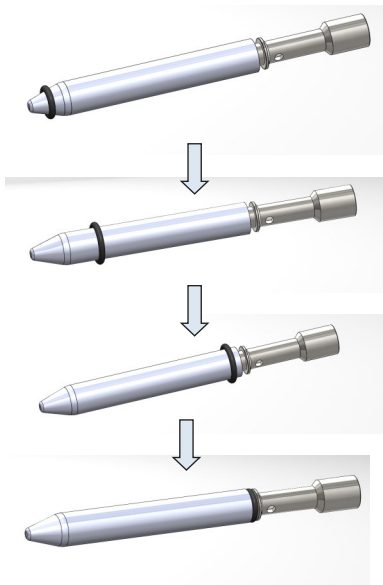
**Internal port locations.** Note some ports require drills for cleanout (see ST1 Spray Gun Manual for cleanout drill sizes).



Port Locations

### 336740 O-RING INSTALLATION TOOL

Use this tool to avoid damaging O rings installed on Valve Stem and Rod & Piston Assembly. Apply grease to O rings and air valve port when installing and assembling. .



Use Dynasolve CU-6, N Methyl Pyrrolidone (NMP), Dzolv, or equivalent to soften cured material.

### CAUTION

These solvents are not to be used for flushing.

#### Cleaning Recommendations:

- Use Dynasolve CU-6, N Methyl Pyrrolidone (NMP), Dzolv, or equivalent to soften cured foam material. **NOTE: The cleaning solvent is not recommended for flushing.**
- Clean the chamber and mix tip using correct drill bit. Soak in Dynasolve CU-6 or equivalent to soften cured material. **NOTE: the drill bit may be dipped in solvent to aid in cleaning.**
- Clean the muffler — soak in compatible solvent.
- Always lightly grease O-rings and ports with ST1 gun grease when reassembling.
- Apply a release agent or light coat of grease to the outside of the gun prior to spraying to make cleaning easier.
- To keep the ST1 gun clean, always use an ST1 gun cover (PN 33)
- Clean fluid manifold — Keep sealing faces clean when manifold is removed from gun. Use a compatible solvent. Do not scratch or damage the sealing faces. Apply a film of ST1 gun grease to the manifold port openings.